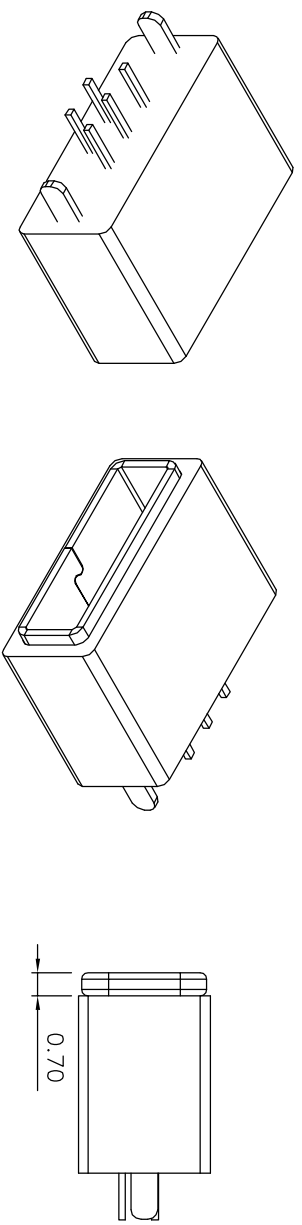
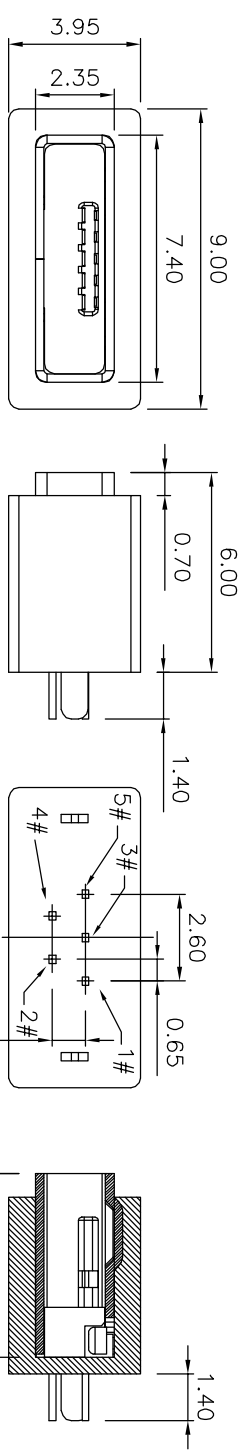
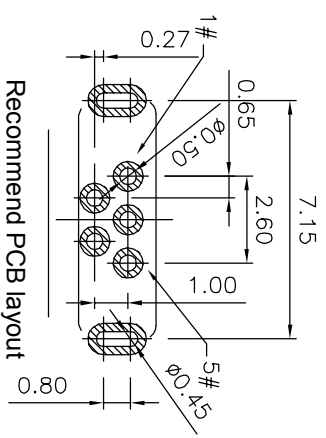


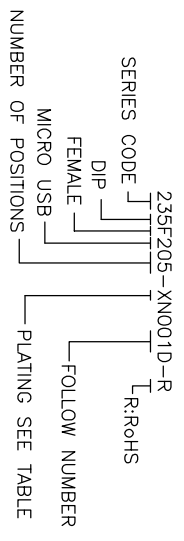
REV.	DESCRIPTION	DATE
1	PRELIMINARY	Oct.20, 2018



Contact Number	Signal Name	Remarks
1#	VBUS	Power
2#	D-	Date-
3#	D+	Date+
4#	ID	Reserve or Gound
5#	GND	Gound



PART NUMBER INFORMATION :



- SPECIFICATION**
- CURRENT RATING: 1A MAX.
 - DIELECTRIC WITHSTANDING VOLTAGE: 100V AC R.M.S. FOR 1 MINUTE.
 - INSULATION RESISTANCE: 100MΩ MIN.
 - CONTACT RESISTANCE: 50mΩ MAX.
 - OPERATING TEMPERATURE: -30°C TO +80°C.
 - DURABILITY : 10000 CYCLES.
 - MATING FORCE : 3.57kgf MAX.
 - UNMATING FORCE : 1.0 Kgf MIN.
- AFTER TEST : 0.81~2.05 Kgf MIN.

DESCRIPTION OF PLATING ON TERMINALS			
NO.	EXPLAIN	NO.	EXPLAIN
0	GOLD FLASH	6	GOLD 30u"
3	GOLD 15u"		

TOLERANCE		DRAWER	
0. =±0.40		2324L	
.0 =±0.30		CHECK	33912320 91L
.00 =±0.20		APP'D	33912320 91L
.000 =±0.10		PRODUCT SPEC.	
ANG. =±3'		NAME	MICRO USB TYPE FEMALE DIP TYPE
UNITS : mm		DRAW NO.	
SCALE NONE		235F205-XND01D-R	
SIZE A4		SHEET 1 OF 1	
		REV. 1	



ASTREON TECHNOLOGY CORP.