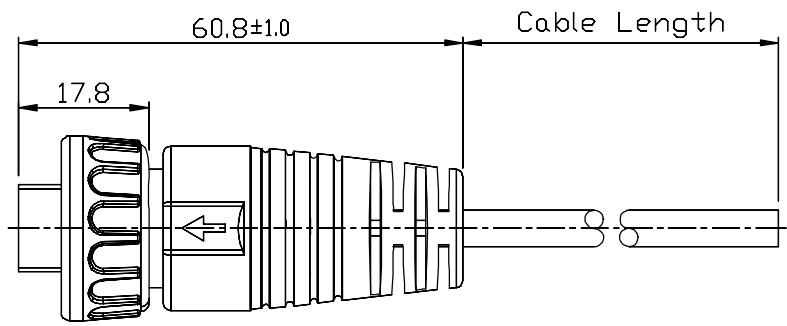
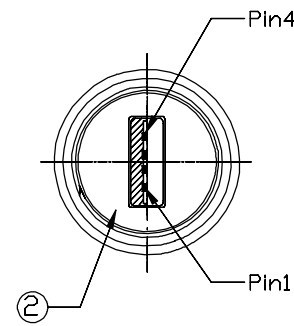
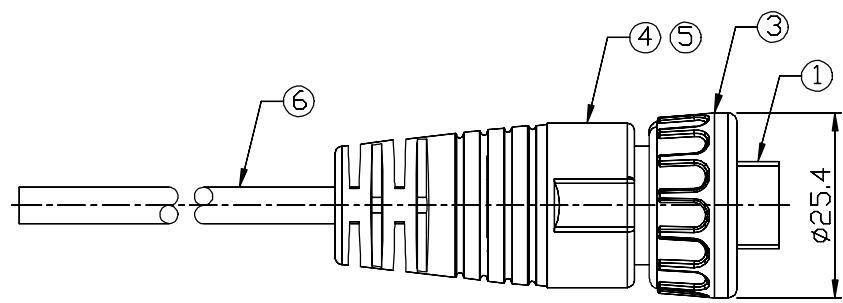


REV.	DESCRIPTION	DATE
A	RELEASE	Oct.10, 2018



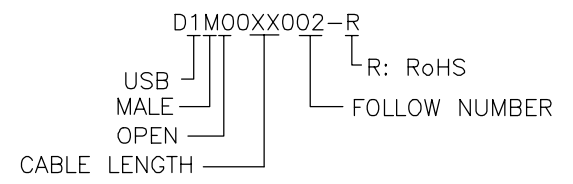
1	Red
2	White
3	Green
4	Black
Shell	Drain

Wiring Diagram

Part No.	Cable Length	Tol.
D1M0005002-R	500 mm	±40
D1M0010002-R	1000 mm	±50
D1M0020002-R	2000 mm	±100
D1M0030002-R	3000 mm	±150
D1M0040002-R	4000 mm	±200
D1M0050002-R	5000 mm	±250
D1M0060002-R	6000 mm	±300
D1M0070002-R	7000 mm	±350
D1M0080002-R	8000 mm	±400
D1M0090002-R	9000 mm	±450
D1M0000002-R	10000 mm	±500

Notes:(Unless Otherwise Specified)  
 1. Waterproof Rate: IPX7(Mating)  
 2. RoHS Compliance.

Part Number Information:



Materials:

Item	Part Name	Material/Finish	Q'ty
1	USB-A Plug	Shell: Cold Roll Steel Finish: Ni Plated	1
		Hosing: Thermal Plastic Color: Black	1
		Contacts: Copper Alloy Finish: Au Plated	4
2	Rubber Pad	Silicone Color: Black	1
3	Screw Nut	Thermal Plastic Color: Black	1
4	Inner Mold	Thermal Plastic Color: Black	1
5	Over Mold	PVC Color: Black	1
6	Cable	UL 2725 1P*28#+2C*24#+Al/My+D+B ØD=5.0mm,UV Resistance Color: Black	1

<b>TOLERANCE</b> .0=±0.50 .00=±0.20 .000=±0.05 ANG.=±1°	<b>DRAWER</b> <i>EXER</i>	 ASTRON TECHNOLOGY CORP.
	<b>CHECK</b> <i>JFONY</i>	
 UNITS : mm	<b>APP'D</b> <i>JFONY</i>	<b>DRAW NO.</b> D1M00XX002-R
	<b>PRODUCT SPEC.</b> —	<b>SHEET</b> 1 OF 1
<b>SCALE</b> NONE	<b>SIZE</b> A5	<b>REV.</b> A