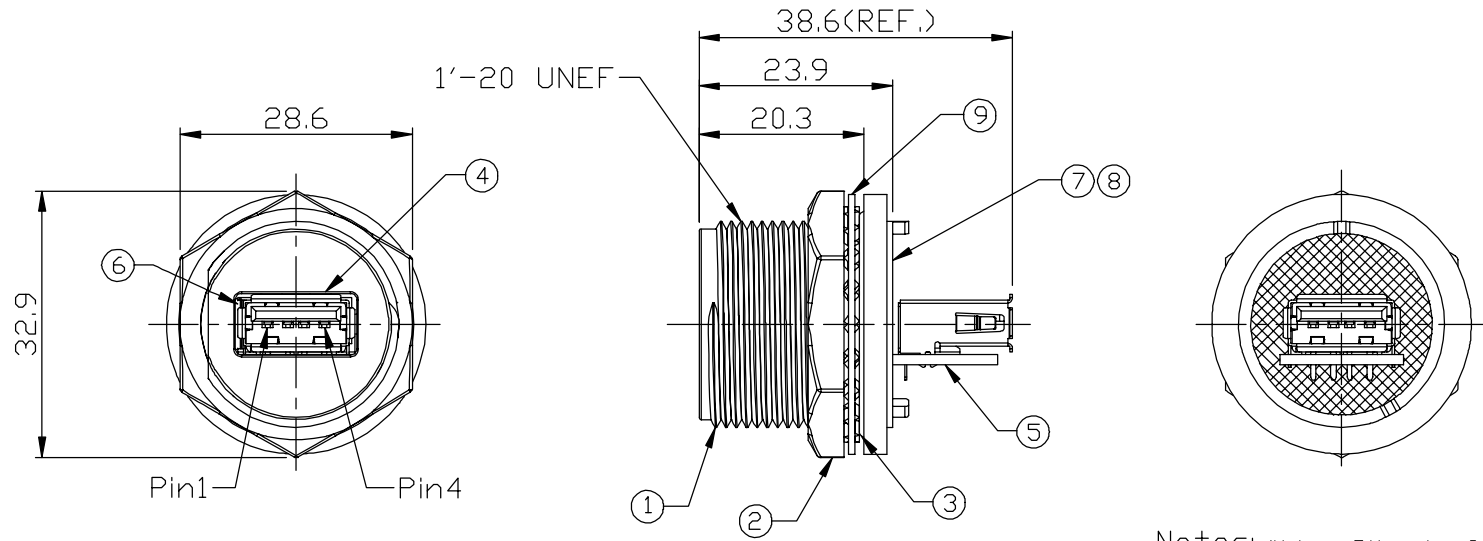


REV.	DESCRIPTION	DATE
A	RELEASE	Sep.03, 2018

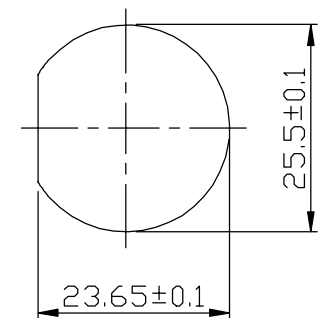


Notes: (Unless Otherwise Specified)

1. Waterproof Rate: IP68.
2. Recommend Panel Thickness: 0.8 to 8.0 mm.
3. Recommend Torque: 19~20 Kgf-cm.
4. RoHS Compliant.

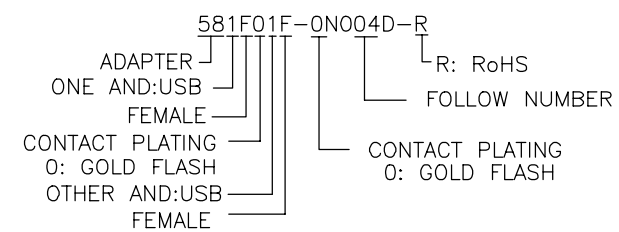
Materials:

9	Metal Washer	Stainless Finish: —	1
8	Glue	Epoxy Color: Black	1
7	Holder	Thermoplastic Color: Black	1
6	EMI Shielded Plate	Copper Alloy Finish: Ni Plated	1
5	PCB	FR-4 Color: —	1
4	USB-A Receptacle	Housing: Thermoplastic, Color: Black Contacts: Copper Alloy, Finish: Au Plated Shell: Copper Alloy, Finish: Ni Plated	2
3	□-Ring	Silicone Color: Red	1
2	Hex Nut	Zn Alloy Finish: Ni Plated	1
1	Housing	Zn Alloy Finish: Ni Plated	1
Item	Part Name	Material / Finish	Q'ty



Recommend Panel Cut-Out

Part Number Information:



TOLERANCE .0=±0.50 .00=±0.20 .000=±0.05 ANG.=±1°		DRAWER <i>EXER</i>		 ASTRON TECHNOLOGY CORP.
 UNITS : mm		CHECK <i>JYUNY</i>		
SCALE NONE		APP'D <i>JYUNY</i>		NAME ADAPTER CONNECTOR USB-A METAL C4 TO USB-A ,SCREW
SIZE A5		PRODUCT SPEC. —		DRAW NO. R581F01F-0N004D-R
SHEET 1 OF 1		REV. A		