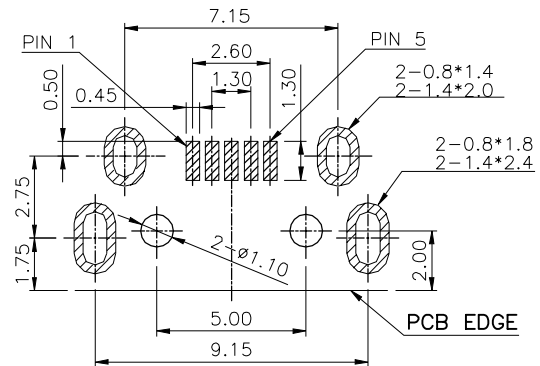
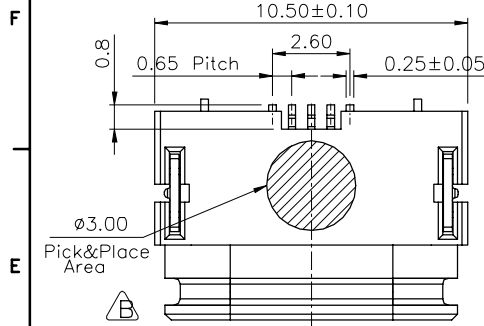
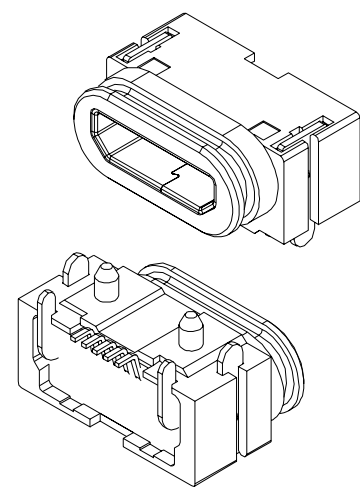


REV.	DESCRIPTION	DATE
A	N16'08005	Aug 16, 2016
B	N17'09001	Sep 09, 2017



RECOMMEND PCB LAYOUT
TOLERANCE: ±0.05
TOP VIEW

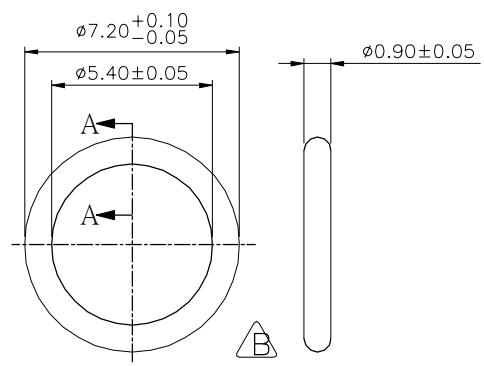
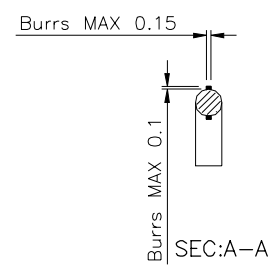
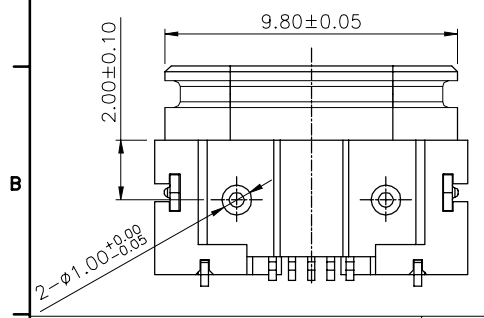
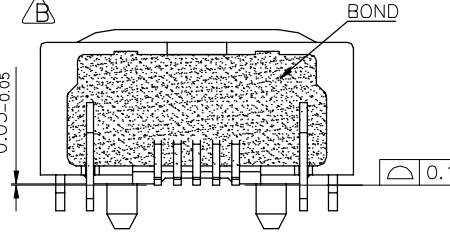
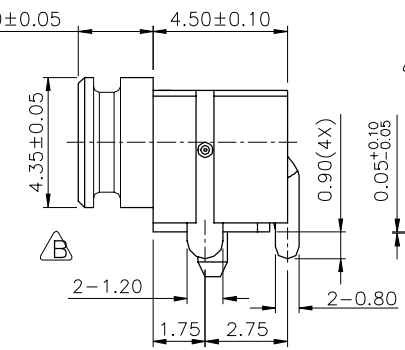
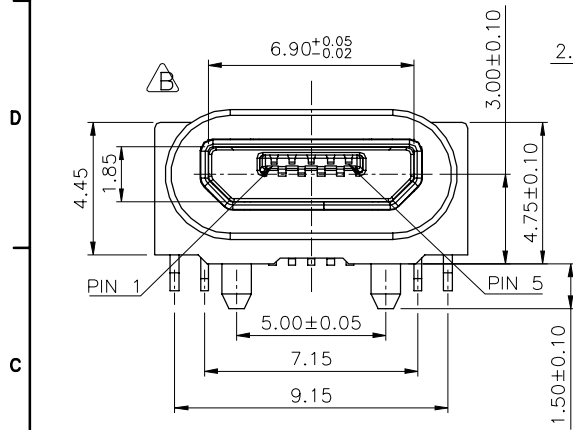


MATERIALS

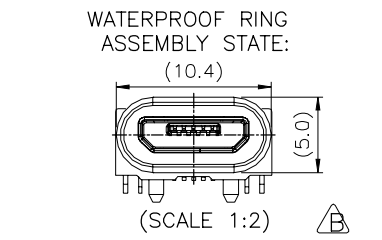
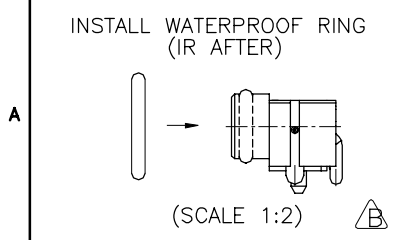
- HOUSING : LCP (UL 94V-0) BLACK.
- COVER : PA9T (UL 94V-0) BLACK.
- TERMINAL : COPPER ALLOY,
PLATING : GOLD PLATED ON CONTACT AREA, IN PLATED ON SOLDER TAILS.
- SHELL : STEEL,
PLATING : NICKEL PLATED OVERALL.
- STATOR : SPCC,
PLATING : TIN PLATED OVERALL.

SPECIFICATION

- CURRENT RATING : 1.8A (PIN1/5), 0.5A (PIN2/3/4)
- DIELECTRIC WITHSTANDING VOLTAGE :
500V AC R.M.S. FOR 1 MINUTE.
- INSULATION RESISTANCE : 1000MΩMIN.AT 500V DC.
- CONTACT RESISTANCE : 30mΩ MAX.
- OPERATING TEMPERATURE : -40°C TO +85°C.
- INSERTION FORCE : 3.6 KGF (MAX)
- WITHDRAWAL FORCE : 0.8 KGF(Reference)
- DURABILITY: 10,000 CYCLES .
- WATER PROOFNESS:THIS PRODUCT IS BASED ON IPX7



239F205-XN005D-R
 SERIES CODE
 SMT
 FEMLAE
 NUMBER OF POSITIONS
 R:RoHS
 FOLLOW NUMBER
 PLATING SEE TABLE



DESCRIPTION OF PLATING ON TERMINALS			
NO.	EXPLAIN	NO.	EXPLAIN
0	GOLD FLASH	3	GOLD 15u"
6	GOLD 30u"		

TOLERANCE .0=±0.25 .00=±0.15 .000=±0.05 ANG.=±3°	DRAWER CHECK	 ASTRON TECHNOLOGY CORP.	
	APP'D		NAME
 UNITS : mm	PRODUCT SPEC.	MICRO USB WATERPROOF CONNECTOR	
SCALE NONE	SIZE A8	SHEET 1 OF 1	REV. B
		DRAW NO. 239F205-XN005D-R	