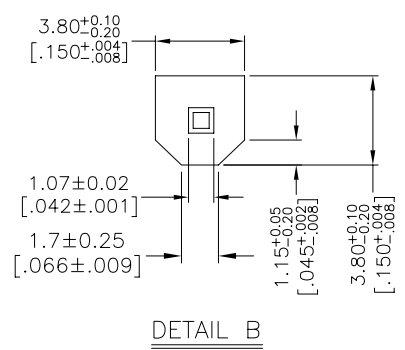
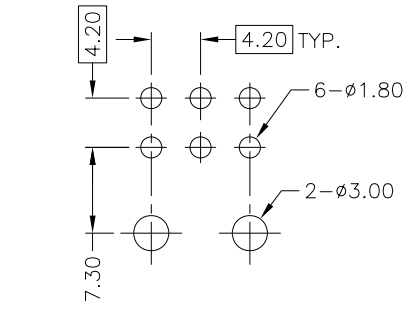
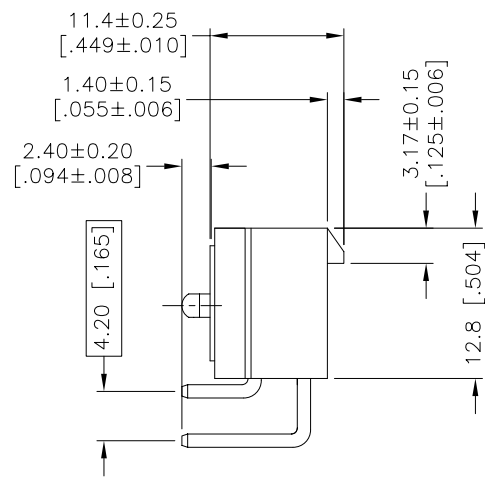
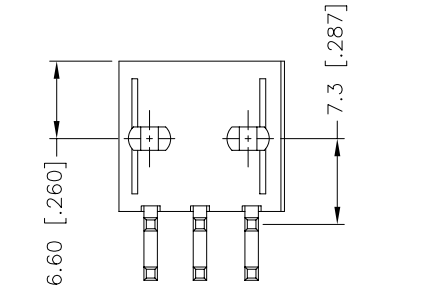
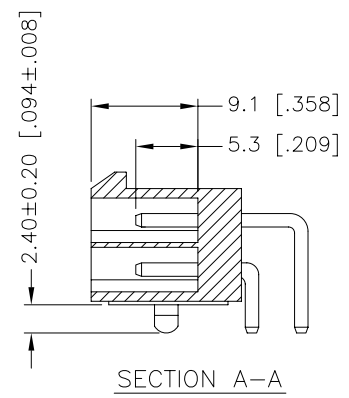
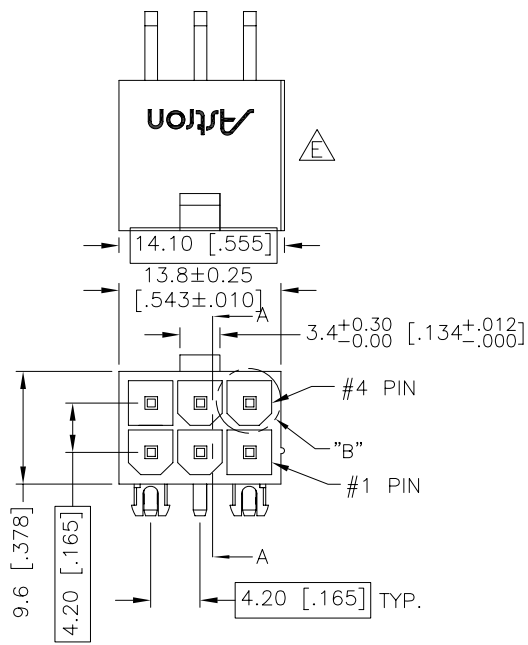


REV.	DESCRIPTION	DATE
A	RELEASE	Jun 16, 2008
B	08'0646	Jun 26, 2008
C	08'0847	Aug 27, 2008
D	09'1013	Oct 15, 2009
E	09'1031	Oct 27, 2009



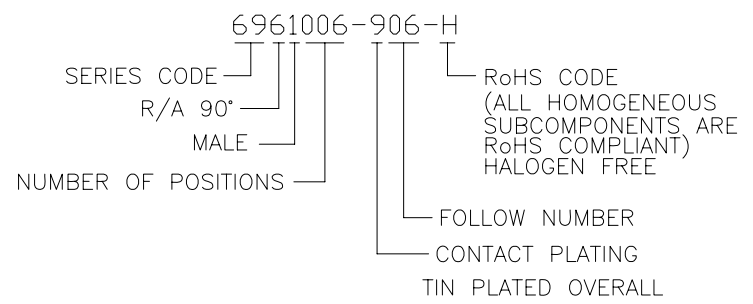
MATERIALS

- HOUSING : HI.-TEMP.PLASTIC(UL 94V-0), BLACK.
- TERMINAL : COPPER ALLOY.
TIN PLATED OVERALL.

SPECIFICATION

- CURRENT RATING : 8 A MAX.
- DIELECTRIC WITHSTANDING VOLTAGE :
1500V AC R.M.S. FOR ONE MINUTE
- INSULATION RESISTANCE : 1000MΩ MIN.
AT 1000V DC.
- CONTACT RESISTANCE : 30mΩ MAX.
- OPERATING TEMPERATURE : -40° TO 105°C
- VOLTAGE RATING : 600V AC R.M.S.
- MAX. PROCESSING TEMPERATURE :
230°C FOR 60 SECONDS.
260°C FOR 10 SECONDS.

PART NUMBER INFORMATION



TOLERANCE .0=±0.30 [.012] .00=±0.20 [.008] .000=±.XXX .0000=±. ANG.=±3°		DRAWER <i>stony</i> CHECK <i>Linguan</i> APP'D <i>Rex</i>		 ASTRON TECHNOLOGY CORP. NAME POWER CONNECTOR 6P 4.20mm PITCH, W/AT LOGO R/A TYPE L=2.4mm(Halogen Free)	
UNITS : mm [inch]		PRODUCT SPEC.			
SCALE NONE	SIZE A4	SHEET 1 OF 1	REV. E	ZX,YS	

RECOMMEND P.C.B. LAYOUT
 TOLERANCE ±0.05
 TOP VIEW

DETAIL B