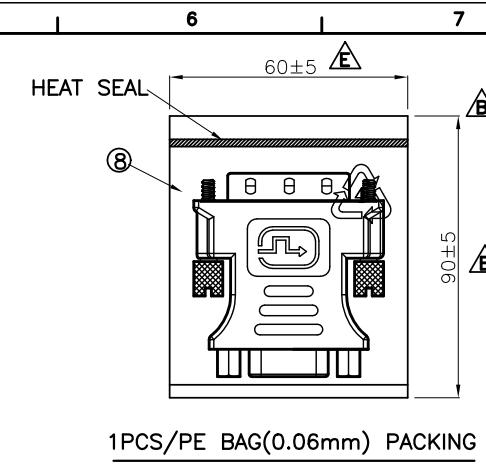
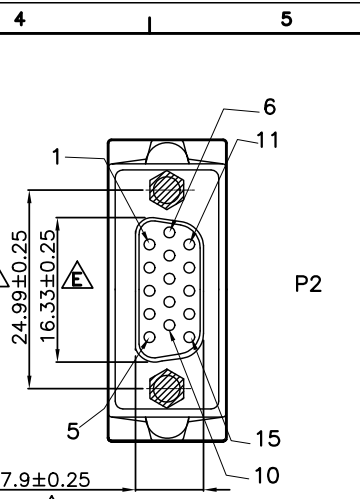
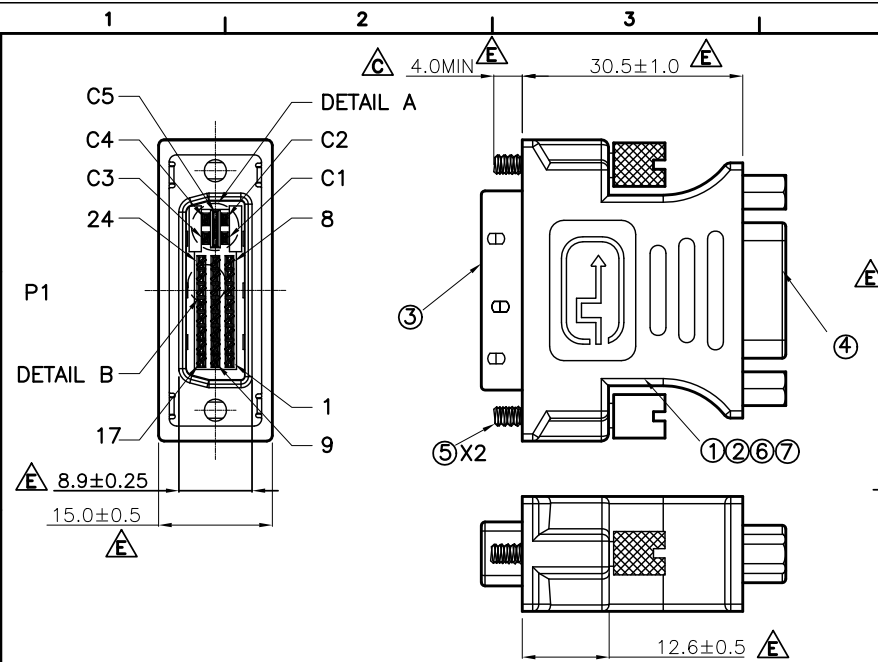


REV.	DESCRIPTION	DATE
C	11'0509	May 06, 2011
D	11'0526	May 24, 2011
E	11'0832	Aug 18, 2011



1PCS/PE BAG(0.06mm) PACKING

**WIRE LIST:**

P1	P2
C1	1
C2	2
C3	3
15	5
	10
C5	6
	7
14	8
16	9
7	12
C4	13
8	14
6	15
SHELL	SHELL

**NOTES:**

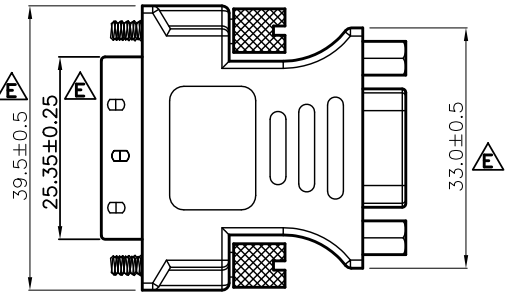
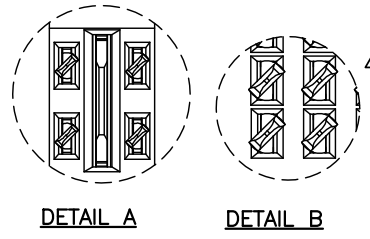
1.360° SINGLE ELECTRIC COPPER FOIL AFTER INNER AND 360° SOLDER MOLDING

**SPECIFICATION**

- CURRENT RATING : 1.5 A MAX.
- DIELECTRIC WITHSTANDING VOLTAGE : 500V AC R.M.S. FOR ONE MINUTE.
- CONTACT RESISTANCE : 1Ω MAX.
- INSULATION RESISTANCE : 50 MΩ MIN. AT 500V DC.
- OPERATING TEMPERATURE : -25°C TO +85°C.

**PART NUMBER INFORMATION :**

5850015-0XX-X  
 SERIES CODE: R:RoHS, H:HALOGEN FREE  
 FEMALE: FOLLOW NUMBER  
 NUMBER OF POSITIONS: 47:DVI INSULATOR WHITE, 48:DVI INSULATOR BLACK  
 PLATING SEE TABLE



ITEM	NAME	DESCRIPTION	Q'TY
8	PE BAG	PE BAG:60*90*0.06mm	1PCS
7	PVC	MOLDED 45 TPE BLACK	1PCS
6	COPPER FOIL	20U' COPPER FOIL+20U'AL FOIL	1PCS
5	SCREW	SCREW #4-40UNC,L=#6.8*25.6mm NICKEL PLATED	2PCS
4	CONN.	HDD 15P FEMALE CONNECTOR SOLDER TYPE CONTACT GOLD FLASH.INSULATOR BLUE(2004-04).FRONT SHELL NICKEL PLATED BACK SHELL TIN PLATED	1PCS
3	CONN.	DVI 24+5 MALE CONNECTOR SOLDER TYPE CONTACT GOLD FLASH INSULATOR BLACK/WHITE.FRONT SHELL NICKEL PLATED BACK SHELL TIN PLATED	1PCS
2	CABLE	HOOK UP WIRE:NO-UL 28AWG*1C TINNED COPPER WIRE, INSULATION:YELLOW OD=0.9±0.1mm.L=22±1mm.	7PCS
1	CABLE	HOOK UP WIRE:NO-UL 28AWG*1C TINNED COPPER WIRE, INSULATION:BLACK OD=0.9±0.1mm.L=17±1mm.	4PCS

DESCRIPTION OF PLATING ON TERMINALS			
NO.	EXPLAIN	NO.	EXPLAIN
0	GOLD FLASH	3	GOLD 15u"
1	GOLD 5u"	4	GOLD 20u"
2	GOLD 10u"	6	GOLD 30u"

TOLERANCE .0=±0.38 .00=±0.25 .000=±0.10 ANG.=±3°	DRAWER 3.1/1/15 CHECK JY01/17	 <b>Astron</b> ASTRON TECHNOLOGY CORP.
UNITS : mm	APP'D JY01/17	
SCALE NONE	SIZE A4	NAME DVI 24+5/M TO HDD 15/F ADAPTER
SHEET 1 OF 1	REV. E	DRAW NO. R5850015-047-R