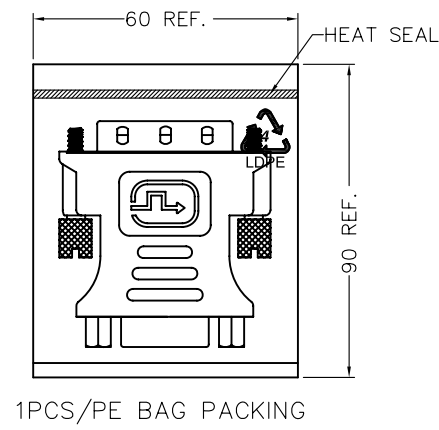
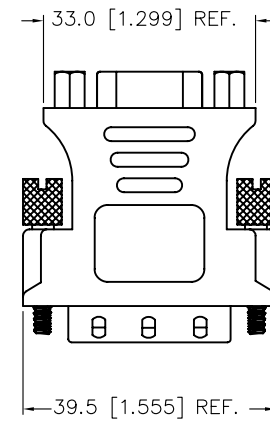
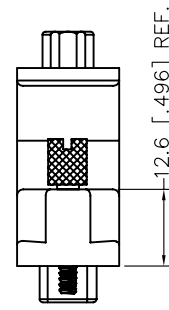
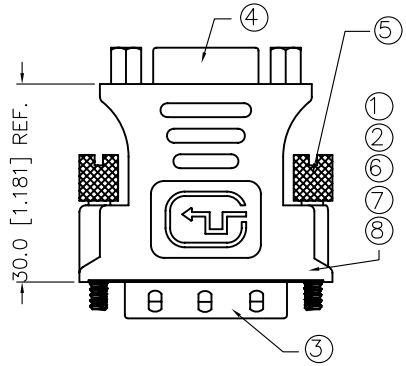
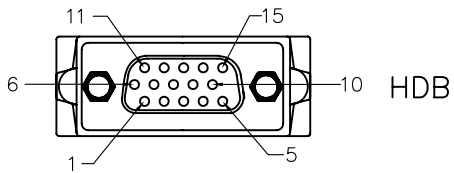
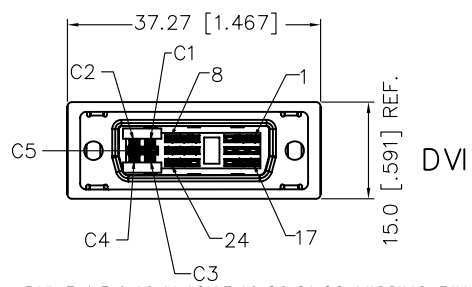
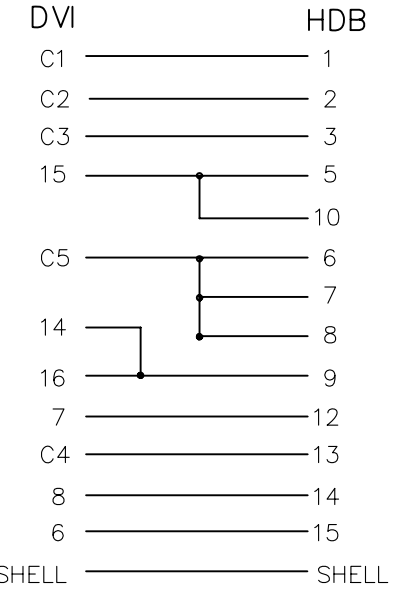


REV.	DESCRIPTION	DATE
A	RELEASE	Dec 10, 2009



1PCS/PE BAG PACKING

PIN ASSIGNMENT

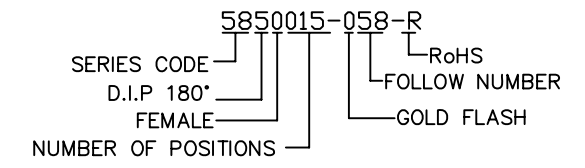


ELECTRONIC TEST CONDITION:
 100% OPEN SHORT & MISWIRE TEST.
 CONTACT RESISTANCE:1Ω /MAX
 INSULATION RESISTANCE:20M /MIN.AT DC 300V

DVI 3,4,5,9,10,11,12,13,19,20,21,22 MISSING PIN

ITEM	NAME	DESCRIPTION	Q'TY
⑧	COPPER FOIL	20u" COPPER FOIL:10*80mm/10*70mm	1PCS
⑦	METAL CAN	METAL CAN:TIN PLATED	1SET
⑥	PVC	MOLDED 45 PVC WHITE	1PCS
⑤	SCREW	SCREW #4-40UNC,L=ø6.8*23mm NICKEL PLATED	2PCS
④	CONN.	HDD 15P FEMALE CONNECTOR SOLDER TYPE CONTACT GOLD FLASH. INSULATOR BLUE. FRONT SHELL NICKEL PLATED BACK SHELL TIN PLATED	1PCS
③	CONN.	DVI 12+5 MALE CONNECTOR SOLDER TYPE CONTACT GOLD FLASH INSULATOR WHITE. FRONT SHELL NICKEL PLATED BACK SHELL TIN PLATED	1PCS
②	CABLE	HOOK UP WIRE:UL1061 28AWG/1C TINNED COPPER WIRE INSULATION: YELLOW PVC OD=0.9±0.1mm, L=22±1mm	7PCS
①	CABLE	HOOK UP WIRE:UL1061 28AWG/1C TINNED COPPER WIRE INSULATION:BLACK PVC OD=0.9±0.1mm, L=17±1mm	1PCS

ORDER INFORMATION :



TOLERANCE .0=±0.30 [.012] .00=±0.10 [.004] .000=±.XXX .0000=±. ANG.=±3°	DRAWER <i>Fisher</i> CHECK <i>X.2.</i> APP'D <i>Rea</i>	 ASTRON TECHNOLOGY CORP. ADAPTER CONNECTOR DVI-17M TO HDB-15F
UNITS : mm [inch]	PRODUCT SPEC.	
SCALE NONE	SIZE A4	DRAW NO. R5850015-058-R
SHEET 1 OF 1	REV. A	SR