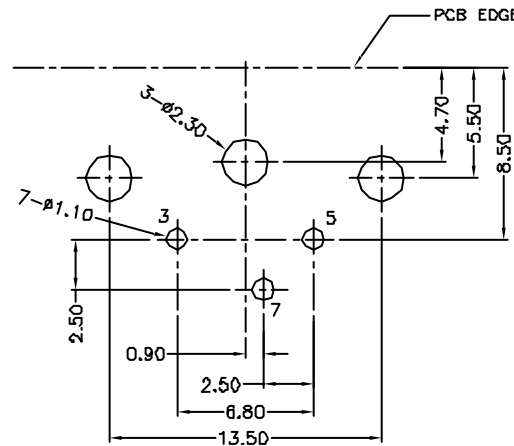
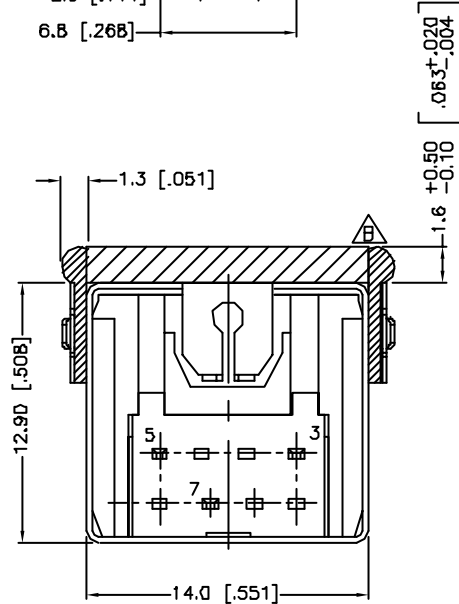
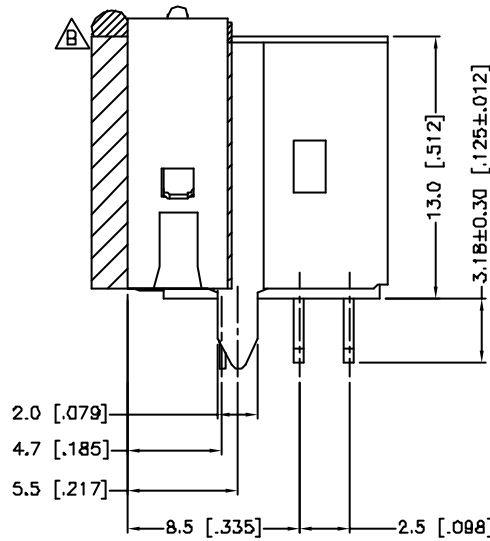
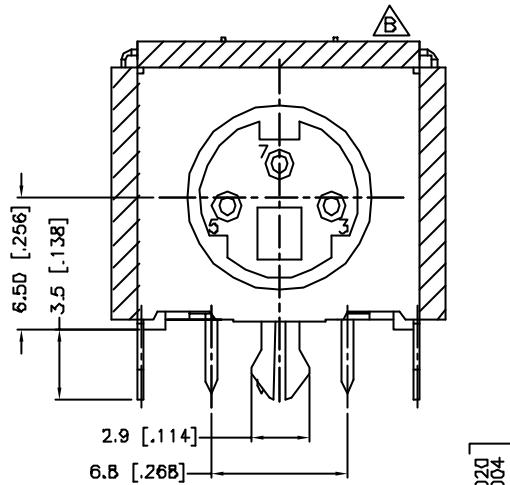


REV.	DESCRIPTION	DATE
A	RELEASE	Sep 25,2007
B	07'1168	Nov 27,2007



RECOMMEND P.C.B. LAYOUT
TOLERANCE ±0.05
TOP VIEW

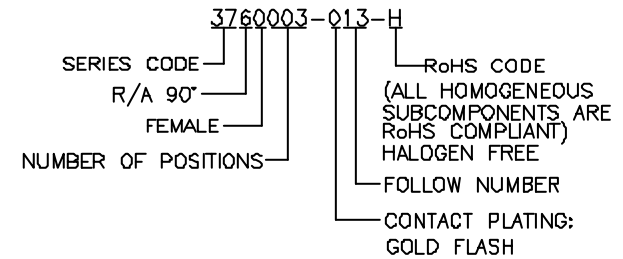
MATERIALS

1. HOUSING : HI-TEMP PLASTIC(UL 94V-0). BLACK.
2. TERMINAL : COPPER ALLOY,t=0.20mm,
GOLD PLATED ON CONTACT AREA,
TIN PLATED ON SOLDER TAIL,
NICKEL UNDER PLATED.
3. SHELL : COPPER ALLOY,t=0.30mm.
NICKEL PLATED.
4. CAP : STAINLESS ALLOY,t=0.20mm.
5. GASKET : GASKET.

SPECIFICATION

1. CURRENT RATING : 1A MAX.
2. DIELECTRIC WITHSTANDING VOLTAGE :
500V AC R.M.S. FOR ONE MINUTE.
3. INSULATION RESISTANCE :
100MΩ MIN. AT 500V DC.
4. CONTACT RESISTANCE : 30mΩ MAX.
5. OPERATING TEMPERATURE : -25°C TO +85°C.

PART NUMBER INFORMATION:



TOLERANCE .0=±.0.38 [.015] .00=±0.25 [.010] .000=±0.15 [.006] .0000=±. ANG.=±3°	DRAWER <i>Army</i> CHECK <i>Eric</i> APP'D <i>Dunkan</i> PRODUCT SPEC.	 ASTRON TECHNOLOGY CORP. NAME MINI DIN 3P FEMALE W/GASKET RoHS(Halogen Free)
UNITS : mm [Inch]	SCALE NONE SIZE A4 SHEET 1 OF 1 REV. B	