

REV.	DESCRIPTION	DATE
C	09'1255	Dec23,2009
D	10'0313	Mar12,2010
E	N14'05020	May 05, 2014

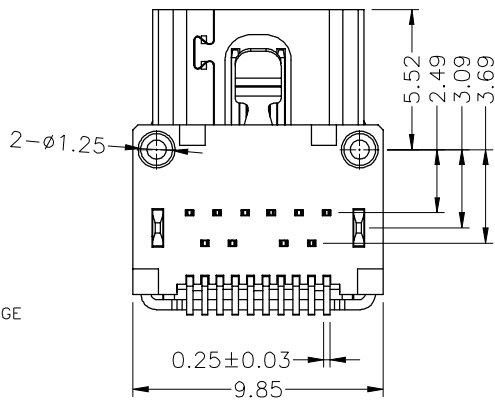
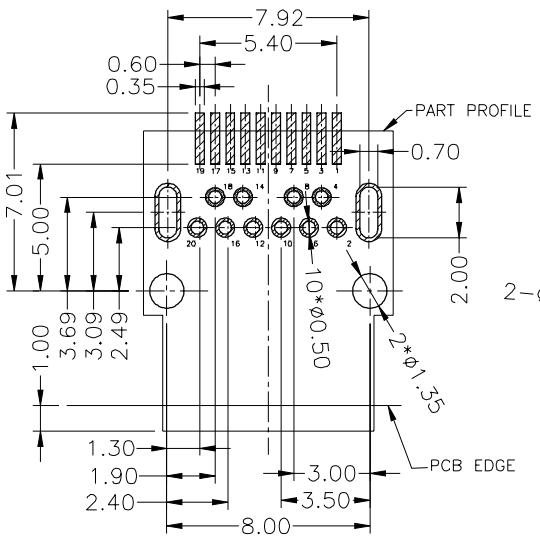
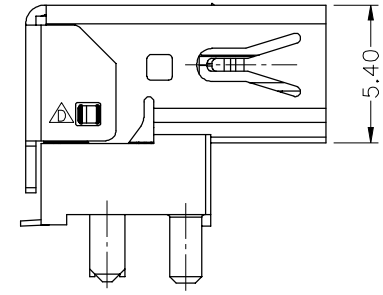
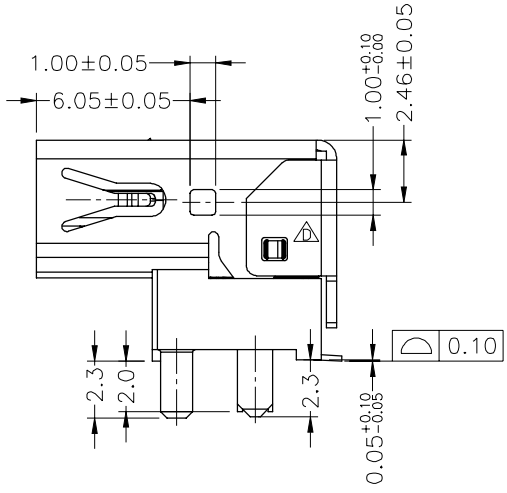
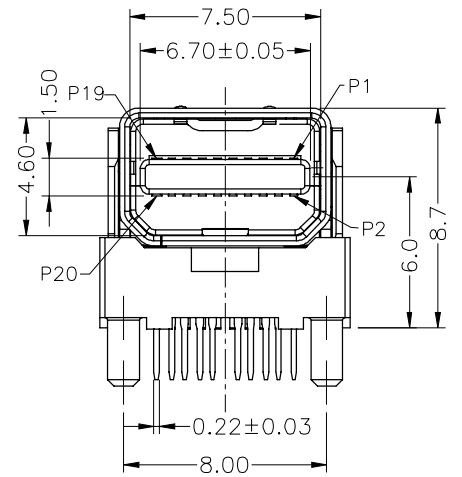
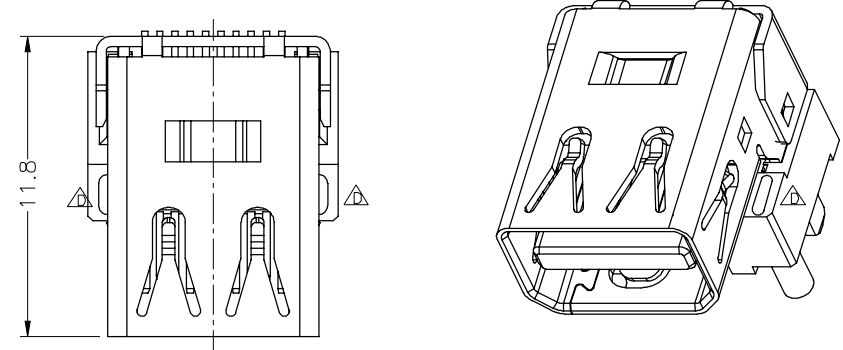
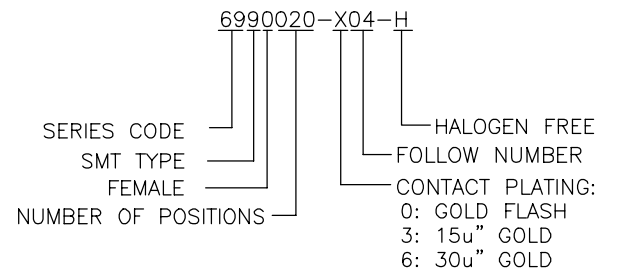
**MATERIALS**

- HOUSING : HI.-TEMP. PLASTIC (UL 94V-0) BLACK.
- TERMINAL : COPPER ALLOY(T=0.20), GOLD PLATED ON CONTACT AREA, TIN PLATED ON SOLDER TAILS, UNDER NICKEL PLATED.
- SHELL : STAINLESS STEEL(T=0.40), NICKEL PLATED.
- COVER: HI.-TEMP. PLASTIC (UL 94V-0) BLACK.

**SPECIFICATION**

- CURRENT RATING : 0.5 A.
- CONTACT RESISTANCE : 30mΩ MAX.
- DIELECTRIC WITHSTANDING VOLTAGE : 500V AC R.M.S. FOR ONE MINUTE.
- INSULATION RESISTANCE : 100MΩ MIN AT 500V DC.
- OPERATING TEMPERATURE : -25°C TO +85°C.
- DURABILITY : 10000 CYCLES.
- MATING FORCE : 4.5Kgf MAX.
- UNMATING FORCE : 1.0Kgf~4.0Kgf.

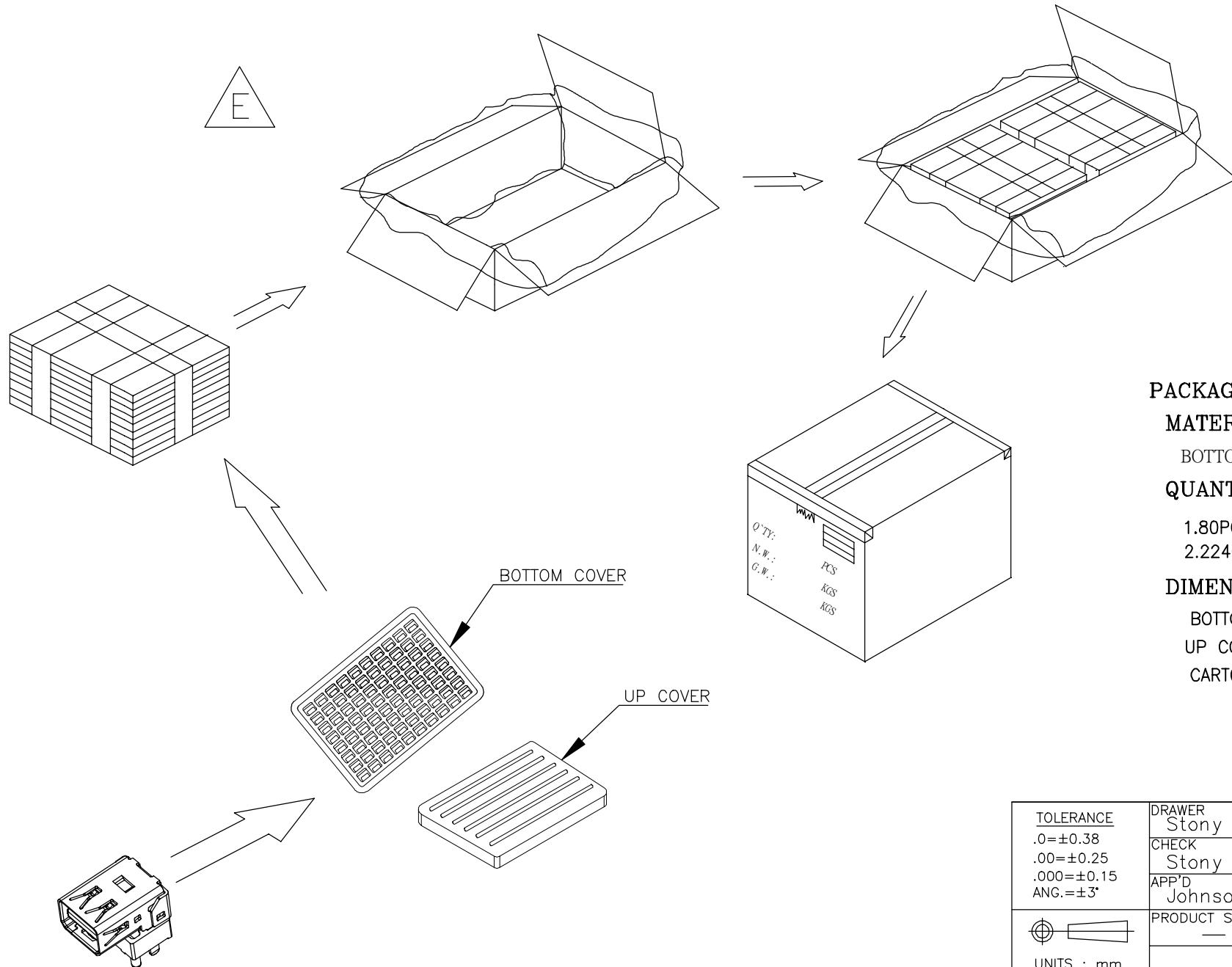
**PART NUMBER INFORMATION :**



<b>TOLERANCE</b> .0=±0.38 .00=±0.25 .000=±0.15 .0000=±. ANG.=±3'		<b>DRAWER</b> Stony	 <b>ASTRON TECHNOLOGY CORP.</b>
<b>CHECK</b> Stony		<b>NAME</b> Mini Displayport R/A DIP+SMT RECEPTACLE CONN.	
<b>APP'D</b> Johnson		<b>PRODUCT SPEC.</b> —	<b>DRAW NO.</b> R6990020-X04-H
<b>UNITS :</b> mm		<b>SCALE</b> NONE	<b>SIZE</b> A4
<b>SHEET</b> 1 OF 2		<b>REV.</b> E	

RECOMMENDED PCB LAYOUT

REV.	DESCRIPTION	DATE
C	09'1255	Dec 23,2009
D	10'0313	Mar 12,2010
E	N14'05020	May 05,2014



**PACKAGE :**  
**MATERIALS**

BOTTOM COVER&UP COVER: PVC

**QUANTITY**

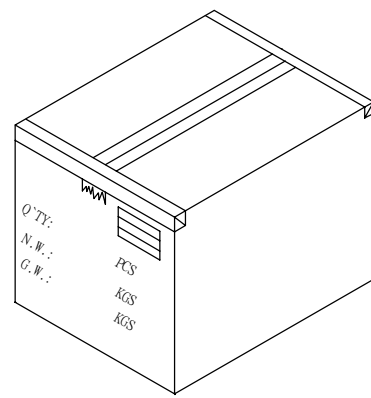
1.80PCS/TRAY  
2.2240PCS/CARTON

**DIMENSION**

BOTTOM COVER SIZE :285\*158\*13  
UP COVER SIZE: 285\*158\*13  
CARTON SIZE :340\*306\*230

BOTTOM COVER

UP COVER



<u>TOLERANCE</u>	
.0=±0.38	
.00=±0.25	
.000=±0.15	
ANG.=±3°	
UNITS : mm	
SCALE NONE	SIZE A4

DRAWER Stony
CHECK Stony
APP'D Johnson
PRODUCT SPEC. —
SHEET 2 OF 2
REV. E

<b>Astron</b> ASTRON TECHNOLOGY CORP.	
NAME	Mini Displayport R/A DIP+SMT RECEPTACLE CONN.
DRAW NO.	R6990020-X04-H