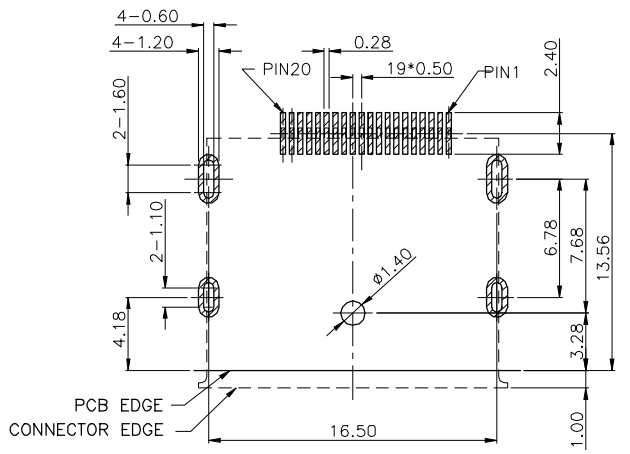
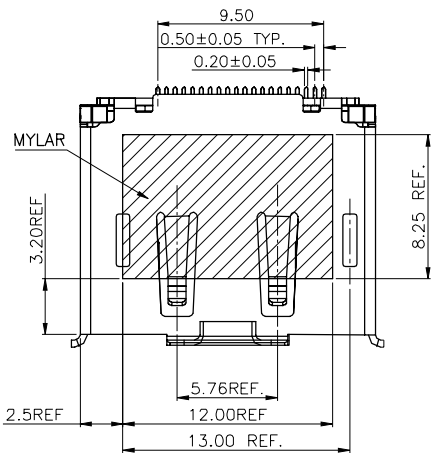
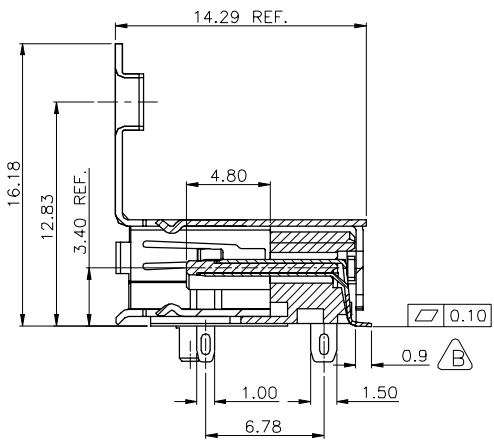
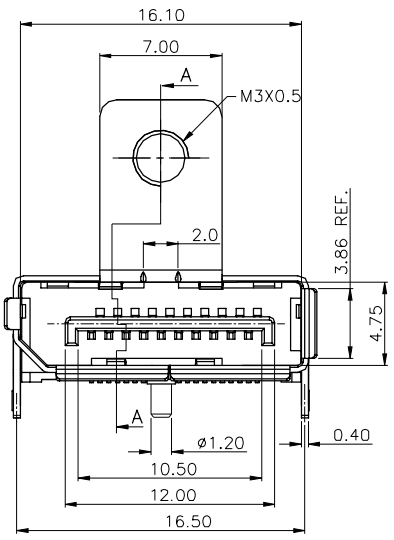


REV.	DESCRIPTION	DATE
A	N16'01002	Jan.06.2016
B	N17'04002	Apr.10.2017



RECOMMEND PCB LAYOUT
TOLERANCE: ±0.05
TOP VIEW



SECTION A-A

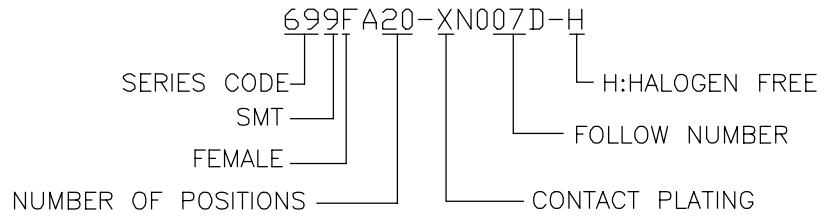
MATERIALS:

1. HOUSING: THERMOPLASTIC (UL94V-0),BLACK.
2. TERMINAL: COPPER ALLOY ,T=0.2mm.
PLATING : GOLD PLATED .
3. SHELL : COPPER ALLOY ,T=0.4mm.
PLATING : NICKEL PLATED OVERALL.

SPECIFICATION

1. CURRENT RATING : 0.5 A MAX.
2. DIELECTRIC WITHSTANDING VOLTAGE :
500V AC R.M.S. FOR ONE MINUTE.
3. CONTACT RESISTANCE :30mΩ MAX.
4. INSULATION RESISTANCE :
1000MΩ MIN. AT 500V DC.
5. OPERATING TEMPERATURE : -20°C TO +85°C.

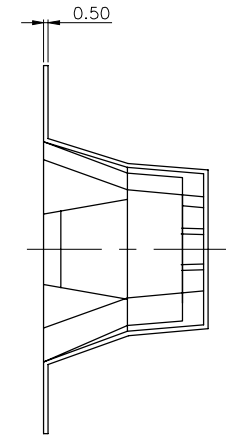
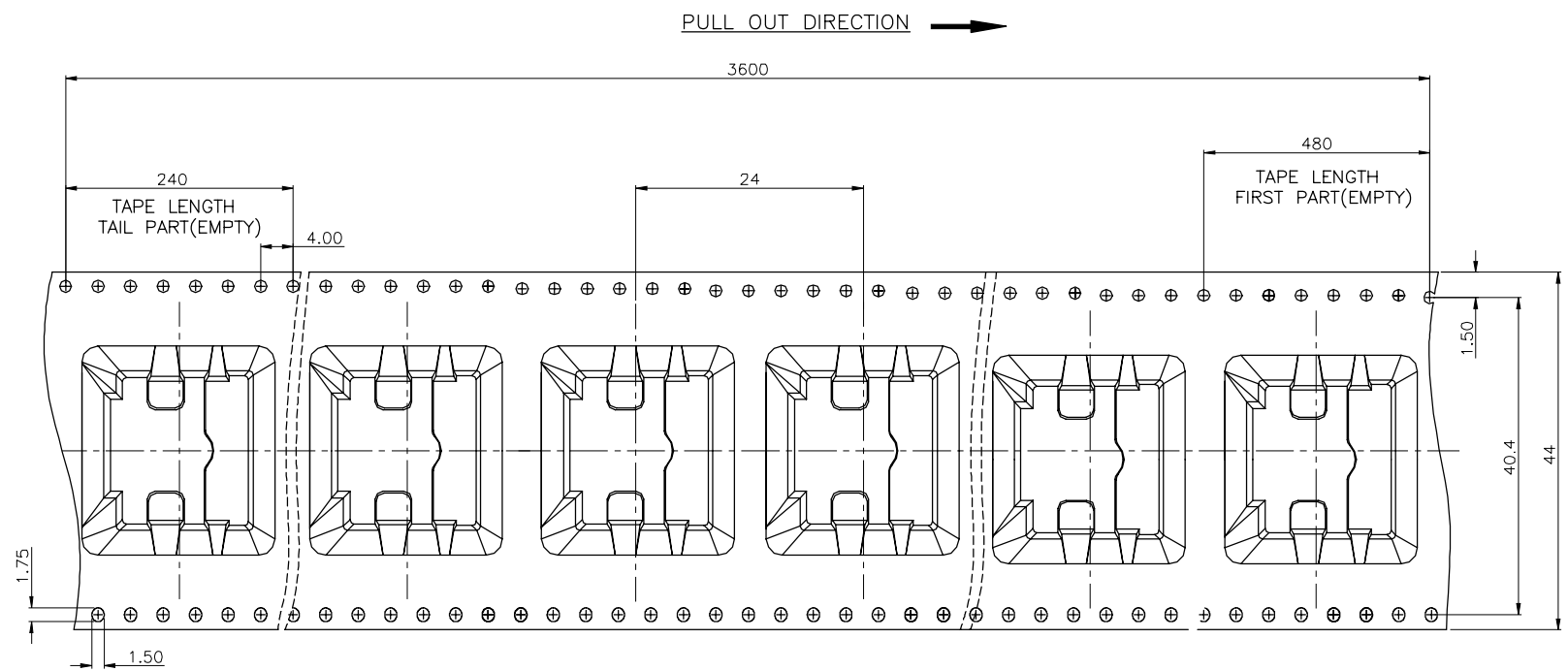
PART NUMBER INFORMATION:



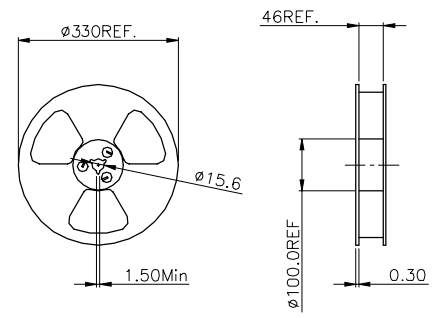
DESCRIPTION OF PLATING ON TERMINALS			
NO.	EXPLAIN	NO.	EXPLAIN
0	GOLD FLASH	3	GOLD 15u"
6	GOLD 30u"		

TOLERANCE .0=±0.25 .00=±0.15 .000=±0.05 ANG.=±3°	DRAWER		 ASTRON TECHNOLOGY CORP. NAME DISPLAYPORT SMT TYPE FEMALE
	CHECK		
 UNITS : mm SCALE NONE SIZE A7 SHEET 1 OF 2 REV. B	APP'D		DRAW NO. R699FA20-0N007D-H
	PRODUCT SPEC.		

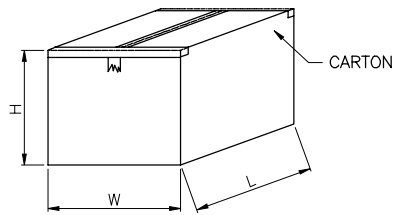
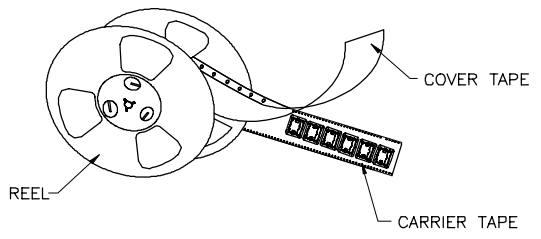
REV.	DESCRIPTION	DATE
A	N16'01002	Jan.06.2016
B	N17'04002	Apr.10.2017



PULL OUT DIRECTION →



REEL FOR CARRIER TAPE



TAPE & REEL PACKAGE : MATERIALS

1. CARRIER TAPE: POLYSTYREN (PS)
2. COVER TAPE: POLYSTYREN (PS)
3. REEL: POLYSTYREN (PS)

QUANTITY

1. 90PCS PER REEL
 2. 5 REEL PER CARTON(450PCS PER CARTON)
- (CARTON :L=350mm, W=350mm, H=296mm)

TOLERANCE .0=±0.25 .00=±0.15 .000=±0.05 ANG.=±3°	DRAWER		 ASTRON TECHNOLOGY CORP.
	CHECK		
 UNITS : mm	APP'D		NAME
	PRODUCT SPEC.		DISPLAYPORT SMT TYPE FEMALE
SCALE NONE	SIZE A7	SHEET 2 OF 2	DRAW NO. R699FA20-XN007D-H
		REV. B	