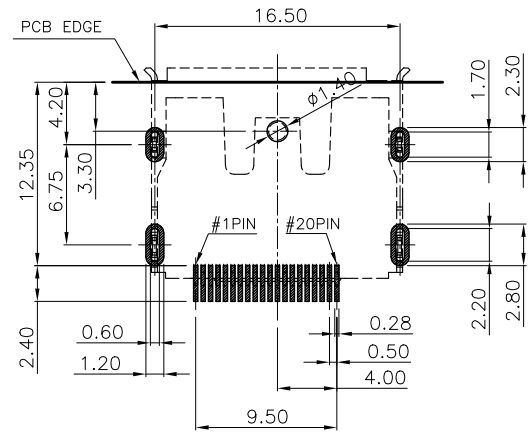
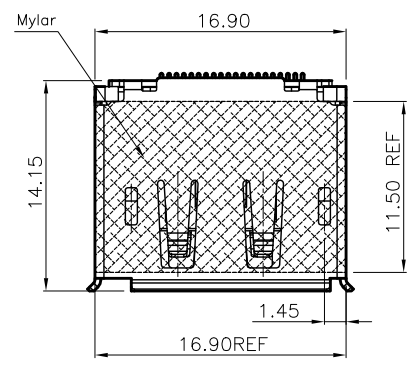
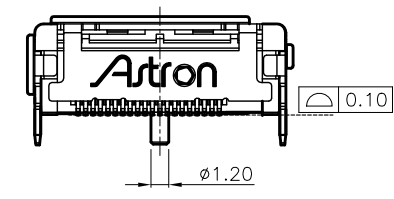
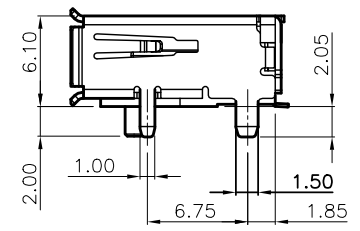
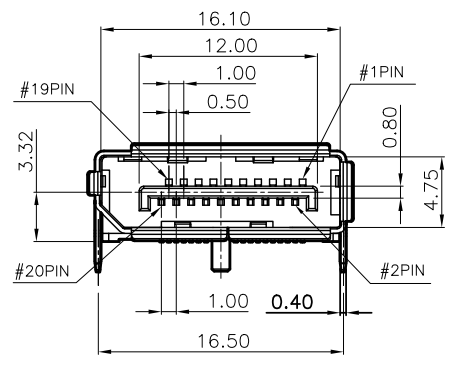


REV.	DESCRIPTION	DATE
C	N14'030	Apr. 09, 2014
D	N14'09018	Sep.11.2014
E	N15'08001	Aug.03.2015



RECOMMEND PCB LAYOUT  
TOLERANCE: ±0.05  
TOP VIEW



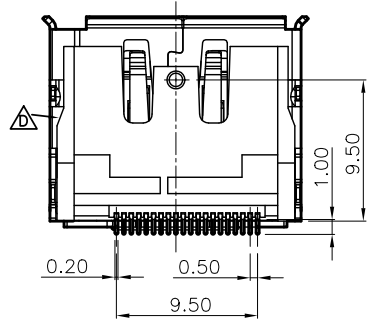
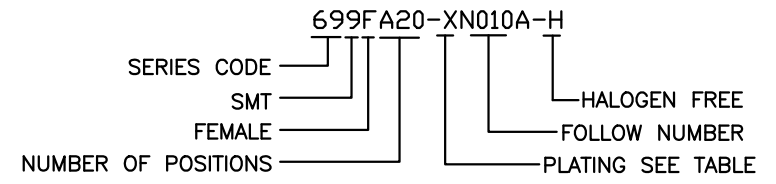
**MATERIALS**

1. HOUSING : LCP (UL 94V-0) BLACK.
2. TERMINAL : BRASS.  
PLATING : GOLD PLATED ON CONTACT AREA.  
GOLD FLASH PLATED ON SOLDER TAILS.
3. SHELL : BRASS,  
PLATING : NICKEL PLATED OVERALL.
4. MYLAR : POLYESTER FILM.

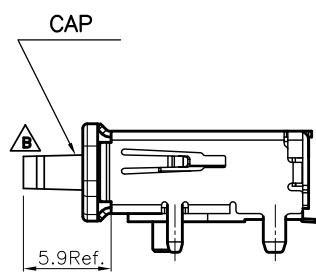
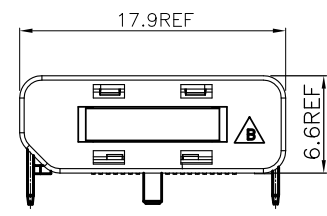
**SPECIFICATION**

1. CURRENT RATING : 0.5A. MAX.
2. DIELECTRIC WITHSTANDING VOLTAGE :  
500V AC R.M.S. FOR ONE MINUTE.
3. INSULATION RESISTANCE : 100MΩ MIN.AT 500V DC.
4. CONTACT RESISTANCE : 30mΩ MAX.
5. OPERATING TEMPERATURE : -25°C TO +85°C.
6. DURABILITY : 10000 CYCLES.
7. MATING FORCE : 4.5kgf MAX.
8. UNMATING FORCE : 1.0kgf MIN.

**PART NUMBER INFORMATION**



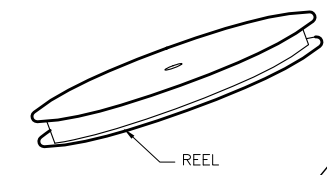
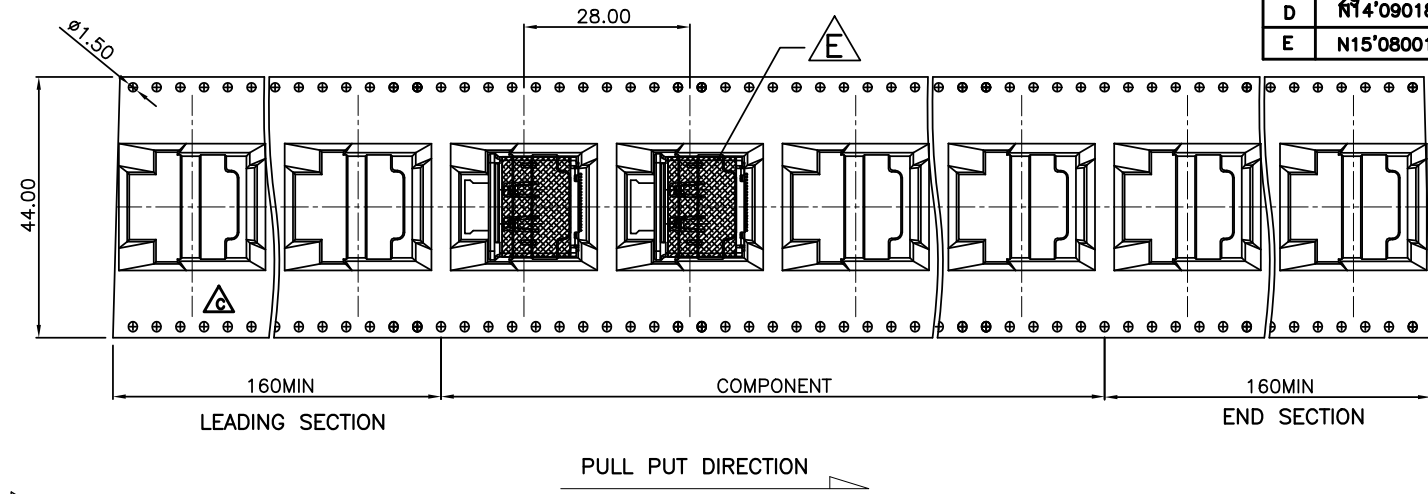
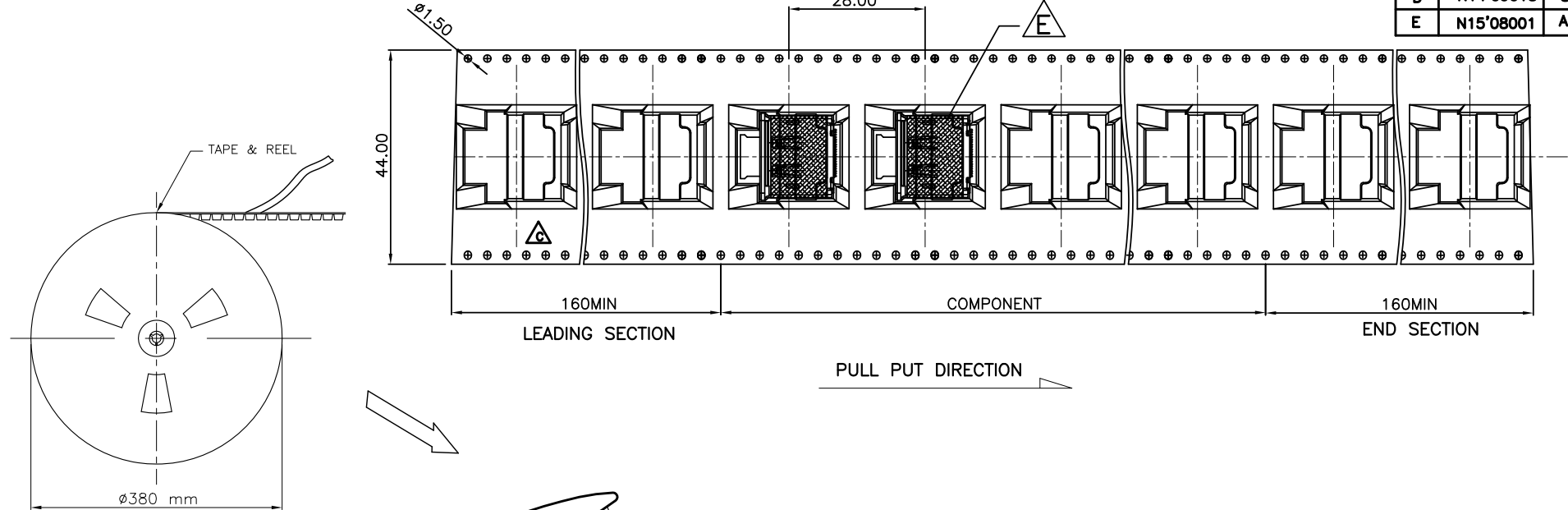
DRAWING WITH CAP



DESCRIPTION OF PLATING ON TERMINALS			
NO.	EXPLAIN	NO.	EXPLAIN
0	GOLD FLASH	3	GOLD 15u"
6	GOLD 30u"		

TOLERANCE .0=±0.25 .00=±0.15 .000=±0.05 ANG.=±3'	DRAWER WALSH CHECK Hony APP'D Johnson PRODUCT SPEC.	 <b>ASTRON TECHNOLOGY CORP.</b> NAME DISPLAY PORT R/A SMT TYPE FEMALE STANDARD WITH MYLAR
UNITS : mm		
SCALE NONE	SIZE A6	DRAW NO. R699FA20-XN010A-H
SHEET 1 OF 2	REV. E	

REV.	DESCRIPTION	DATE
C	N14'030	Apr. 09, 2014
D	N14'09018	Sep.11.2014
E	N15'08001	Aug.03.2015



**TAPE & PACKAGE :**

**MATERIAL :**

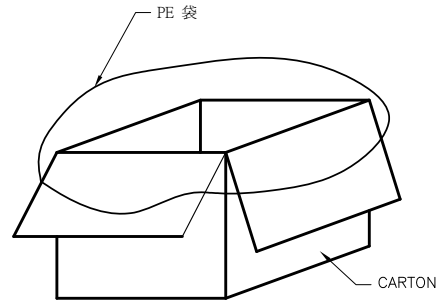
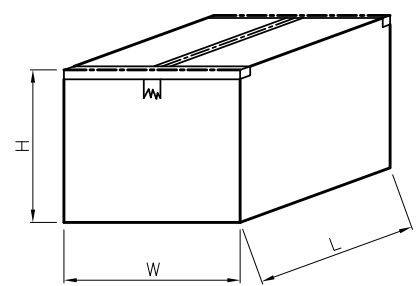
1. CARRIER TAPE : PS
2. COVER TAPE: PE
3. REEL : PS

**QUANTITY:**

1. 250 PCS/REEL
3. 1750PCS/CARTON

**DIMENSION :**

- REEL SIZE :  
 DIA=380.0mm, W=44.0mm  
 CARTON :  
 L=420mm, W=406mm, H=380mm



<b>TOLERANCE</b> .0=±0.25 .00=±0.15 .000=±0.05 ANG.=±3°		<b>DRAWER</b> WANGSPLNS <b>CHECK</b> Hong <b>APP'D</b> Johnson		 ASTRON TECHNOLOGY CORP. <b>NAME</b> DISPLAY PORT R/A SMT TYPE FEMALE STANDARD WITH MYLAR	
<b>UNITS : mm</b>		<b>PRODUCT SPEC.</b>			
<b>SCALE</b> NONE	<b>SIZE</b> A4	<b>SHEET</b> 2 OF 2	<b>REV.</b> E		