

| REV. | DESCRIPTION | DATE |
|------|-------------|-------------|
| H | N14'03001 | Mar.24,2014 |
| J | N14'09018 | Sep.11.2014 |
| K | N16'01008 | Jan.27.2016 |

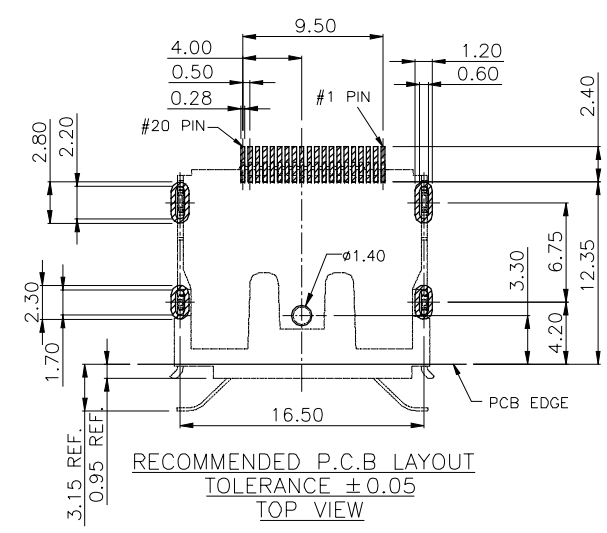
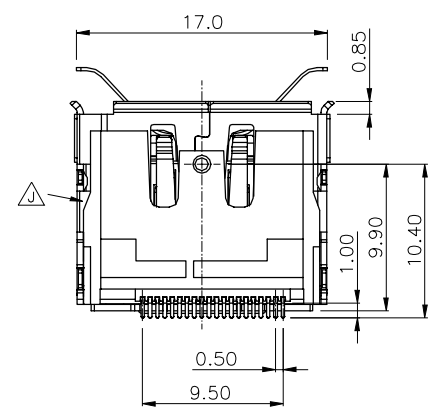
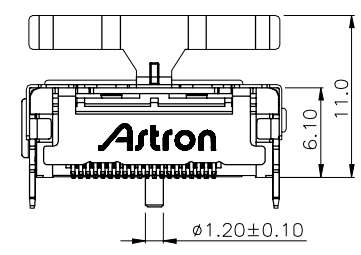
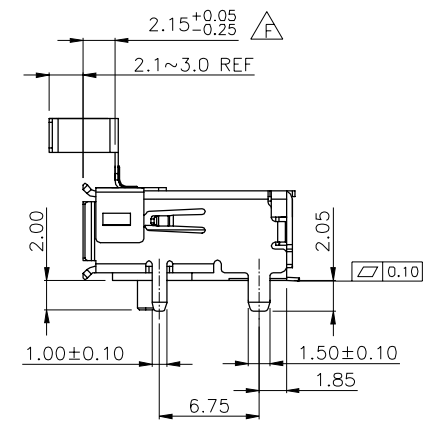
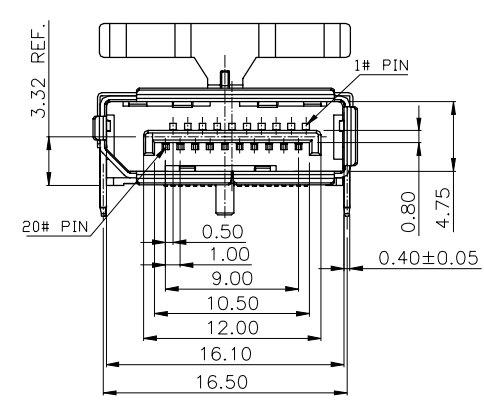
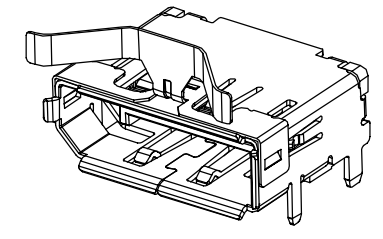
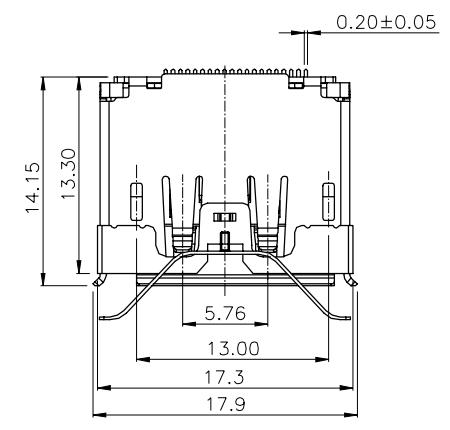
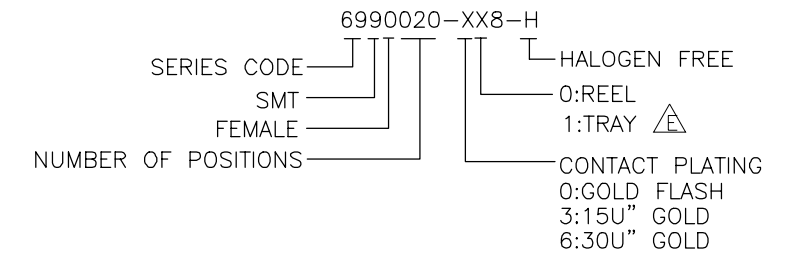
MATERIALS

- HOUSING : LCP (UL94V-0),BLACK.
- TERMINAL : BRASS, GOLD PLATING.
UNDER 80U" NICKEL PLATING
- SHELL : COPPER ALLOY, 50U" NICKEL PLATING.
- SPRING : STAINLESS STEEL, T=0.20mm.

SPECIFICATION

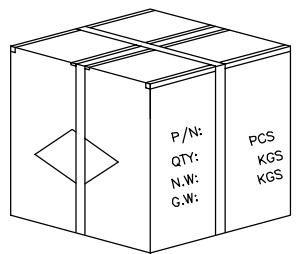
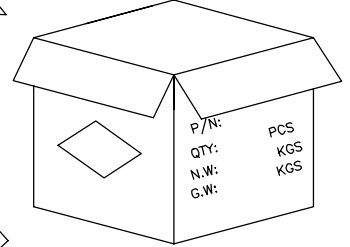
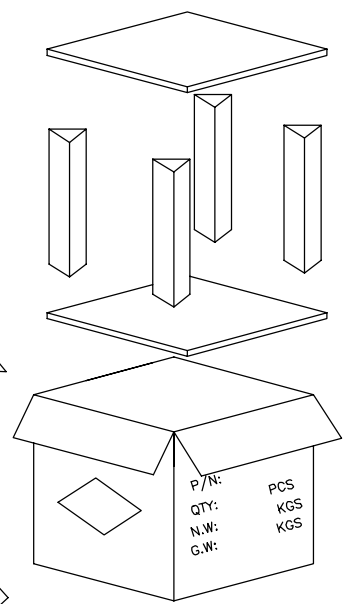
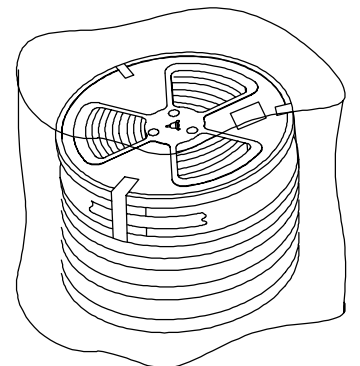
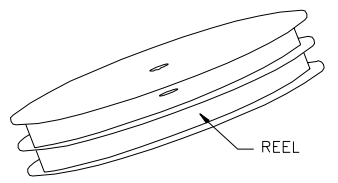
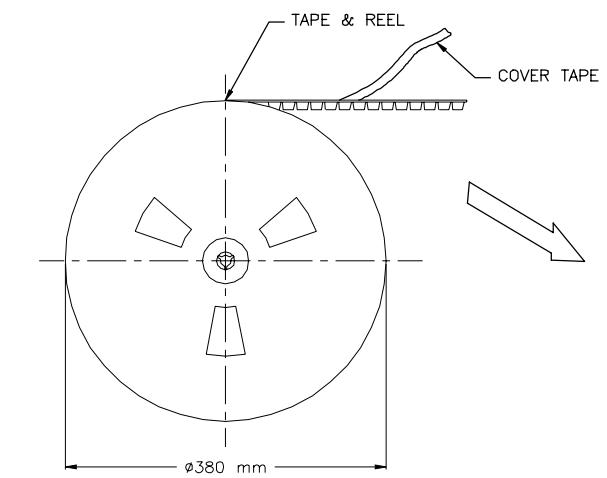
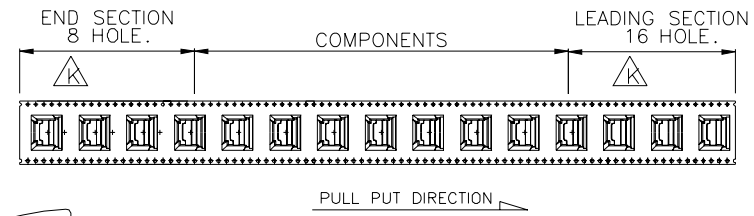
- CURRENT RATING : 0.5A. MAX.
- DIELECTRIC WITHSTANDING VOLTAGE :
500V AC R.M.S. FOR ONE MINUTE.
- INSULATION RESISTANCE : 100MΩ MIN.
AT 500V DC
- CONTACT RESISTANCE : 30mΩ MAX.
- OPERATING TEMPERATURE : -25°C TO +85°C.
- DURABILITY : 10000 CYCLES.
- MATING FORCE : 4.5kgf MAX.
- UNMATING FORCE : 1.0kgf MIN.

PART NUMBER INFORMATION



| | | | | |
|--------------------------------------------------------------|--|---------------|--|---------------------------------------------------|
| TOLERANCE .0=±0.25 .00=±0.15 .000=±0.05 ANG.=±3° | | DRAWER | | ASTRON TECHNOLOGY CORP. |
| UNITS : mm | | CHECK | | |
| SCALE NONE | | APP'D | | DISPLAY PORT R/A SMT TYPE. FEMALE. WITH SPRING |
| SIZE A4 | | PRODUCT SPEC. | | DRAW NO. |
| SHEET 1 OF 3 | | REV. K | | R6990020-XX8-H |

| REV. | DESCRIPTION | DATE |
|------|-------------|-------------|
| H | N14'03001 | Mar,24,2014 |
| J | N14'09018 | Sep.11.2014 |
| K | N16'01008 | Jan.27.2016 |



TAPE & PACKAGE :

MATERIAL :

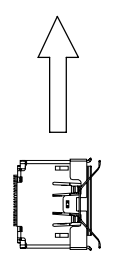
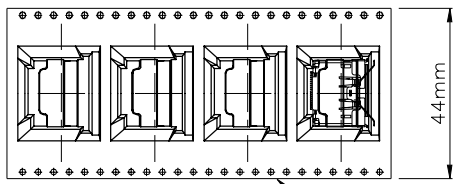
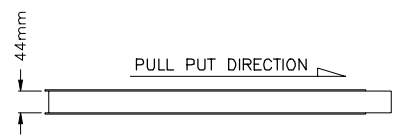
1. CARRIER TAPE : PS
2. COVER TAPE : PE
3. REEL : PS

QUANTITY:

1. 250 PCS/REEL
2. 1250PCS/CARTON

DIMENSION :

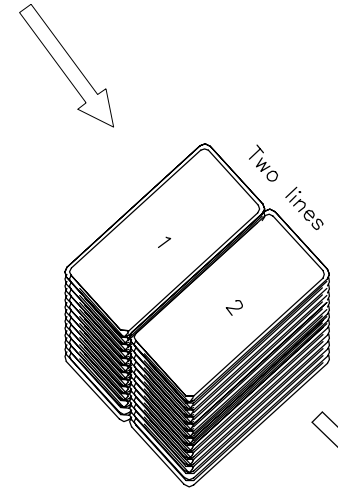
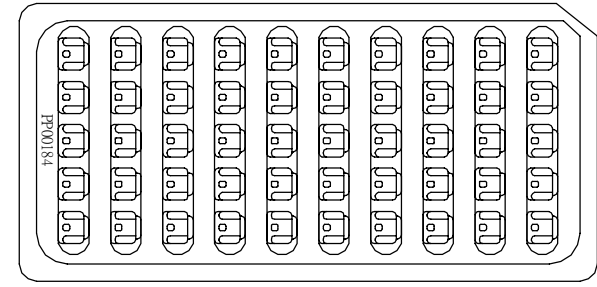
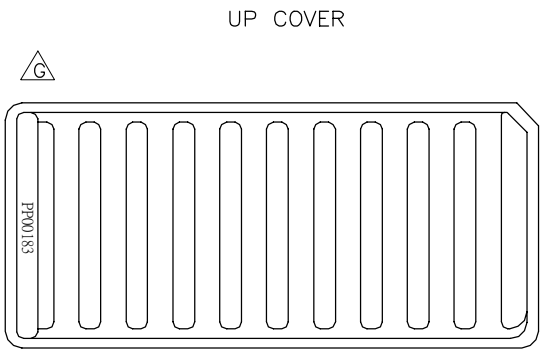
- REEL SIZE :
DIA=380.0mm, W=44.0mm
- CARTON :
L=400mm, W=400mm, H=270mm



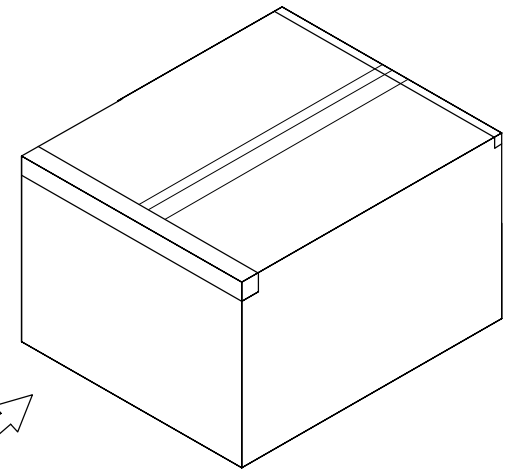
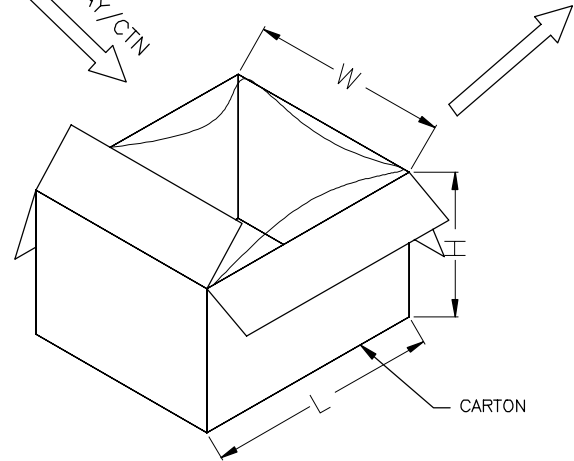
| | | | |
|-------------------|------|---------------|------|
| TOLERANCE | | DRAWER | |
| .0=±0.25 | | CHECK | |
| .00=±0.15 | | APP'D | |
| .000=±0.05 | | PRODUCT SPEC. | |
| ANG.=±3° | | — | |
| UNITS : mm [inch] | | DRAW NO. | |
| SCALE | SIZE | SHEET | REV. |
| NONE | A4 | 2 OF 3 | K |

| | |
|---------------------------------------------------|--|
| Astron | |
| ASTRON TECHNOLOGY CORP. | |
| NAME | |
| DISPLAY PORT R/A SMT TYPE. FEMALE. WITH SPRING | |
| DRAW NO. | |
| R6990020-XX8-H | |

| REV. | DESCRIPTION | DATE |
|------|-------------|-------------|
| H | N14'03001 | Mar,24,2014 |
| J | N14'09018 | Sep.11.2014 |
| K | N16'01008 | Jan.27.2016 |



2*14 TRAY/CTN



PACKAGE :
MATERIALS
 BOTTOM COVER&UP COVER: PET
QUANTITY
 1.50PCS/TRAY
 2.1400PCS/CARTON
DIMENSION
 BOTTOM COVER SIZE :320*147*14.8
 UP COVER SIZE: 320*147*14.8
 CARTON SIZE :336*302*240

| | | | | |
|--------------------------------------------------------------|------------|-----------------|-----------|-----------------------------------------------------------|
| TOLERANCE .0=±0.25 .00=±0.15 .000=±0.05 ANG.=±3' | | DRAWER | | Astron ASTRON TECHNOLOGY CORP. |
| | | CHECK | | |
| | | APP'D | | |
| UNITS : mm | | PRODUCT SPEC. | | NAME DISPLAY PORT R/A SMT TYPE. FEMALE. WITH SPRING |
| | | | | DRAW NO. R6990020-XX8-H |
| SCALE NONE | SIZE A7 | SHEET 3 OF 3 | REV. K | |