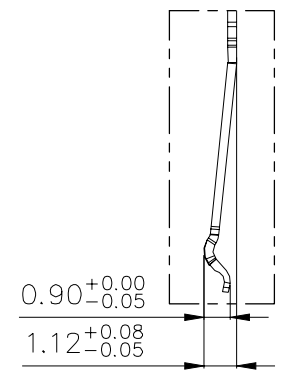
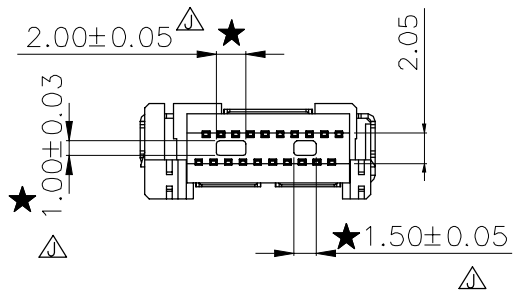
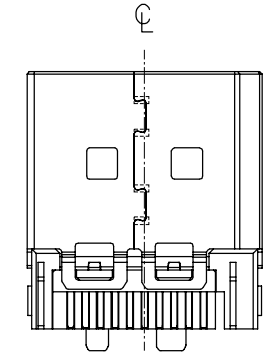
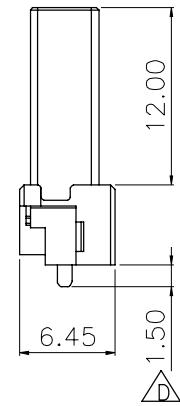
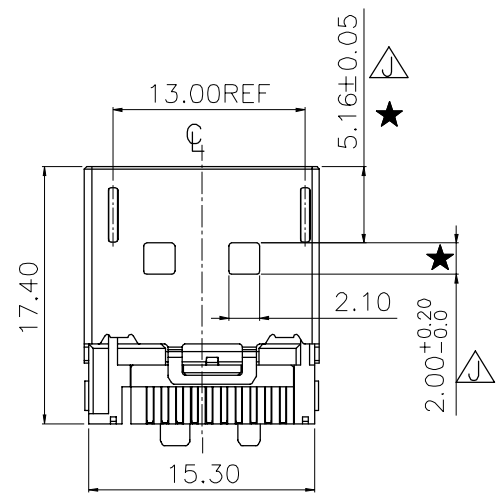
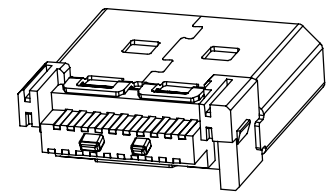
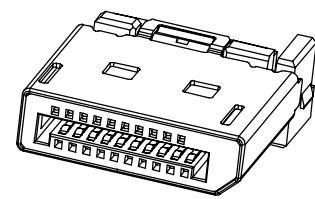
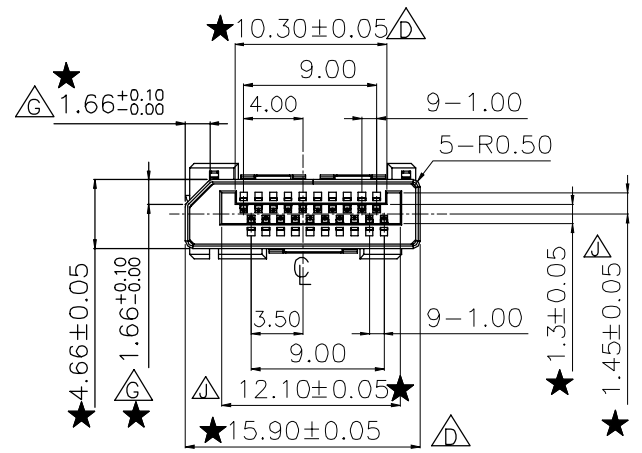


1	2
ASTRON P/N	CUSTOMER P/N
6911020-032-H	D2608020R0T

REV.	DESCRIPTION	DATE
B	09'0502	May 05, 2009
C	10'0323	Mar 16, 2010
D	11'0327	Mar 24, 2011
E	14'06008	Jun 16, 2014
F	N14'10013	Oct 16, 2014
G	N15'01010	Jan 19, 2015
H	N15'05015	May 19, 2015
J	N15'06003	Jun 05, 2015



Contact plays high control size

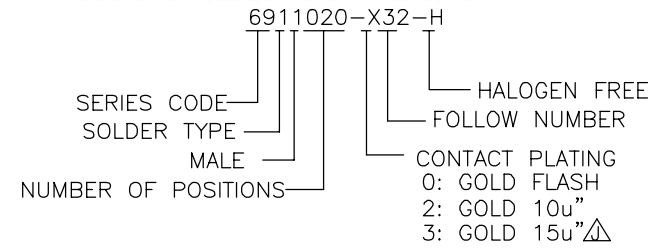
MATERIALS

- HOUSING : THERMOPLASTIC (UL 94V-0) BLACK.
- TERMINAL : COPPER ALLOY(T=0.30),
PLATING : GOLD PLATED ON CONTACT AREA,
TIN PLATED ON SOLDER TAILS,
UNDER NICKEL PLATED.
- SHELL : COPPER ALLOY(T=0.30), NICKEL PLATED.
- COVER : THERMOPLASTIC (UL 94V-0) BLACK.

SPECIFICATION

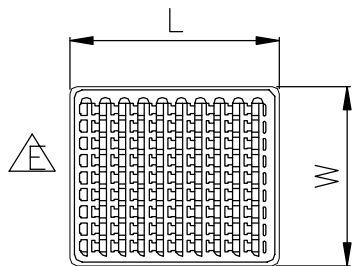
- CURRENT RATING : 0.5 A MIN.
- CONTACT RESISTANCE : 30mΩ MAX.
- DIELECTRIC WITHSTANDING VOLTAGE :
500V AC R.M.S. FOR ONE MINUTE.
- INSULATION RESISTANCE : 100MΩ MIN AT 500V DC.
- OPERATING TEMPERATURE : -40°C TO +85°C.
- DURABILITY : 10000 CYCLES.
- MATING FORCE : 4.5Kgf MAX.
- UNMATING FORCE : 1.0Kgf MIN.

PART NUMBER INFORMATION :

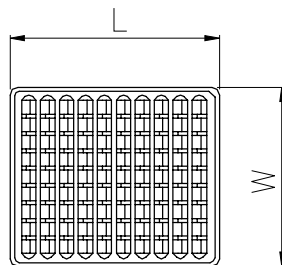


TOLERANCE .0=±0.25 .00=±0.15 .000=±0.05 ANG.=±3°		DRAWER		 ASTRON TECHNOLOGY CORP. NAME DISPLAY PORT MALE SOLDER TYPE DRAW NO. R6911020-X32-H
UNITS : mm		CHECK		
SCALE 1:1		APP'D		
SIZE A4	SHEET 1 OF 2	PRODUCT SPEC.	REV. J	

REV.	DESCRIPTION	DATE
B	09'0502	May 05, 2009
C	10'0323	Mar 16, 2010
D	11'0327	Mar 24, 2011
E	14'06008	Jun 16, 2014
F	N14'10013	Oct 16, 2014
G	N15'01010	Jan 19, 2015
H	N15'05015	May 19, 2015
J	N15'06003	Jun 05, 2015

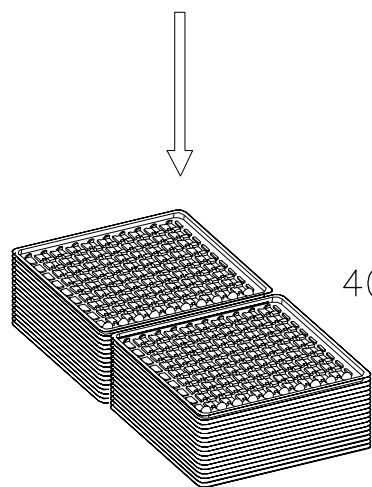
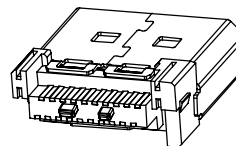


UP COVER

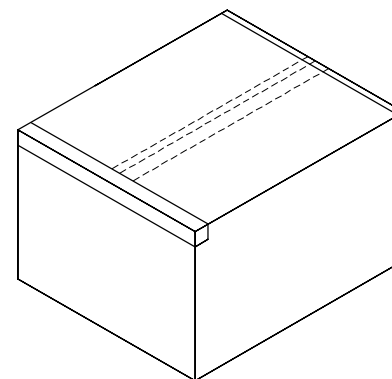
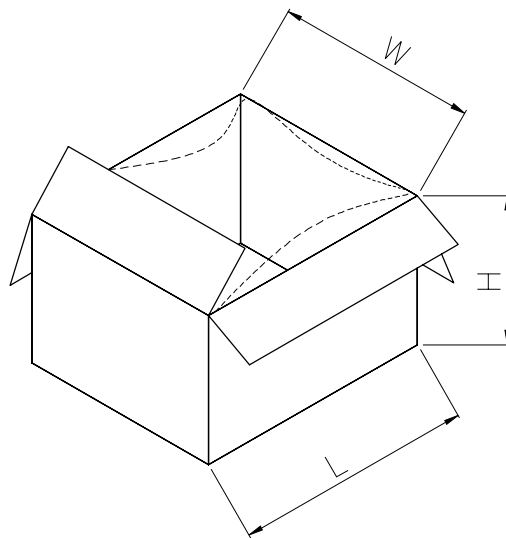


BOTTOM COVER

90PCS/TRAY



40TRAY/CTN



NOTES:

MATERIAL:

1. BOTTOM COVER&UP COVER: PVC

QUANTITY:

1. 90 PCS/TRAY
2. 3600PCS/CARTON

DIMENSION:

1. BOTTOM COVER SIZE :276*236
2. UP COVER SIZE: 276*236
3. CARTON SIZE :485*285*190



TOLERANCE .0=±0.25 .00=±0.15 .000=±0.05 ANG.=±3'	DRAWER		 Astron ASTRON TECHNOLOGY CORP.	
	CHECK			
 UNITS : mm	APP'D			NAME
	PRODUCT SPEC.			DISPLAY PORT MALE SOLDER TYPE
SCALE 1:1	SIZE A4	SHEET 2 OF 2	REV. J	
			DRAW NO. R6911020-X32-H	