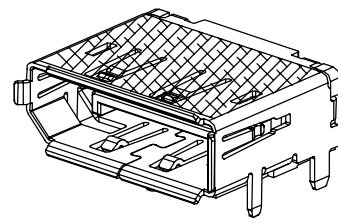
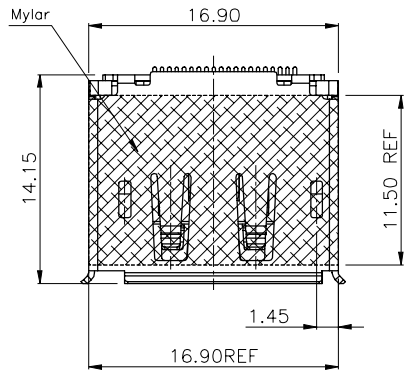


REV.	DESCRIPTION	DATE
E	N13'03010	Mar.04.2013
F	N14'09018	Sep.11.2014
G	N16'01008	Jan.27.2016
H	N17'07004	Aug.07.2017

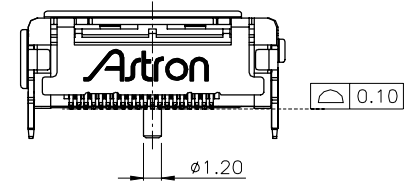
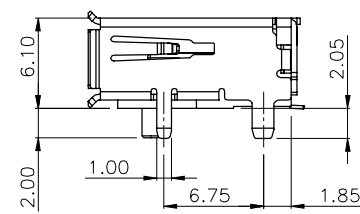
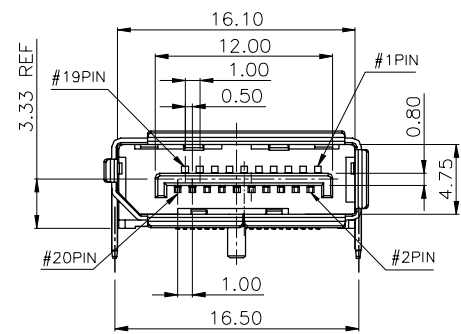


MATERIALS

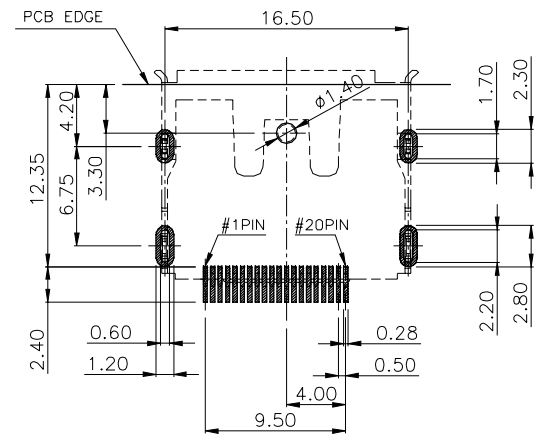
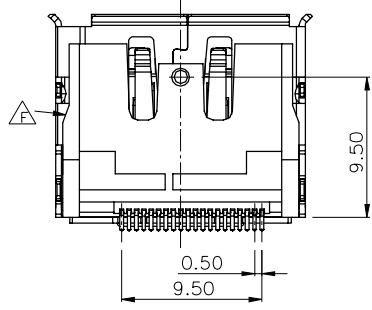
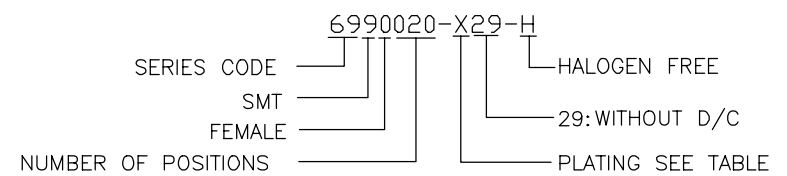
- HOUSING : THERMOPLASTIC (UL 94V-0) BLACK.
- TERMINAL : BRASS.
PLATING : GOLD PLATED ON CONTACT AREA.
GOLD FLASH PLATED ON SOLDER TAILS.
- SHELL : COPPER ALLOY,
PLATING : NICKEL PLATED OVERALL.
- MYLAR : POLYESTER FILM.

SPECIFICATION

- CURRENT RATING : 0.5A. MAX.
- DIELECTRIC WITHSTANDING VOLTAGE :
500V AC R.M.S. FOR ONE MINUTE.
- INSULATION RESISTANCE : 100MΩ MIN. AT 500V DC.
- CONTACT RESISTANCE : 30mΩ MAX.
- OPERATING TEMPERATURE : -25°C TO +85°C.
- DURABILITY : 10000 CYCLES.
- MATING FORCE : 4.5kgf MAX.
- UNMATING FORCE : 1.0kgf MIN.



PART NUMBER INFORMATION

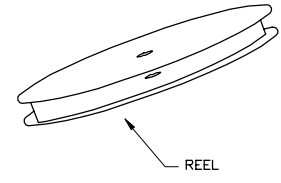
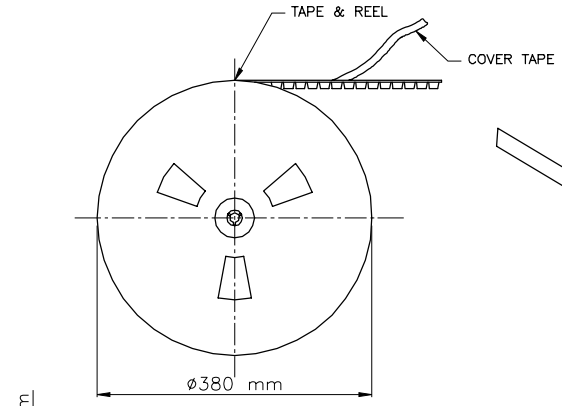
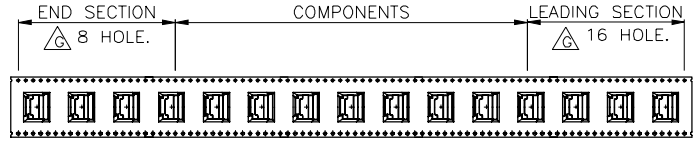


RECOMMEND PCB LAYOUT
TOLERANCE: ±0.05
TOP VIEW

DESCRIPTION OF PLATING ON TERMINALS			
NO.	EXPLAIN	NO.	EXPLAIN
0	GOLD FLASH	3	GOLD 15u"
6	GOLD 30u"		

TOLERANCE	DRAWER	 Astron ASTRON TECHNOLOGY CORP.	
.0=±0.25	CHECK		
.00=±0.15	APP'D		
.000=±0.05	PRODUCT SPEC.	NAME	
ANG.=±3'		DISPLAY PORT R/A SMT TYPE FEMALE-STANDARD WITH MYLAR	
UNITS : mm		DRAW NO.	
SCALE NONE	SIZE A6	R6990020-X29-H	
SHEET 1 OF 2	REV. H		

REV.	DESCRIPTION	DATE
E	N13'03010	Mar.04.2013
F	N14'09018	Sep.11.2014
G	N16'01008	Jan.27.2016
H	N17'07004	Aug.07.2017



PULL PUT DIRECTION →

TAPE & PACKAGE :

MATERIAL :

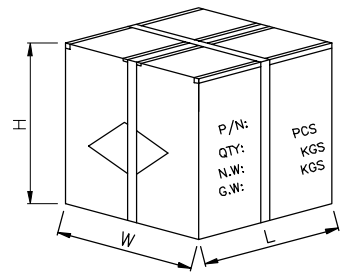
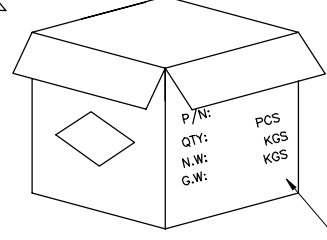
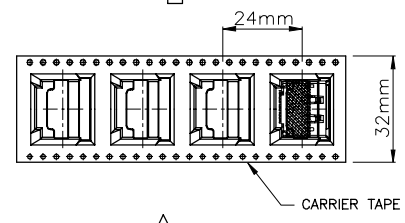
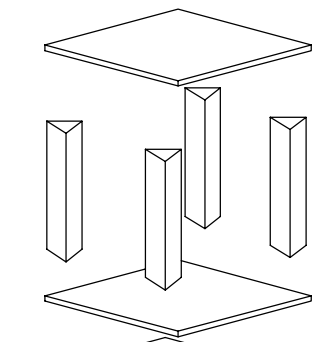
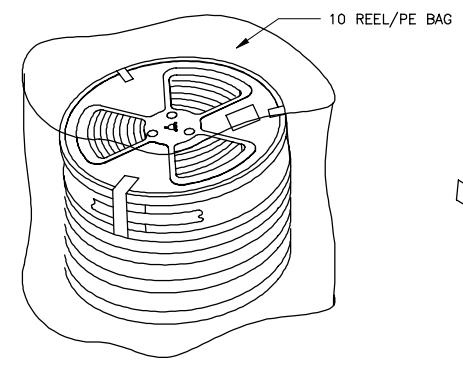
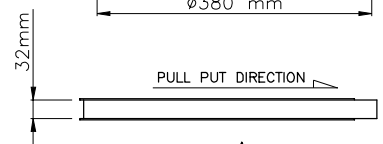
1. CARRIER TAPE : PS
2. COVER TAPE: PE
3. REEL : PS

QUANTITY:

1. 300 PCS/REEL
2. 10 REEL/CARTON: 3000PCS

DIMENSION :

- REEL SIZE :
 DIA=380.0mm, W=32.0mm
 CARTON :
 L=400mm, W=400mm, H=400mm



TOLERANCE .0=±0.25 .00=±0.15 .000=±0.05 ANG.=±3°		DRAWER CHECK APP'D		 ASTRON TECHNOLOGY CORP. NAME DISPLAY PORT R/A SMT TYPE FEMALE-STANDARD WITH MYLAR		
 UNITS : mm		PRODUCT SPEC. _____				DRAW NO. R6990020-X29-H
SCALE NONE	SIZE A6	SHEET 2 OF 2	REV. H			