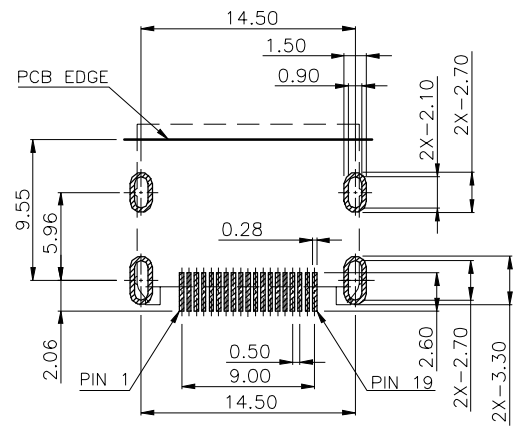
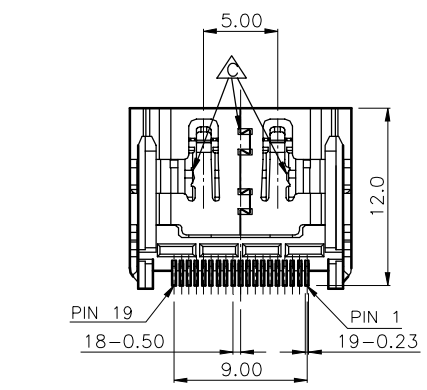
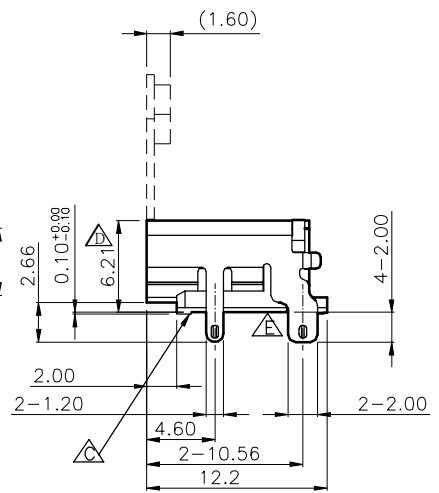
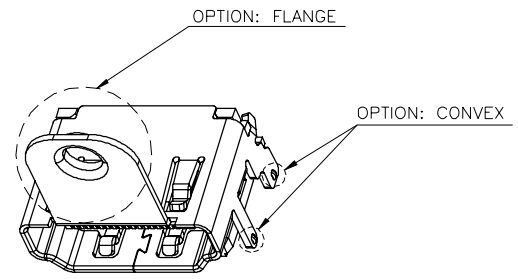
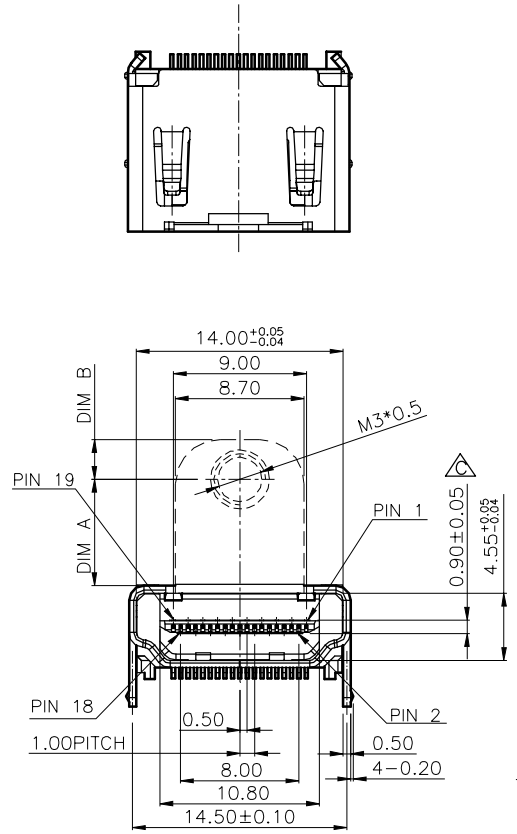


REV.	DESCRIPTION	DATE
C	12'0747	Jul 27, 2012
D	N14'09010	Sep 04, 2014
E	N15'01022	Jan 30, 2015



RECOMMEND PCB LAYOUT
TOLERANCE: ±0.05
TOP VIEW

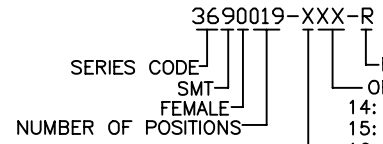
MATERIALS

- HOUSING : THERMOPLASTIC (UL 94V-0) BLACK
- TERMINAL : COPPER ALLOY,
PLATING : GOLD PLATED OVER NICKEL ON CONTACT AREA AND TIN PLATED OVER NICKEL ON SOLDER TAILS
- SHELL : COPPER ALLOY
PLATING : NICKEL PLATED OVERALL.

SPECIFICATION

- CURRENT RATING : 0.5A. MAX.
- DIELECTRIC WITHSTANDING VOLTAGE :
500V AC R.M.S. FOR ONE MINUTE(UNMATED).
- INSULATION RESISTANCE : 100MΩ MIN AT 500V DC(UNMATED).
- OPERATING TEMPERATURE : -25°C TO +85°C.
- DURABILITY : 10000 CYCLES.

PART NUMBER INFORMATION :



- OPTION FLANGE&CONVEX&PACKAGE:
 14: W/O FLANGE & HAVE CONVEX WITH TAPE REEL.
 15: FLANGE DIM.A= 7.2 DIM.B= 2.7 & HAVE CONVEX WITH TAPE REEL.
 16: FLANGE DIM.A= 5.2 DIM.B= 2.7 & HAVE CONVEX WITH TAPE REEL.
 17: FLANGE DIM.A= 4.3 DIM.B= 3.6 & HAVE CONVEX WITH TAPE REEL.
 18: W/O FLANGE & HAVE CONVEX WITH TRAY.
 19: FLANGE DIM.A= 7.2 DIM.B= 2.7 & HAVE CONVEX WITH TRAY.
 20: FLANGE DIM.A= 5.2 DIM.B= 2.7 & HAVE CONVEX WITH TRAY.
 21: FLANGE DIM.A= 4.3 DIM.B= 3.6 & HAVE CONVEX WITH TRAY.
 82: W/O FLANGE & CONVEX WITH TAPE REEL.
 83: FLANGE DIM.A= 7.2 DIM.B= 2.7 & W/O CONVEX WITH TAPE REEL.
 84: FLANGE DIM.A= 5.2 DIM.B= 2.7 & W/O CONVEX WITH TAPE REEL.
 85: FLANGE DIM.A= 4.3 DIM.B= 3.6 & W/O CONVEX WITH TAPE REEL.

PLATING SEE TABLE

DESCRIPTION OF PLATING ON TERMINALS			
NO.	EXPLAIN	NO.	EXPLAIN
0	GOLD FLASH	3	GOLD 15u"
6	GOLD 30u"		

TOLERANCE .0=±0.25 .00=±0.15 .000=±0.05 ANG.=±3°	DRAWER <i>W32X</i>	 ASTRON TECHNOLOGY CORP.	
	CHECK <i>Y30NY</i>		NAME
APP'D <i>R&T</i>	PRODUCT SPEC. _____		HDMI A TYPE FEMALE SMT TYPE
UNITS : mm	DRAW NO. R3690019-XXX-R		

SCALE NONE	SIZE A6	SHEET 1 OF 1	REV. E
----------------------	-------------------	------------------------	------------------