

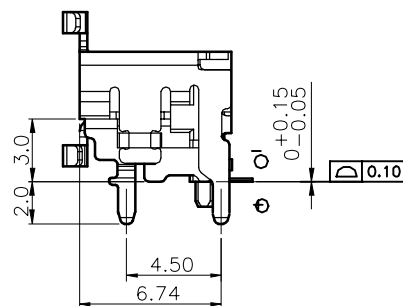
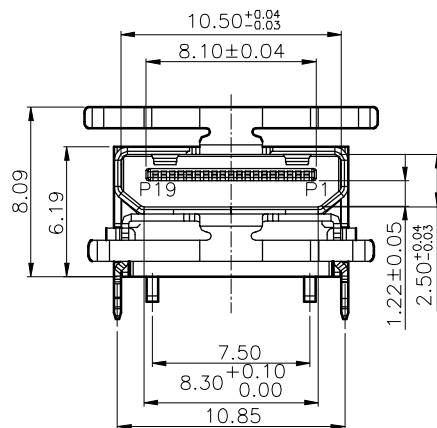
REV.	DESCRIPTION	DATE
D	10'1026	Oct 28, 2010
E	10'1215	Dec 09, 2010
F	11'0814	Aug 09, 2011

MATERIALS

- HOUSING : THERMOPLASTIC+30%G.F. (UL 94V-0) BLACK.
- TERMINAL : COPPER ALLOY, PLATING : GOLD PLATED OVER NICKEL.
- SHELL : COPPER ALLOY, PLATING : NICKEL PLATED.
- BELOW SHELL : COPPER ALLOY, PLATING : NICKEL PLATED.

SPECIFICATION

- CURRENT RATING : 0.5A MAX.
- DIELECTRIC WITHSTANDING VOLTAGE : 500V AC R.M.S. FOR ONE MINUTE.
- INSULATION RESISTANCE : 100MΩ MIN. AT 500V DC.
- CONTACT RESISTANCE : 30mΩ MAX(Delta VALUE).
- OPERATING TEMPERATURE : -25°C TO +85°C.
- D/C INFORMATION:

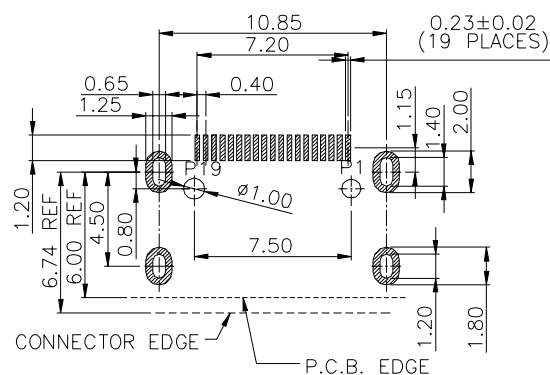
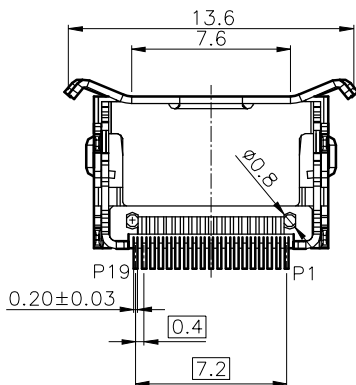


YEAR XXXX
 WEEK

△PART NUMBER INFORMATION:

3690019-XXX-H

- 36: SERIES CODE
- 9: SMT
- 0: FEMALE
- 19: NUMBER OF POSITIONS
- XXX: CONTACT PLATING:
 0: GOLD FLASH
 3: 15u" GOLD
 6: 30u" GOLD
- H: HALOGEN FREE
- PACKAGE & D/C & MYLAR OPTION
- 58: TRAY WITH LOGO WITHOUT D/C
- 59: T&R WITH LOGO WITHOUT D/C
- 66: TRAY WITH LOGO & D/C
- 67: T&R WITH LOGO & D/C
- 68: TRAY WITHOUT LOGO & D/C
- 69: T&R WITHOUT LOGO & D/C
- 70: TRAY WITHOUT LOGO WITH D/C
- 71: T&R WITHOUT LOGO WITH D/C
- △73: T&R WITH LOGO & D/C & MYLAR
- △74: T&R WITH LOGO WITHOUT D/C & WITH MYLAR



RECOMMEND P.C.B. LAYOUT
 TOLERANCE ±0.05

TOLERANCE .0=±0.25 .00=±0.15 .000=±0.05 ANG.=±3°		DRAWER Wain CHECK Hony APP'D		 ASTRON TECHNOLOGY CORP. NAME MINI HDMI HIGH RISE RECEPTACLE CONNECTOR	
UNITS : mm		PRODUCT SPEC. ---			
SCALE NONE	SIZE A7	SHEET 1 OF 1	REV. F	R3690019-XXX-H	