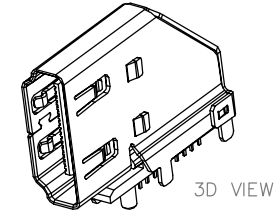
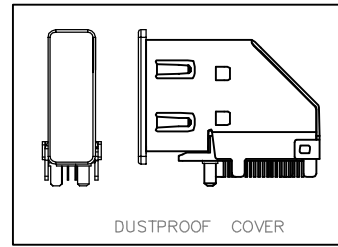
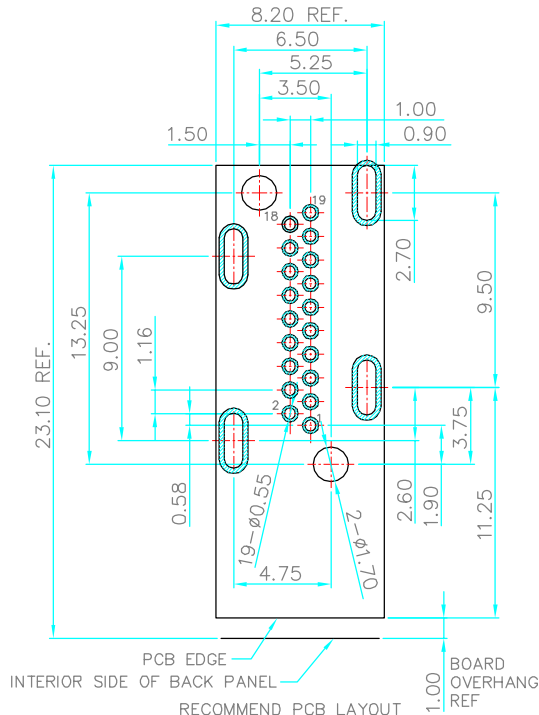
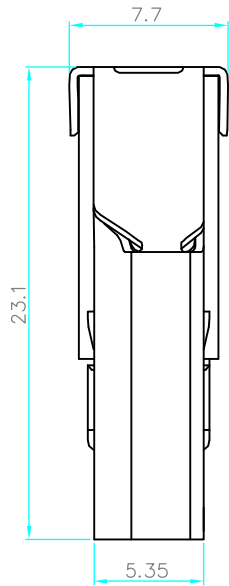


REV.	DESCRIPTION	DATE
A	N16'12010	Dec.23, 2016
B	N18'05009	May.16, 2018



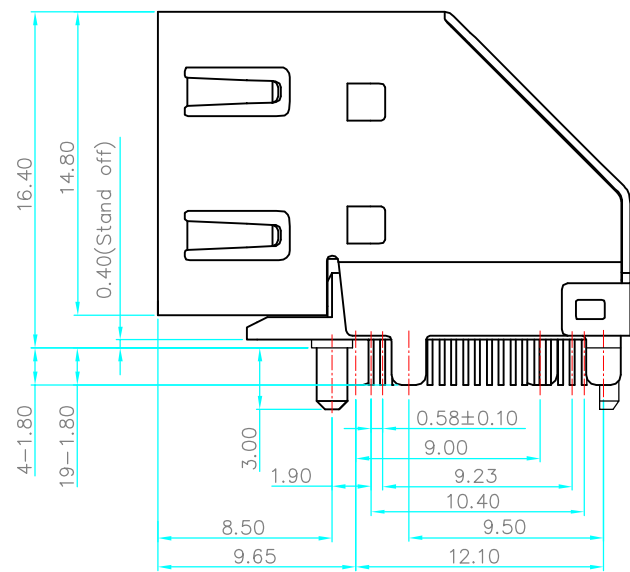
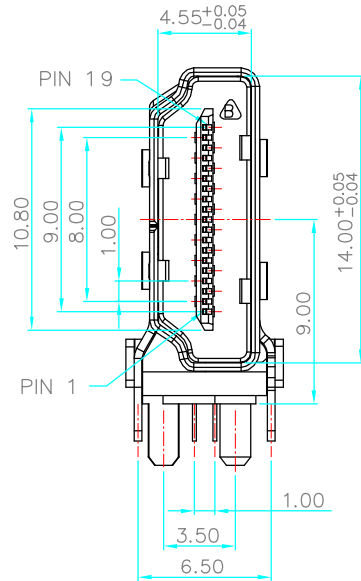
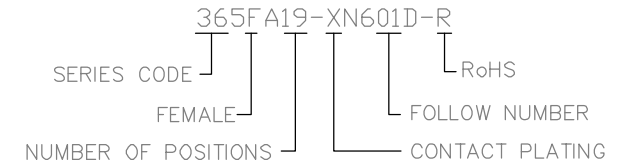
MATERIALS

- HOUSING & COVER : L.C.P (UL 94V-0), BLACK.
- TERMINAL : BRASS, (t=0.20mm)
GOLD PLATED ON CONTACT AREA,
TIN PLATED ON SOLDER TAIL,
UNDER NICKEL PLATED OVER ALL.
- SHELL : STAINLESS STEEL,(t=0.40mm), NICKEL PLATING.

SPECIFICATION

- CURRENT RATING : 0.5 A MIN.
- VOLTAGE RATING : 40V AC.
- DIELECTRIC WITHSTANDING VOLTAGE :
500V AC R.M.S. FOR ONE MINUTE.
- INSULATION RESISTANCE : 100M OHMS MIN.
AT 500V DC.
- CONTACT RESISTANCE : 30m OHMS MAX.
- OPERATING TEMPERATURE : -25°C TO +85°C.
- DURABILITY : 10000 CYCLES.
- MATING FORCE : 4.5kgf MAX.
- UNMATING FORCE : 1.0~4.0kgf

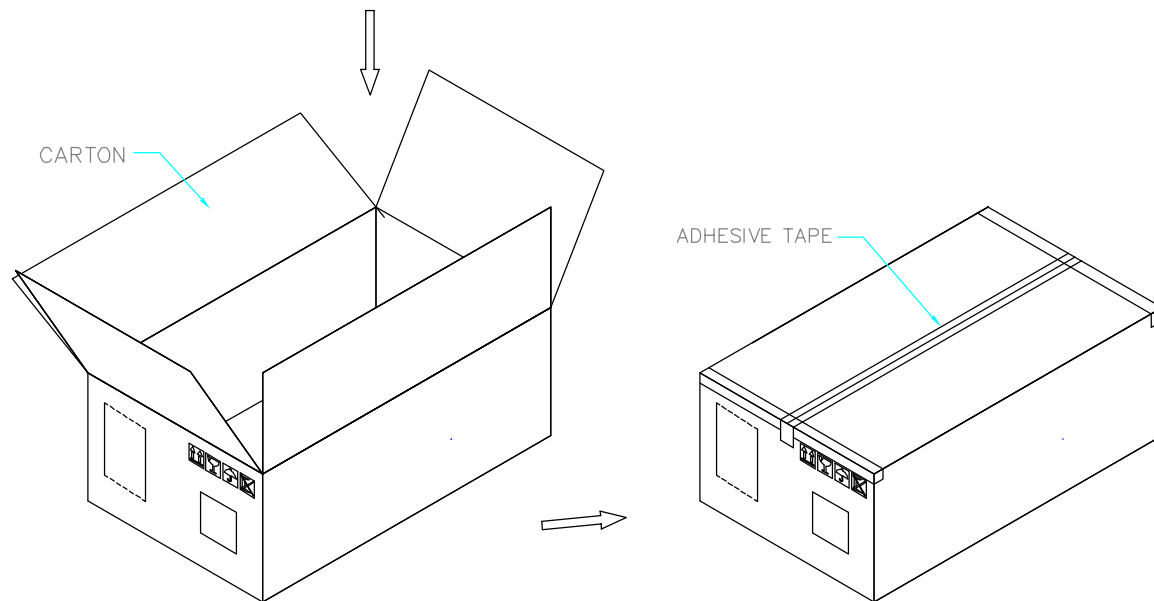
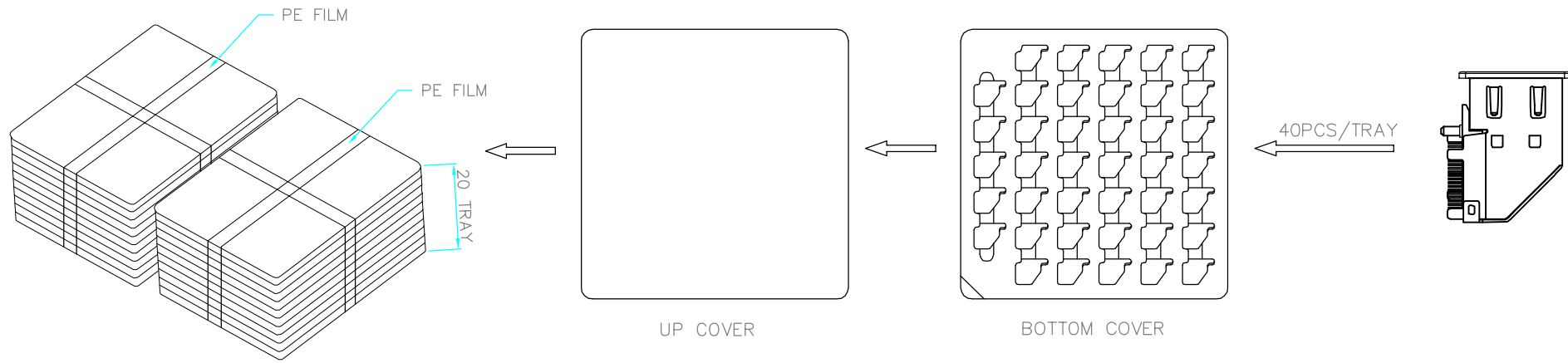
PART NUMBER INFORMATION



DESCRIPTION OF PLATING ON TERMINALS			
NO.	EXPLAIN	NO.	EXPLAIN
0	GOLD FLASH	6	GOLD 30u"
3	GOLD 15u"		

TOLERANCE .0=±0.30 .00=±0.20 .000=±0.10 ANG.=±3°	DRAWER <i>Duan</i>	 ASTRON TECHNOLOGY CORP. NAME HDMI CONNECTOR A TYPE, FEMALE DIP TYPE UPRIGHT TYPE DRAW NO. R365FA19-XN601D-R
	CHECK <i>Sony</i>	
APP'D <i>Sony</i>	PRODUCT SPEC. —	
UNITS : mm SCALE NONE SIZE A7 SHEET 1 OF 2 REV. B		

REV.	DESCRIPTION	DATE
A	N16'12010	Dec.23, 2016
B	N18'05009	May.16, 2018



PACKAGE :

MATERIALS



BOTTOM COVER&UP COVER: PS

QUANTITY

- 40PCS/TRAY
- 1600PCS/40TRAY/CARTON

DIMENSION

CARTON SIZE : 470*230*220

TOLERANCE .0=±0.30 .00=±0.20 .000=±0.10 ANG.=±3°	DRAWER <i>Duan</i>	 ASTRON TECHNOLOGY CORP.
	CHECK <i>Hony</i>	
	APP'D <i>Hony</i>	
	PRODUCT SPEC. —	NAME HDMI CONNECTOR A TYPE, FEMALE DIP TYPE UPRIGHT TYPE
	UNITS : mm	DRAW NO. R365FA19-XN601D-R
SCALE NONE	SIZE A7	SHEET 2 OF 2
		REV. B