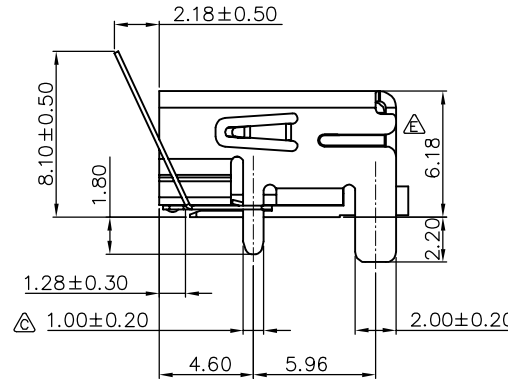
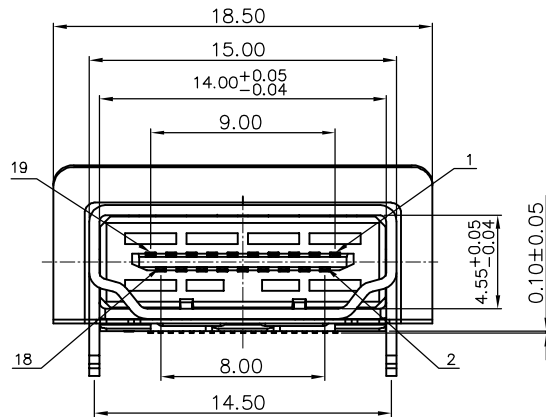


REV.	DESCRIPTION	DATE
C	N15'03015	Mar 20, 2015
D	N15'06022	Jun 30, 2015
E	N15'12003	Dec 04, 2015
F	N16'08007	Aug 24, 2016



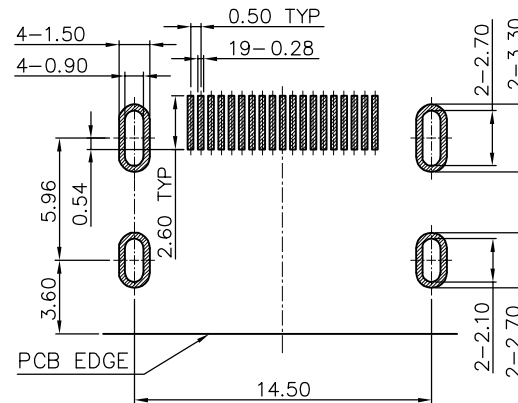
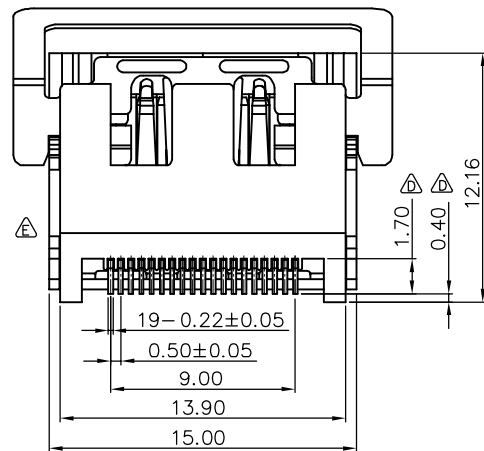
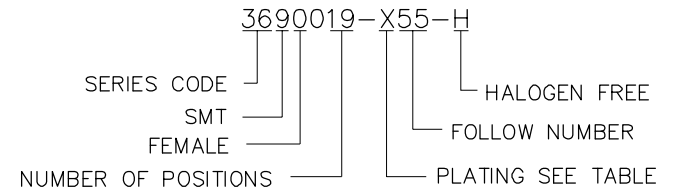
**MATERIALS**

- HOUSING : HIGH TEMP THERMOPLASTIC,UL 94V-0.BLACK.
- TERMINAL : COPPER ALLOY,THICKNESS=0.20mm  
GOLD PLATING ON CONTACT AREA,  
TIN PLATING ON SOLDER TAIL.
- SHELL : COPPER ALLOY,THICKNESS=0.50mm  
NICKEL PLATING.
- SPRING : STAINLESS STEEL,THICKNESS=0.20mm

**SPECIFICATION**

- CURRENT RATING : 0.5 AMP. MAX.
- DIELECTRIC WITHSTANDING VOLTAGE :  
500V AC R.M.S. FOR ONE MINUTE.
- INSULATION RESISTANCE : 100M OHMS MIN.
- CONTACT RESISTANCE : 30m OHMS MAX.
- OPERATING TEMPERATURE : -25°C TO +85°C.

**PART NUMBER INFORMATION:**

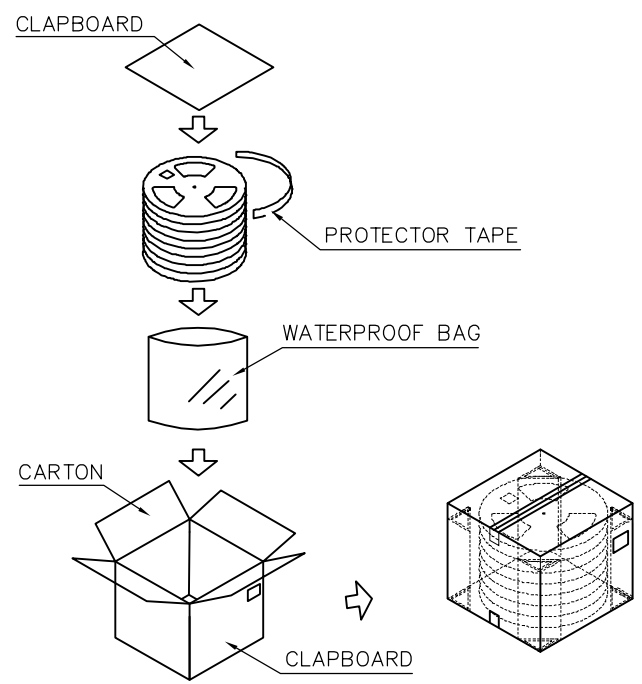
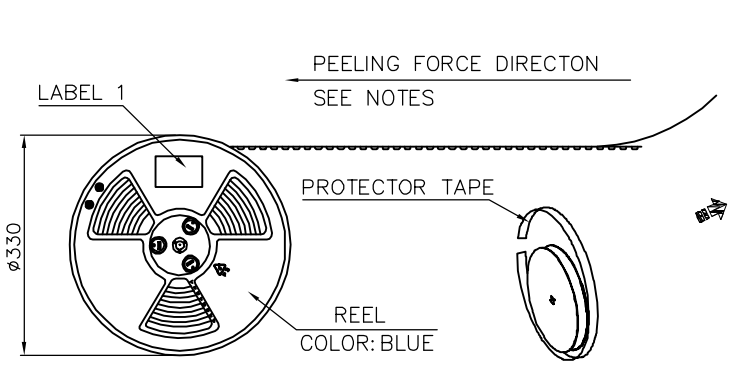
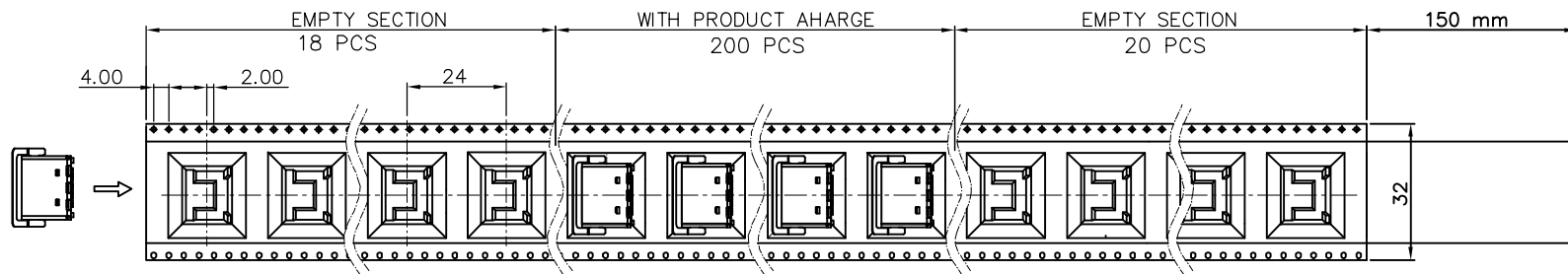


RECOMMENDED PCB LAYOUT(TOP VIEW)  
(TOLERANCE=±0.05mm)

DESCRIPTION OF PLATING ON TERMINALS			
NO.	EXPLAIN	NO.	EXPLAIN
0	GOLD FLASH	6	GOLD 30u"
3	GOLD 15u"		

TOLERANCE .0=±0.30 .00=±0.25 .000=±0.05 ANG.=±3'	DRAWER CHECK APP'D	 <b>Astron</b> ASTRON TECHNOLOGY CORP.
 UNITS : mm SCALE NONE SIZE A7 SHEET 1 OF 2 REV. F	PRODUCT SPEC. NAME HDMI CONNECTOR RIGHT ANGLE HEADER SMT TYPE, W/SPRING DRAW NO. R3690019-X55-H	

REV.	DESCRIPTION	DATE
C	N15'03015	Mar 20, 2015
D	N15'06022	Jun 30, 2015
E	N15'12003	Dec 04, 2015
F	N16'08007	Aug 24, 2016



NOTES:

1.DIMENSION:

CARTION: 345X345X325mm,K=K (1PCS)



CLAPBOARD: 345X345mm (2PCS)

2.QUANTITY:

200 PCS/REEL

8 REEL/SHIPPING CARTON

1600 PCS/SHIPPING CARTON

<b>TOLERANCE</b> .0=±0.30 .00=±0.25 .000=±0.05 ANG.=±3'	DRAWER		 ASTRON TECHNOLOGY CORP.
	CHECK		
APP'D		NAME	
 UNITS : mm		PRODUCT SPEC.	
SCALE NONE	SIZE A7	SHEET 2 OF 2	REV. F
			DRAW NO.
			R3690019-X55-H