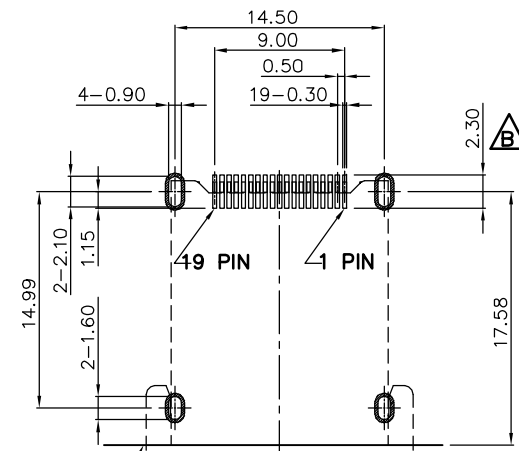
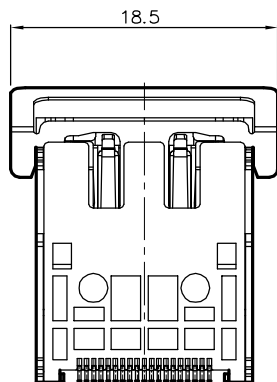
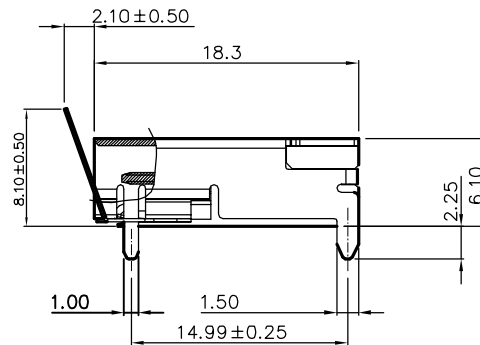
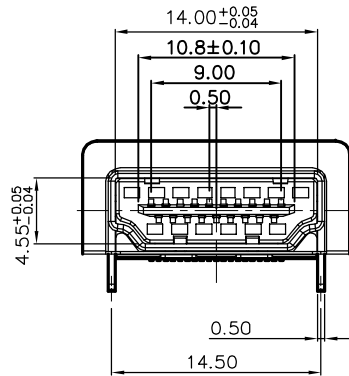
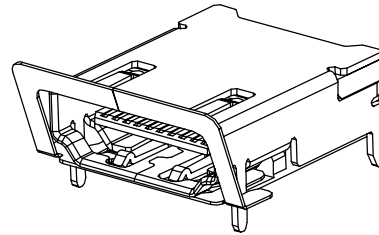
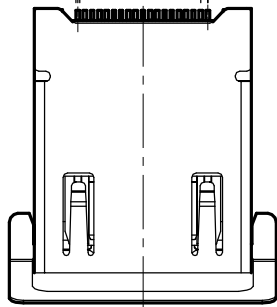
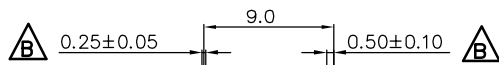


REV.	DESCRIPTION	DATE
A	RELEASR	Mar 12,2012
B	R12,0629	Jun 14,2012



CONNECT EDGE
RECOMMEND PCB LAYOUT
TOLERANCE: ±0.05
TOP VIEW

MATERIALS:

- HOUSING: THERMOPLASTIC (UL94V-0) BLACK.
- TERMINAL: COPPER ALLOY
PLATING: GOLD PLATED ON CONTACT AREA, TIN PLATED ON SOLDER TAILS. NICKEL UNDER PLATED OVERALL.
- SHELL: COPPER ALLOY
PLATING: NICKEL PLATED OVERALL.
- SPRING: STAINLESS STEEL,

SPECIFICATION

- CURRENT RATING : 0.5 A MAX.
- DIELECTRIC WITHSTANDING VOLTAGE : 500V AC R.M.S. FOR ONE MINUTE.
- CONTACT RESISTANCE : 30mΩ MAX.
- INSULATION RESISTANCE : 100 MΩ MIN. AT 500V DC.
- OPERATING TEMPERATURE : -55°C TO +85°C.

PART NUMBER INFORMATION :

3690019-X54-H

SERIES CODE SMT FEMALE NUMBER OF POSITIONS
H: HALOGEN FREE FOLLOW NUMBER PLATING SEE TABLE

DESCRIPTION OF PLATING ON TERMINALS			
NO.	EXPLAIN	NO.	EXPLAIN
0	GOLD FLASH	3	GOLD 15u"
6	GOLD 30u"		

TOLERANCE .0=±0.25 .00=±0.15 .000=±0.05 ANG.=±3°	DRAWER <i>young</i> CHECK <i>slong</i>	 ASTRON TECHNOLOGY CORP.
	APP'D <i>Jason</i>	
UNITS : mm SCALE NONE SIZE A6 SHEET 1 OF 1 REV. B	PRODUCT SPEC. _____	DRAW NO. R3690019-X54-H