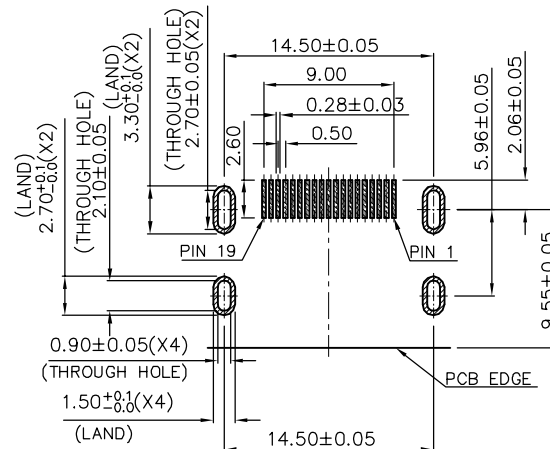
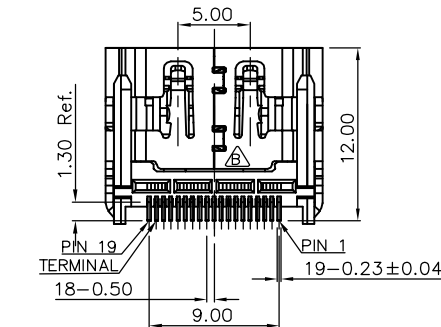
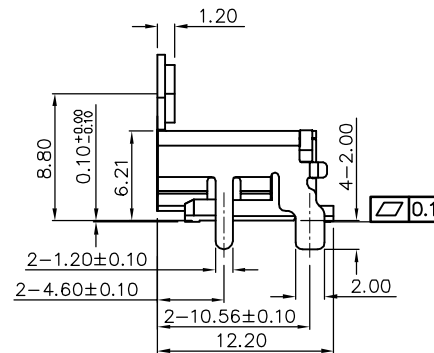
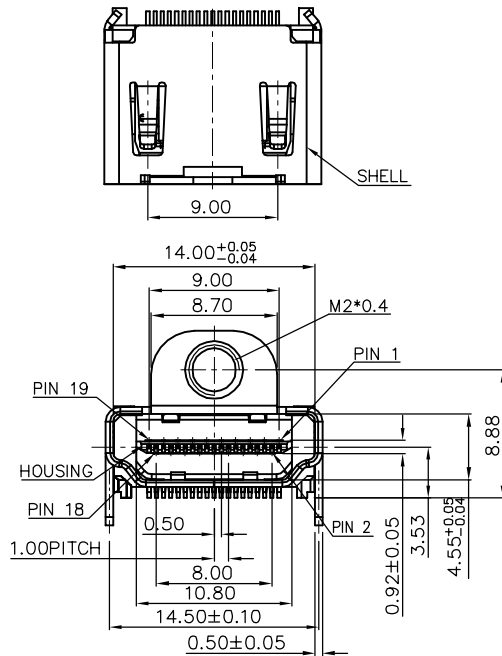


REV.	DESCRIPTION	DATE
A	N15'06016	May 11, 2015
B	N17'08005	Aug 16, 2017



RECOMMENDED PCB LAYOUT(TOP VIEW)
(THICKNESS=1.4±0.10mm)
(TOLERANCE=±0.03mm)

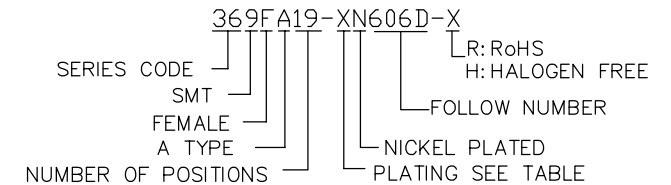
MATERIALS

- HOUSING : HI.-TEMP PLASTIC (UL 94V-0) BLACK
- TERMINAL : COPPER ALLOY, T=0.20±0.02 mm
PLATING : GOLD PLATED OVER NICKEL ON CONTACT AREA AND TIN PLATED OVER NICKEL
- SHELL : COPPER ALLOY
PLATING : NICKEL PLATED OVERALL.

SPECIFICATION

- CURRENT RATING : 0.5A. MAX.
- DIELECTRIC WITHSTANDING VOLTAGE : 500V AC R.M.S. FOR ONE MINUTE(UNMATED).
- INSULATION RESISTANCE : 100MΩ MIN AT 500V DC(UNMATED).
- OPERATING TEMPERATURE : -25°C TO +85°C.
- DURABILITY : 10000 CYCLES.

PART NUMBER INFORMATION :



HDMI TYPE A PIN ASSIGNMENT

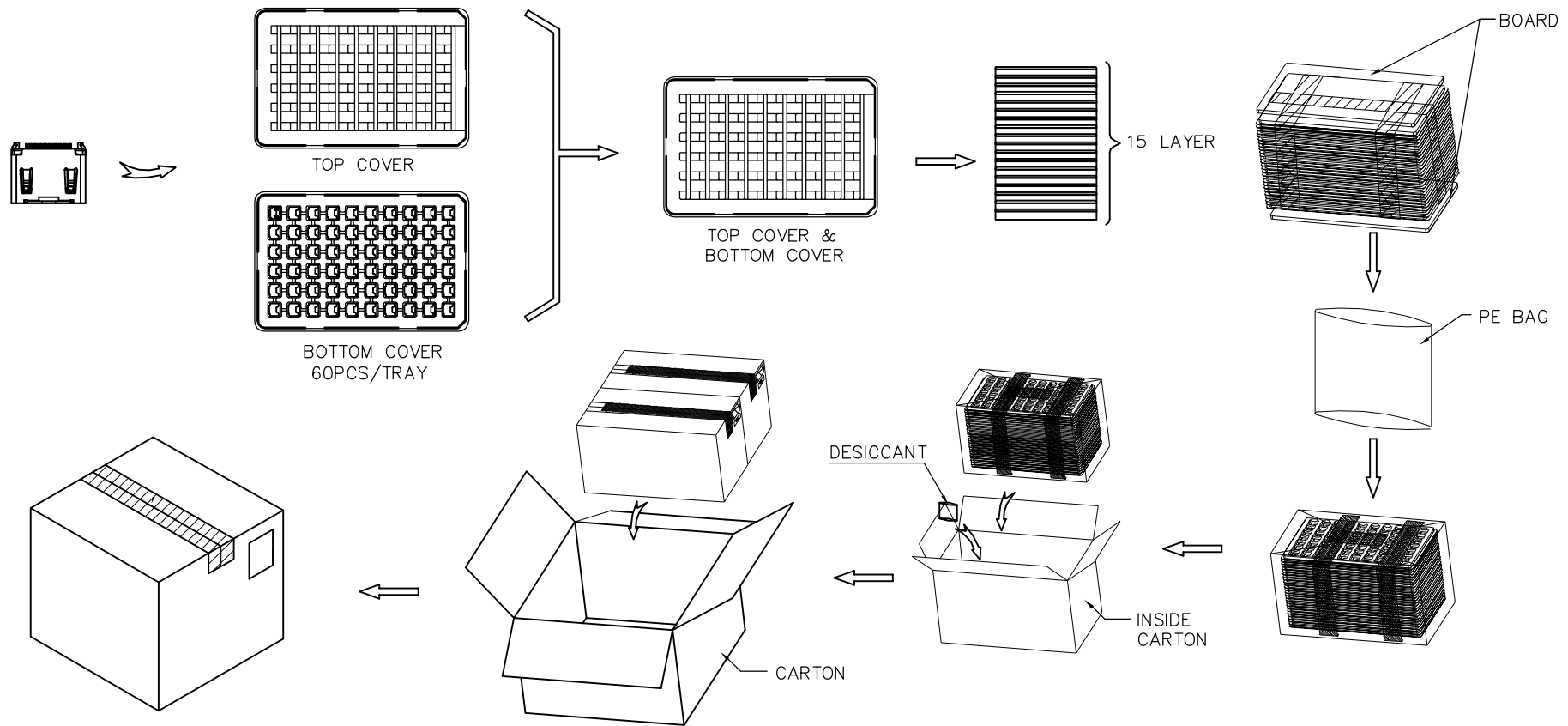
PIN	Signal Assignment	PIN	Signal Assignment
1	TMDS Data2+	11	TMDS Clock Shield
2	TMDS Data2 Shield	12	TMDS Clock-
3	TMDS Data2-	13	CEC
4	TMDS Data1+	14	Reserved (N.C. on device)
5	TMDS Data1 Shield	15	SCL
6	TMDS Data1-	16	SDA
7	TMDS Data0+	17	DDC/CEC Ground
8	TMDS Data0 Shield	18	+5V Power
9	TMDS Data0-	19	Hot Plug Detect
10	TMDS Clock+		

DESCRIPTION OF PLATING ON TERMINALS

NO.	EXPLAIN	NO.	EXPLAIN
0	GOLD FLASH	3	GOLD 15u"
6	GOLD 30u"		

TOLERANCE .0=±0.38 .00=±0.25 .000=±0.05 ANG.=±3'	DRAWER CHECK APP'D	 ASTRON TECHNOLOGY CORP. NAME HDMI A TYPE+FLANGE
UNITS : mm	PRODUCT SPEC.	
SCALE NONE	SIZE A6	DRAW NO. R369FA19-XN606D-X
SHEET 1 OF 2	REV. B	

REV.	DESCRIPTION	DATE
A	N15'06016	May 11, 2015
B	N17'08005	Aug 16, 2017





NOTES:

MATERIAL :
1.BOTTOM COVER&UP COVER: PVC

QUANTITY:
1. 60 PCS/TRAY
2. 1800PCS/CARTON

DIMENSION :
BOTTOM COVER SIZE : 288*188*10
TOP COVER SIZE: 288*188*20
CARTON SIZE : 460*330*300

TOLERANCE		DRAWER		 ASTRON TECHNOLOGY CORP.
.0=±0.38		CHECK		
.00=±0.25		APP'D		
.000=±0.05		PRODUCT SPEC.		NAME
ANG.=±3'		—		HDMI A TYPE+FLANGE
		SCALE		DRAW NO.
UNITS : mm		SIZE A6		R369FA19-XN606D-X
SCALE NONE	SIZE A6	SHEET 2 OF 2	REV. B	