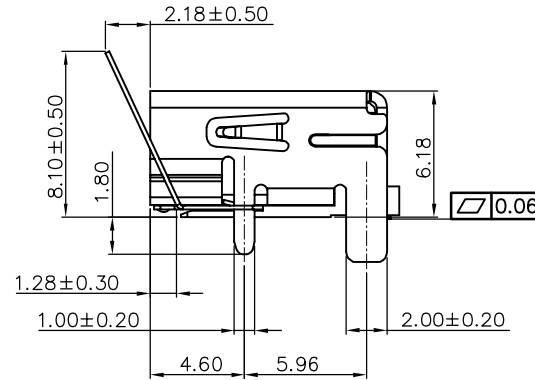
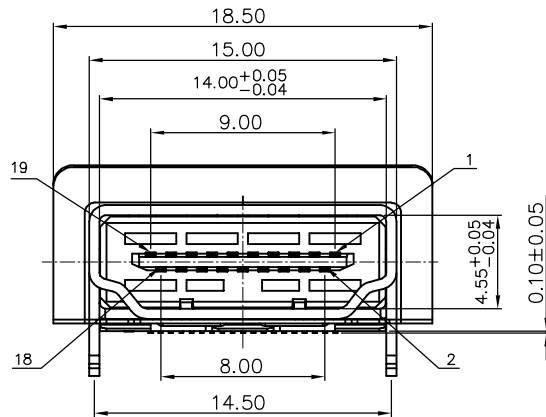


REV.	DESCRIPTION	DATE
A	N17'07011	Jul.21, 2017



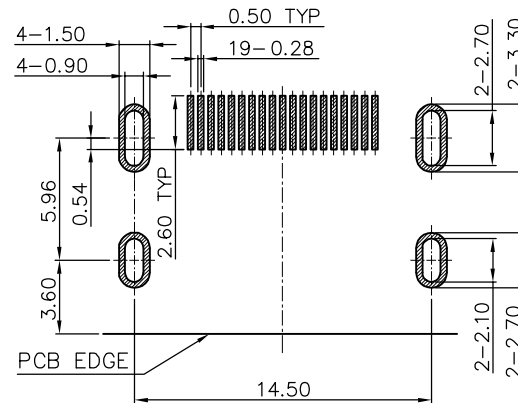
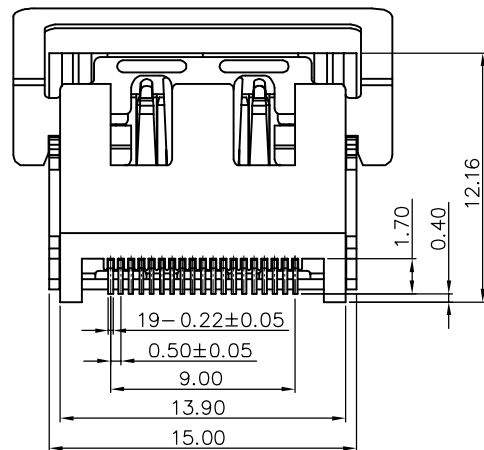
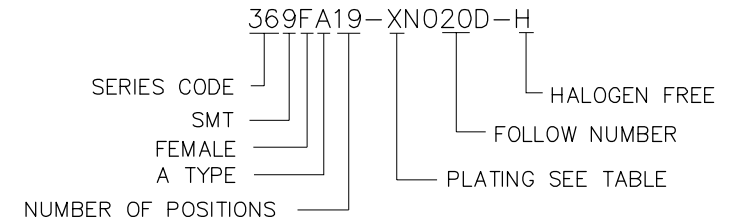
MATERIALS

1. HOUSING : HIGH TEMP THERMOPLASTIC,UL 94V-0.BLACK.
2. TERMINAL : COPPER ALLOY,THICKNESS=0.20mm
GOLD PLATING ON CONTACT AREA,
TIN PLATING ON SOLDER TAIL.
3. SHELL : COPPER ALLOY,THICKNESS=0.50mm
NICKEL PLATING.
4. SPRING : STAINLESS STEEL,THICKNESS=0.20mm

SPECIFICATION

1. CURRENT RATING : 0.5 AMP. MAX.
2. DIELECTRIC WITHSTANDING VOLTAGE :
500V AC R.M.S. FOR ONE MINUTE.
3. INSULATION RESISTANCE : 100M OHMS MIN.
4. CONTACT RESISTANCE : 30m OHMS MAX.
5. OPERATING TEMPERATURE : -25°C TO +85°C.

PART NUMBER INFORMATION:

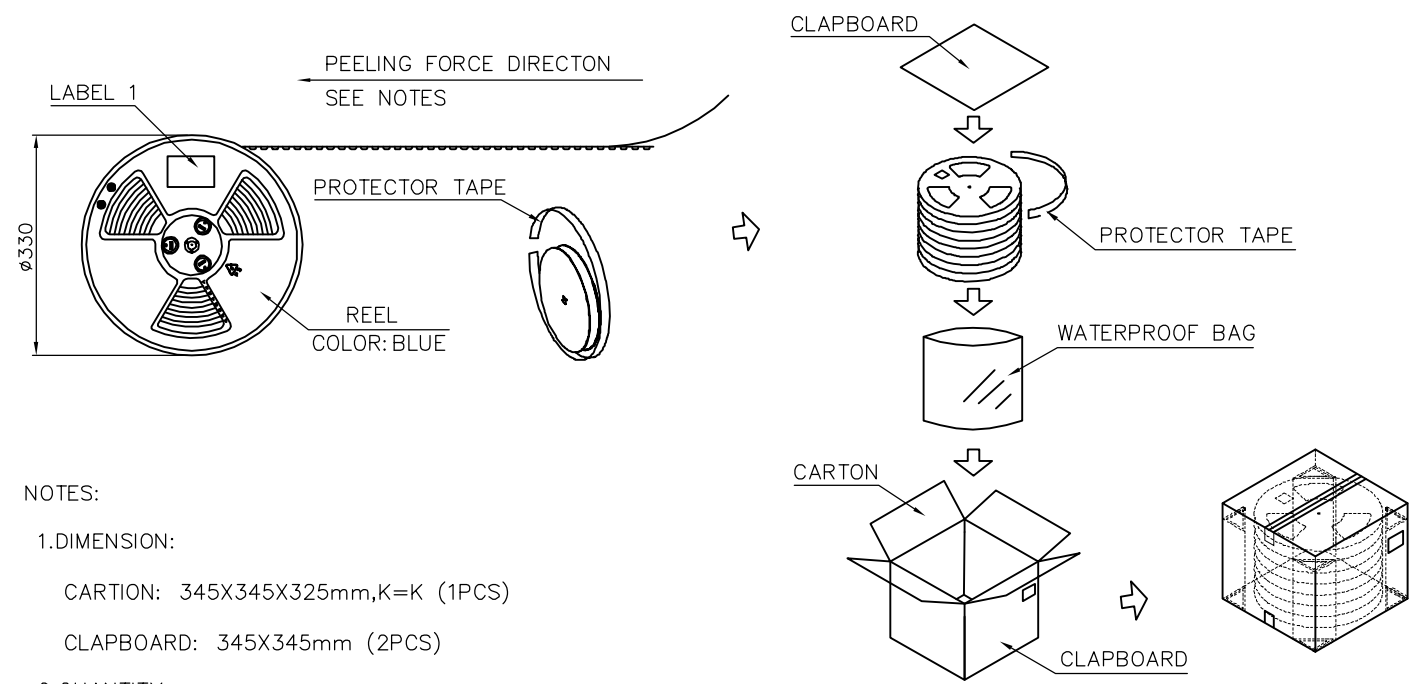
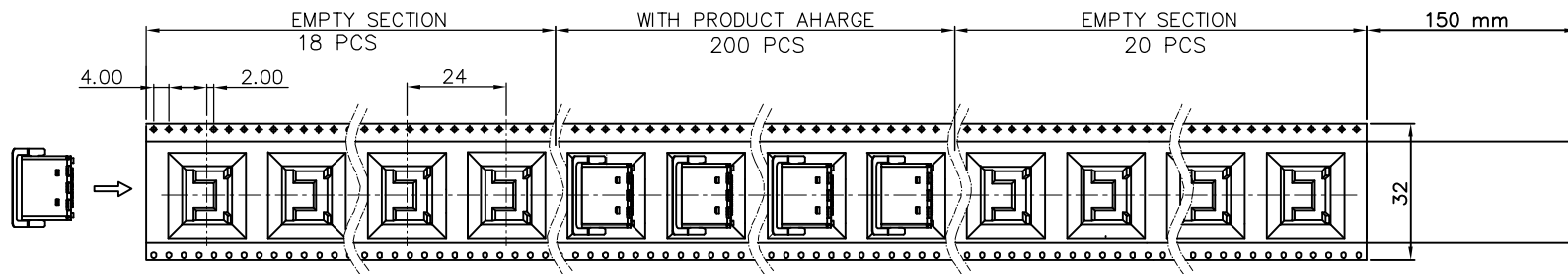


RECOMMENDED PCB LAYOUT(TOP VIEW)
(TOLERANCE=±0.05mm)

DESCRIPTION OF PLATING ON TERMINALS			
NO.	EXPLAIN	NO.	EXPLAIN
0	GOLD FLASH	6	GOLD 30u"
3	GOLD 15u"		

TOLERANCE .0=±0.30 .00=±0.25 .000=±0.05 ANG.=±3'	DRAWER CHECK APP'D	 Astron ASTRON TECHNOLOGY CORP. NAME HDMI CONNECTOR RIGHT ANGLE HEADER SMT TYPE, W/SPRING
 UNITS : mm SCALE NONE SIZE A7 SHEET 1 OF 2 REV. A	PRODUCT SPEC. DRAW NO. R369FA19-XN020D-H	

REV.	DESCRIPTION	DATE
A	N17'07011	Jul.21, 2017



NOTES:

1.DIMENSION:

CARTION: 345X345X325mm,K=K (1PCS)



CLAPBOARD: 345X345mm (2PCS)

2.QUANTITY:

200 PCS/REEL

8 REEL/SHIPPING CARTON

1600 PCS/SHIPPING CARTON

TOLERANCE .0=±0.30 .00=±0.25 .000=±0.05 ANG.=±3'	DRAWER		 ASTRON TECHNOLOGY CORP.
	CHECK		
APP'D		NAME	
 UNITS : mm		PRODUCT SPEC. _____	
SCALE NONE	SIZE A7	SHEET 2 OF 2	REV. A
DRAW NO.			R369FA19-XN020D-H