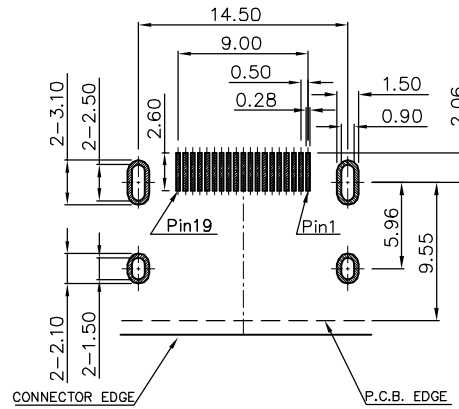
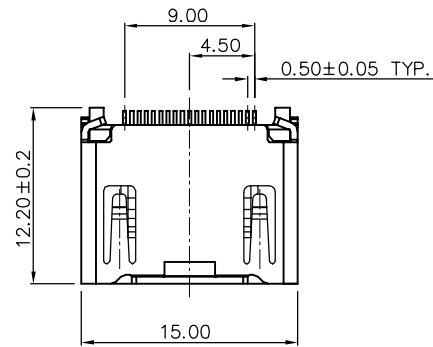
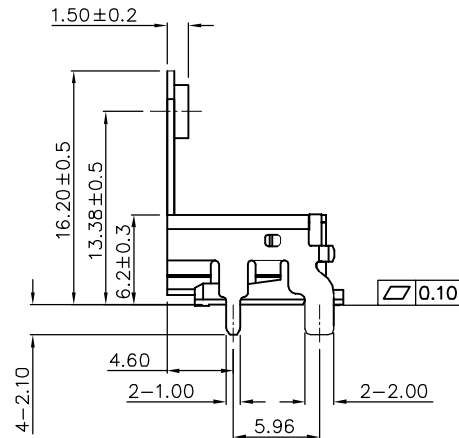
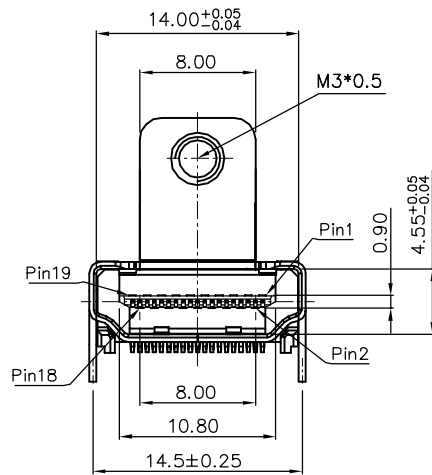


REV.	DESCRIPTION	DATE
A	N17'03014	Mar 22, 2017



RECOMMEND PCB LAYOUT
TOLERANCE: ±0.05
TOP VIEW



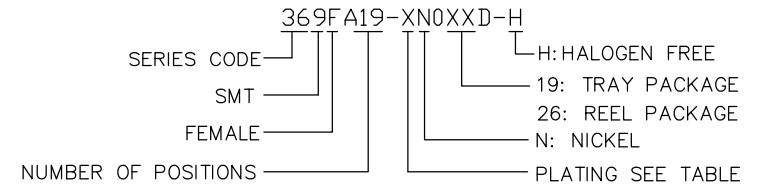
MATERIALS

- HOUSING : LCP PLASTIC(UL 94V-0), BLACK.
- TERMINAL : COPPER ALLOY,
PLATING : GOLD PLATED ON CONTACT AREA,TIN PLATED ON SOLDER TAILS.
- SHELL : COPPER ALLOY,
PLATING : NICKEL PLATED OVERALL.

SPECIFICATION

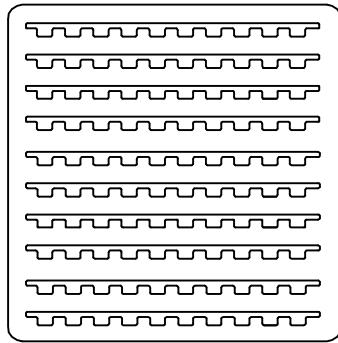
- CURRENT RATING : 0.5 A. MAX.
- DIELECTRIC WITHSTANDING VOLTAGE :
500V AC R.M.S. FOR 1 MINUTE.
- INSULATION RESISTANCE : 100MΩ MIN.AT 500V DC.
- CONTACT RESISTANCE : 30mΩ MAX.
- OPERATING TEMPERATURE : -25°C TO +85°C.
- INSERTION FORCE : 4.5Kgf MAX.
- WITHDRAWING FORCE : 1Kgf ~ 4Kgf.

PART NUMBER INFORMATION :

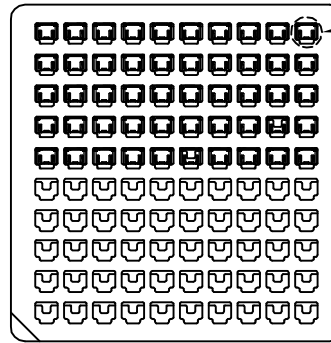


DESCRIPTION OF PLATING ON TERMINALS			
NO.	EXPLAIN	NO.	EXPLAIN
0	GOLD FLASH	3	GOLD 15u"
6	GOLD 30u"		
TOLERANCE .0=±0.25 .00=±0.15 .000=±0.05 ANG.=±3'		DRAWER CHECK APP'D NAME HDMI FEMALE A TYPE+FLANGE, SMT TYPE	
 UNITS : mm		DRAW NO. R369FA19-XN0XXD-H	
SCALE NONE	SIZE A6	SHEET 1 OF 3	REV. A

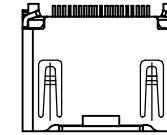
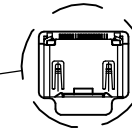
REV.	DESCRIPTION	DATE
A	N17'03014	Mar 22, 2017



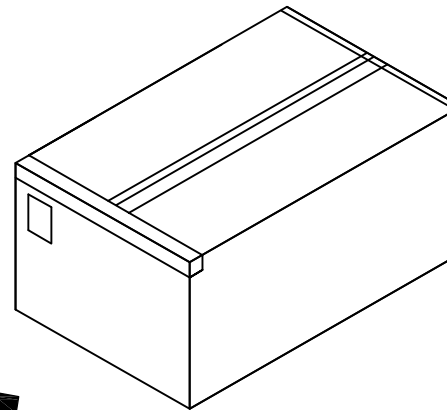
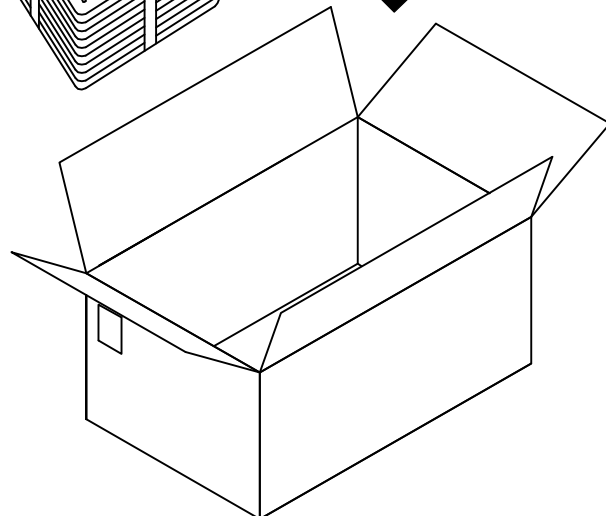
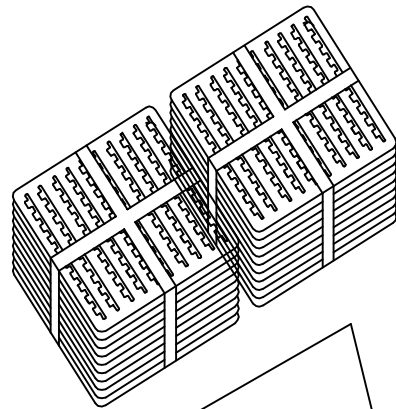
UP COVER



BOTTOM COVER



PRODUCT



2000 PCS/CARTON

TAPE & PACKAGE :

MATERIAL:

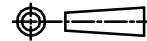
- 1. BOTTOM COVER&UP COVER: PET

QUANTITY:

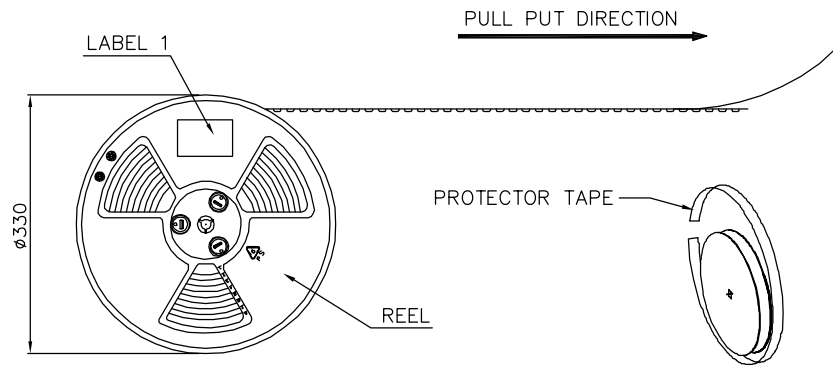
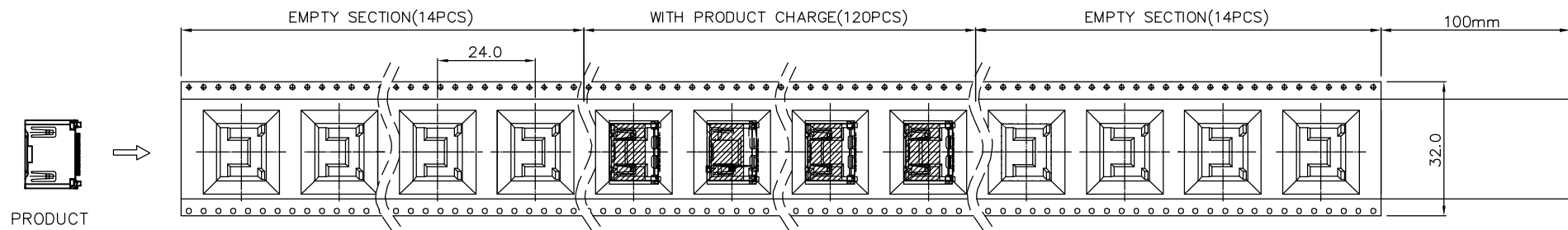
- 1. 100 PCS/TRAY
- 2. 2000PCS/CARTON

DIMENSION:

- 1. CARTON SIZE : 470*230*200

TOLERANCE		DRAWER		Atron ASTRON TECHNOLOGY CORP.
.0=±0.25		CHECK		
.00=±0.15		APP'D		
.000=±0.05		PRODUCT SPEC.		NAME
ANG.=±3'		—		HDMI FEMALE A TYPE+FLANGE, SMT TYPE
 UNITS : mm		SCALE		DRAW NO.
		NONE		R369FA19-XNOXXD-H
SIZE	A6	SHEET	REV.	
		2 OF 3	A	

REV.	DESCRIPTION	DATE
A	N17'03014	Mar 22, 2017



PULL PUT DIRECTION →

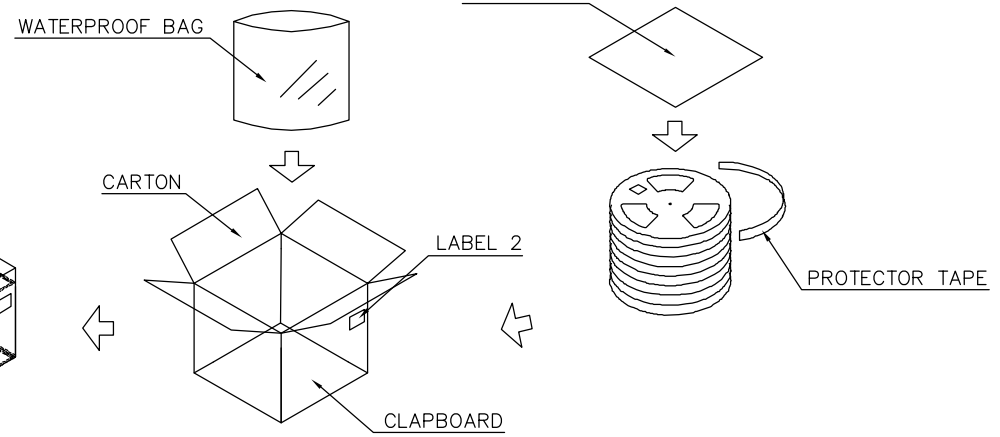
TAPE & PACKAGE :

- MATERIAL :**
1. CARRIER TAPE : PS
 2. COVER TAPE: PE
 3. REEL : PS

- QUANTITY:**
1. 120 PCS/REEL
 2. 1200PCS/CARTON

DIMENSION :

- REEL SIZE :**
DIA=330.0mm, W=37.5mm
- CARTON :**
L=350mm, W=350mm, H=380mm



TOLERANCE .0=±0.25 .00=±0.15 .000=±0.05 ANG.=±3'	DRAWER		 ASTRON TECHNOLOGY CORP.
	CHECK		
 UNITS : mm	APP'D	NAME	HDMI FEMALE A TYPE+FLANGE, SMT TYPE
	PRODUCT SPEC.	DRAW NO.	
SCALE NONE	SIZE A6	SHEET 3 OF 3	REV. A
			R369FA19-XNOXXD-H