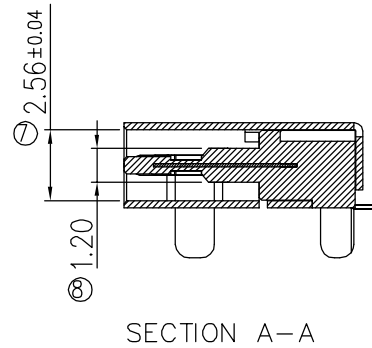
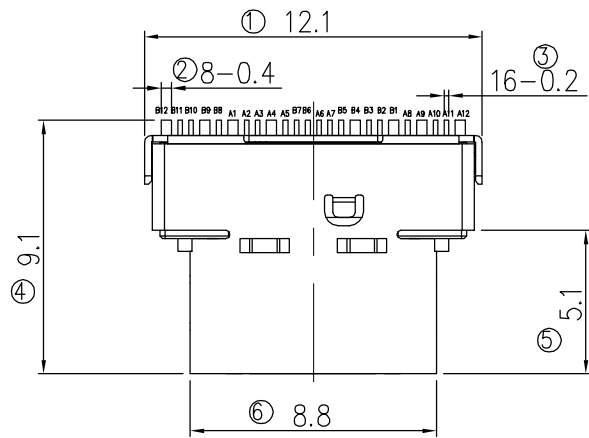


REV.	DESCRIPTION	DATE
1	PRELIMINARY	Dec.06,2018

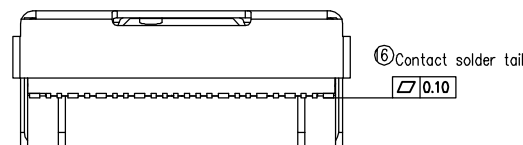
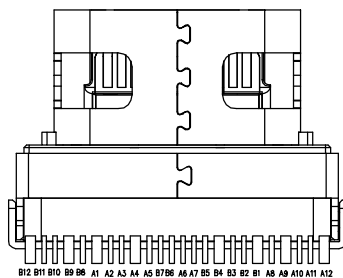
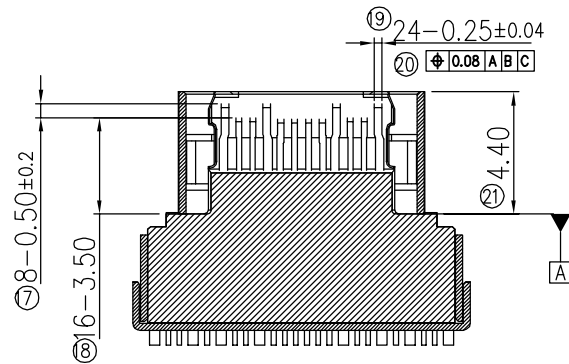
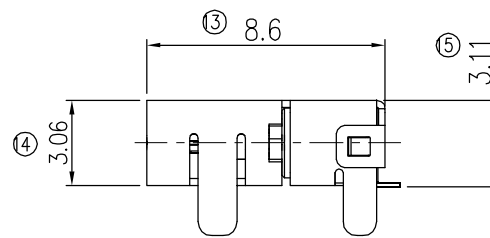
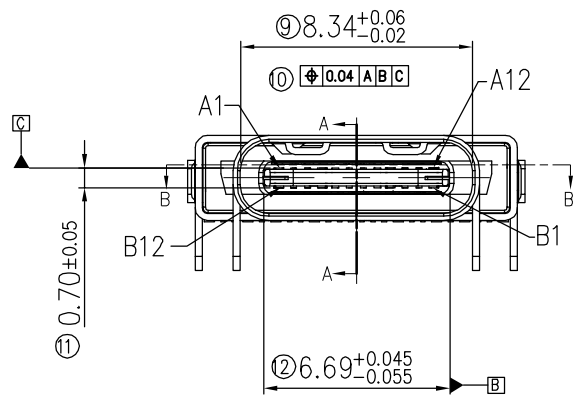


MATERIALS

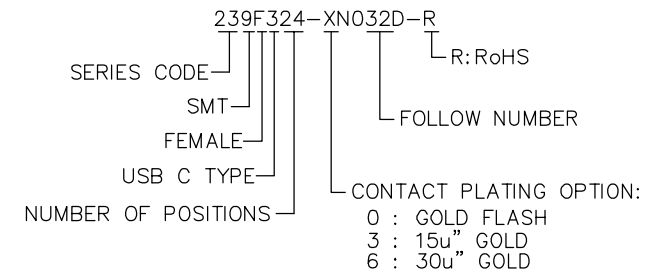
- HOUSING: HIGH TEMPERATURE PLASTIC, STANDRAD COLOR-BLACK.
- TERMINAL : COPPER ALLOY.
PLATING: UNDER NICKEL PLATING OVER ALL
GOLD PLATING ON CONTACT AREA
MATTE TIN PLATED ON SOLDER TAILS.
- SHELL: STAINLESS STEEL.
PLATING: GOLD FLASH ON SOLDER TAILS, NICKEL PLATING.
- MID PLATE: STAINLESS STEEL.

SPECIFICATION

- CURRENT RATING: 1.75A FOR (A1,A4,A9,A12,B1,B4,B9,B12)
0.25A FOR OTHER PER PIN.
- VOLTAGE RATING: AC 20V RMS.
- INSULATION RESISTANCE : 100M OHMS MIN.
- CONTACT RESISTANCE : 40mΩ MAX.
- INSERTION FORCE : 5~20N
- EXTRACTION FORCE : 8~20N, 1~1000 CYCLES
6~20N, 1001~10000 CYCLES.
- DURABILITY : 10,000 CYCLE.
- OPERATING TEMPERATURE : -40°C TO +85°C.

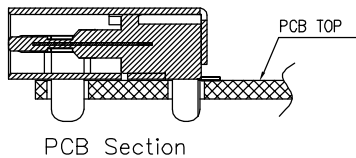


PART NUMBER INFORMATION :

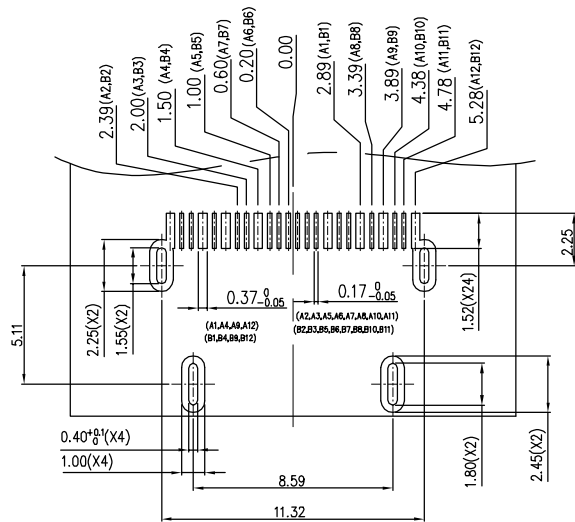
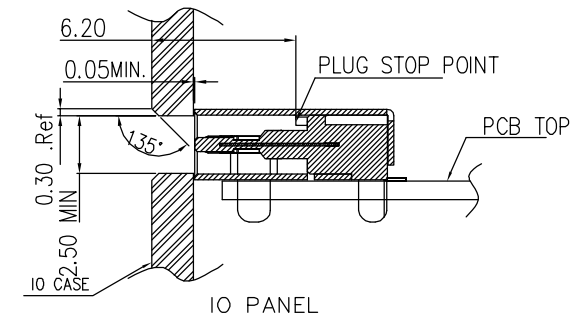


TOLERANCE 0.=±0.50 .0=±0.25 .00=±0.13 .000=±0.08 ANG.=±3°		DRAWER <i>DMU</i>		 ASTRON TECHNOLOGY CORP.
UNITS : mm		CHECK <i>SPURD FU</i>		
SCALE NONE		APP'D <i>SPURD FU</i>		NAME USB C TYPE FEMALE FOR 7A
SIZE A4		PRODUCT SPEC. —		DRAW NO. 239F324-XN032D-R
SHEET 1 OF 1		REV. 1		

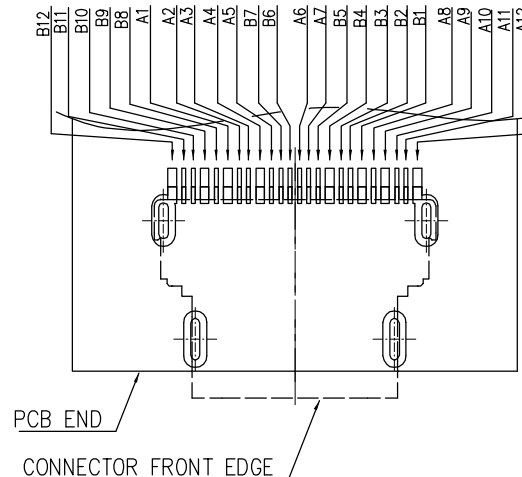
REV.	DESCRIPTION	DATE
1	PRELIMINARY	Dec.06,2018



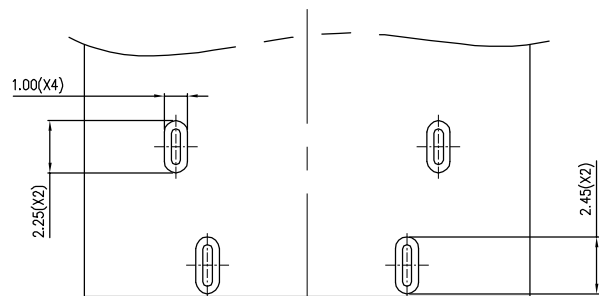
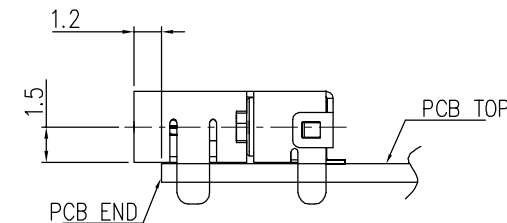
PIN ASSIGNMENT											
A1	A2	A3	A4	A5	A6	A7	A8	A9	A10	A11	A12
GND	TX1+	TX1-	VBUS	CC1	D+	D-	SBU1	VBUS	RX2-	RX2+	GND
GND	RX1+	RX1-	VBUS	SBU2	D-	D+	CC2	VBUS	TX2-	TX2+	GND
B12	B11	B10	B9	B8	B7	B6	B5	B4	B3	B2	B1



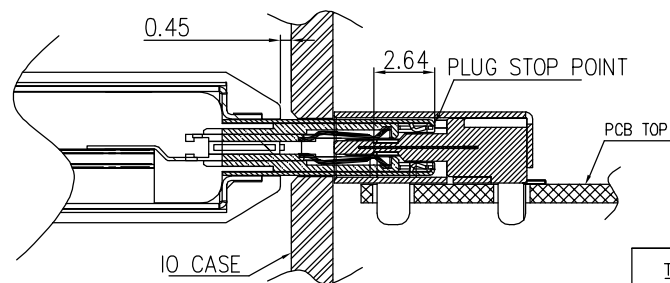
RECOMMENDED P.C.B LAYOUT TOP VIEW
TOLERANCES ± 0.05 MM


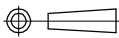


P.C.B LAYOUT TOP VIEW WITH CONNECTORS



RECOMMENDED P.C.B LAYOUT BOTTOM VIEW
TOLERANCES ± 0.05 MM



TOLERANCE 0.= ± 0.50 .0= ± 0.25 .00= ± 0.13 .000= ± 0.08 ANG.= $\pm 3^\circ$	DRAWER <i>DM</i>	 ASTRON TECHNOLOGY CORP.
	CHECK <i>SPURD FU</i>	
 UNITS : mm	APP'D <i>SPURD FU</i>	DRAW NO. 239F324-XN032D-R
	PRODUCT SPEC. —	
SCALE NONE	SIZE A4	REV. 1