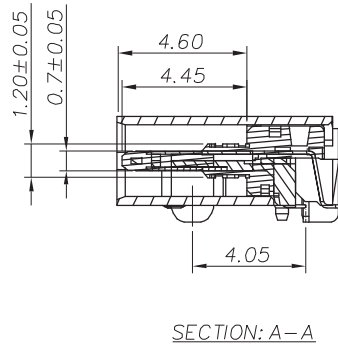
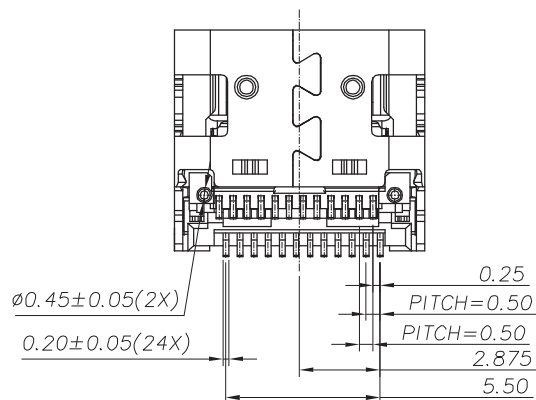
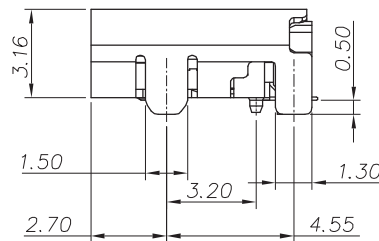
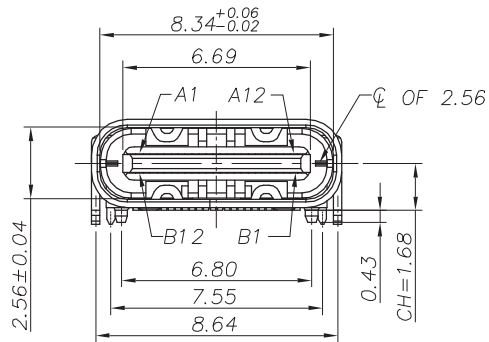
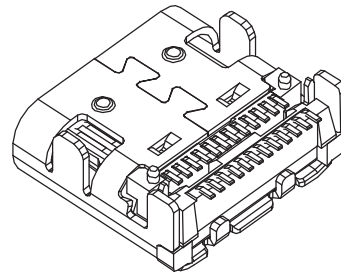
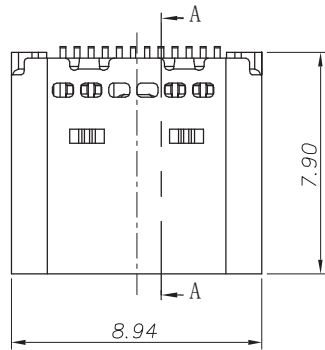


REV.	DESCRIPTION	DATE
1	PRELIMINARY	Nov.15 ,2018



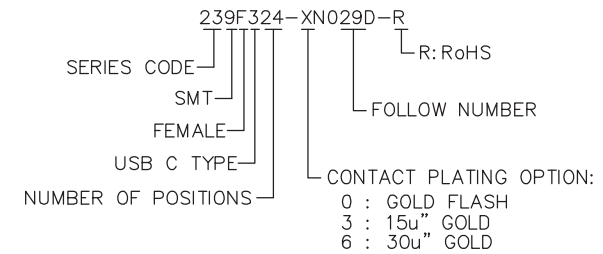
### MATERIALS


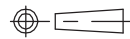
- HOUSING : HIGH TEMPERATURE RESISTANT PLASTIC,UL94 V-0.
- TERMINAL : COPPER ALLOY .  
PLATING: UNDER NICKEL PLATING OVER ALL  
GOLD PLATING ON CONTACT AREA  
GOLD FLASH PLATED ON SOLDER TAILS.
- MID PLATE: STAINLESS STEEL,CLEAR ONLY.
- FRONT SHELL: STAINLESS STEEL,UNDER PLATED OVER ALL.

### SPECIFICATION

- CURRENT RATING: 5.0A  
VOLTAGE RATING: 5.0V
- DIELECTRIC WITHSTANDING VOLTAGE :  
100V AC R.M.S. FOR ONE MINUTE.
- INSULATION RESISTANCE : 100M OHMS MIN.
- CONTACT RESISTANCE :  
VBUS & GND PINS AND OTHER PINS: 40mΩ/PIN MAX.  
SHIELD: 50mΩ/MAX.  
LLCR MAX. CHANGE OF ALL PINS: 10mΩ.
- INSERTION FORCE : 0.5~2.0KG
- EXTRACTION FORCE : 0.8~2.0KG
- DURABILITY : 10,000 CYCLE.
- OPERATING TEMPERATURE : -25°C TO +85°C.
- IR REFLOW:  
THE PEAK TEMPERATURE ON THE BOARD SHALL  
BE MAINTAINED FOR 10 SECONDS AT 260°C.

### PART NUMBER INFORMATION :



TOLERANCE		DRAWER		 ASTRON TECHNOLOGY CORP.
.0=±0.30		DMM		
.00=±0.20		CHECK		
.000=±0.10		SUSURD FU		NAME
ANG.=±3°		APP'D		
		PRODUCT SPEC.		DRAW NO.
UNITS : mm		—		
SCALE	SIZE	SHEET	REV.	
NONE	A4	1 OF 1	1	