

REV.	DESCRIPTION	DATE
1	PRELIMINARY	May. 14, 2018
2	DRAW. MODIFY	May. 17, 2018
3	DRAW. MODIFY	May. 30, 2018
4	DRAW. MODIFY	May. 31, 2018
5	WATERPROOF LEVEL	Oct. 05, 2018
6	DRAW. MODIFY	NOV. 20, 2018
7	DRAW. MODIFY	Dec. 06, 2018

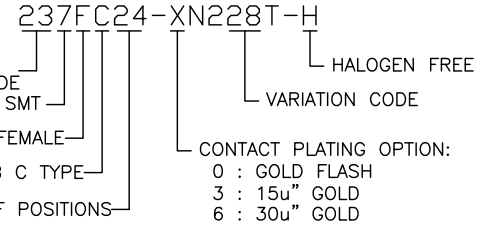
MATERIALS

- HOUSING : HI-TEMP. PLASTIC (UL 94V-0), BLACK.
- TERMINAL : COPPER ALLOY (t=0.15mm), GOLD PLATED ON CONTACT AREA, TIN PLATED ON SOLDER TAIL, UNDER NICKEL PLATED OVER ALL.
- INNER SHELL : STAINLESS STEEL(t=0.25mm).
- OUTER SHELL : STAINLESS STEEL (t=0.20mm), NICKEL PLATING.

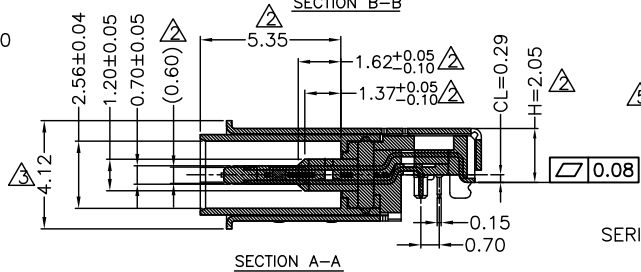
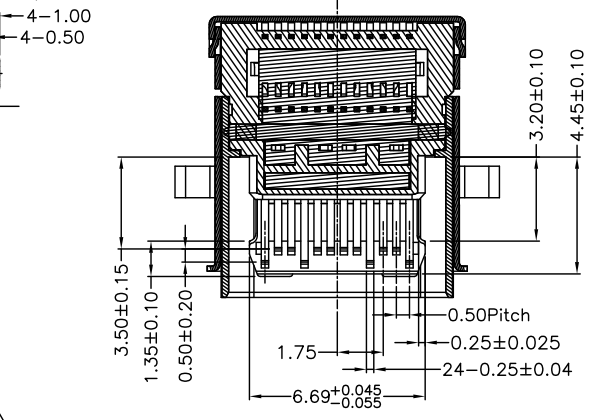
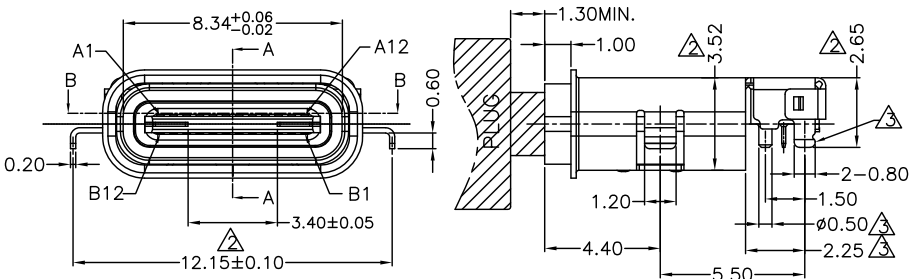
SPECIFICATION

- CURRENT RATING :
5A MAX. for VBUS (A4,A9,B4,B9)
1.25A MAX. for Vconn PIN(B5 of Plug)
WITH RETURN PATH THROUGH THE CORRESPONDING GND PIN(A1,A12,B1,B12).
0.25A MAX. for ALL OTHER PIN
- RATING VOLTAGE : 30V DC/AC
- DIELECTRIC WITHSTANDING VOLTAGE : 100V AC R.M.S. FOR ONE MINUTE.
- INSULATION RESISTANCE : 100M OHMS MIN.
- CONTACT RESISTANCE : 40m OHMS MAX.
- INSERTION FORCE : 5~20N
- EXTRACTION FORCE : 8~20N
- DURABILITY : 10,000 CYCLE.
- OPERATING TEMPERATURE : -40°C TO +85°C.
- WATERPROOF LEVEL : IP-X7

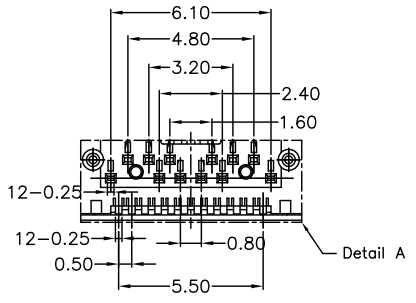
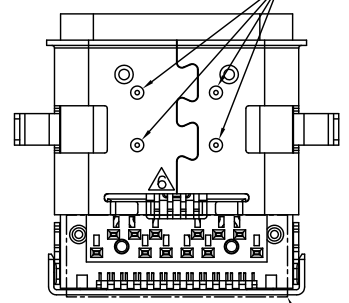
PART NUMBER INFORMATION :



RECOMMENDED PADS LAYOUT TOP VIEW



ADD 4 POINTS LASER WELDING



Pin	Signal Name	Mating Sequence	Pin	Signal Name	Mating Sequence
A1	GND	First	B12	GND	First
A2	SSTXp1	Second	B11	SSRXp1	Second
A3	SSTXn1	Second	B10	SSRXn1	Second
A4	Vbus	First	B9	Vbus	First
A5	CC1	Second	B8	SBU2	Second
A6	Dp1	Second	B7	Dn2	Second
A7	Dn1	Second	B6	Dp2	Second
A8	SBU1	Second	B5	CC2	Second
A9	Vbus	First	B4	Vbus	First
A10	SSRXn2	Second	B3	SSTXn2	Second
A11	SSRXp2	Second	B2	SSTXp2	Second
A12	GND	First	B1	GND	First
SHELL	GND		SHELL	GND	

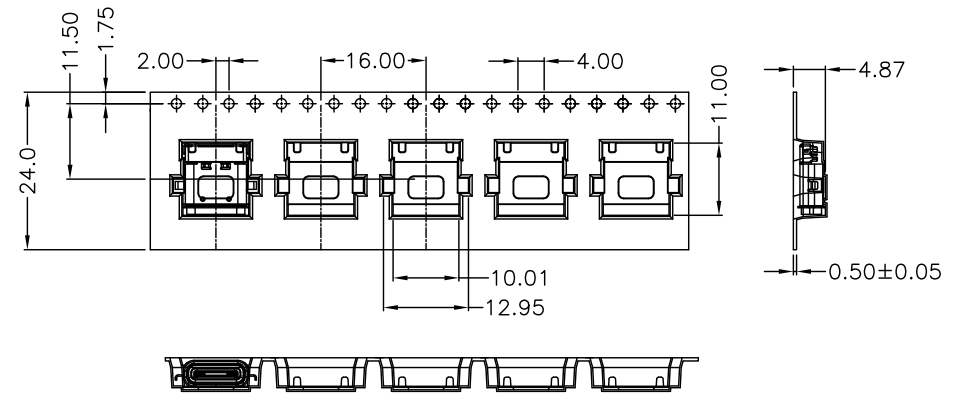
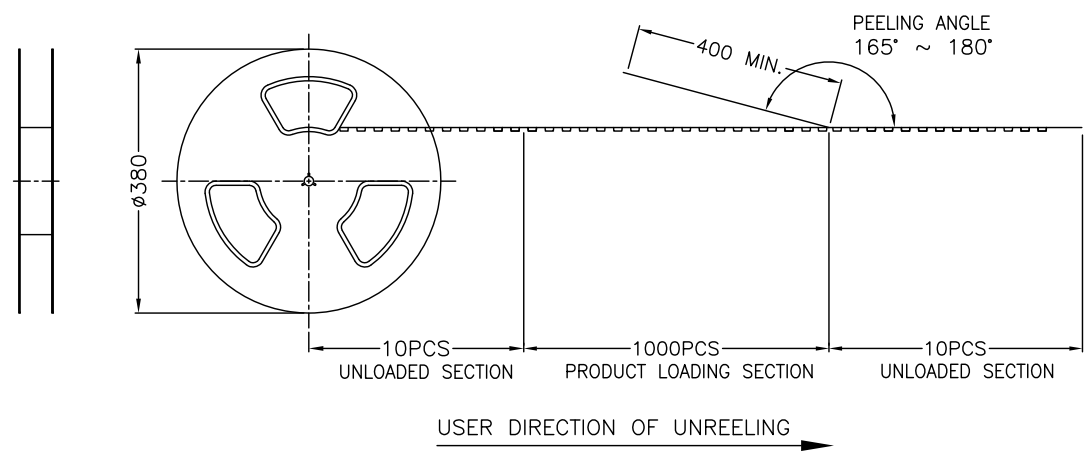
TOLERANCE	
.0=±0.30	
.00=±0.20	
.000=±	
ANG.=±3°	
UNITS : mm	
SCALE NONE	SIZE A4

DRAWER	NFC02E
CHECK	JOB
APP'D	ALAN
PRODUCT SPEC.	
SHEET	1 OF 2
REV.	7

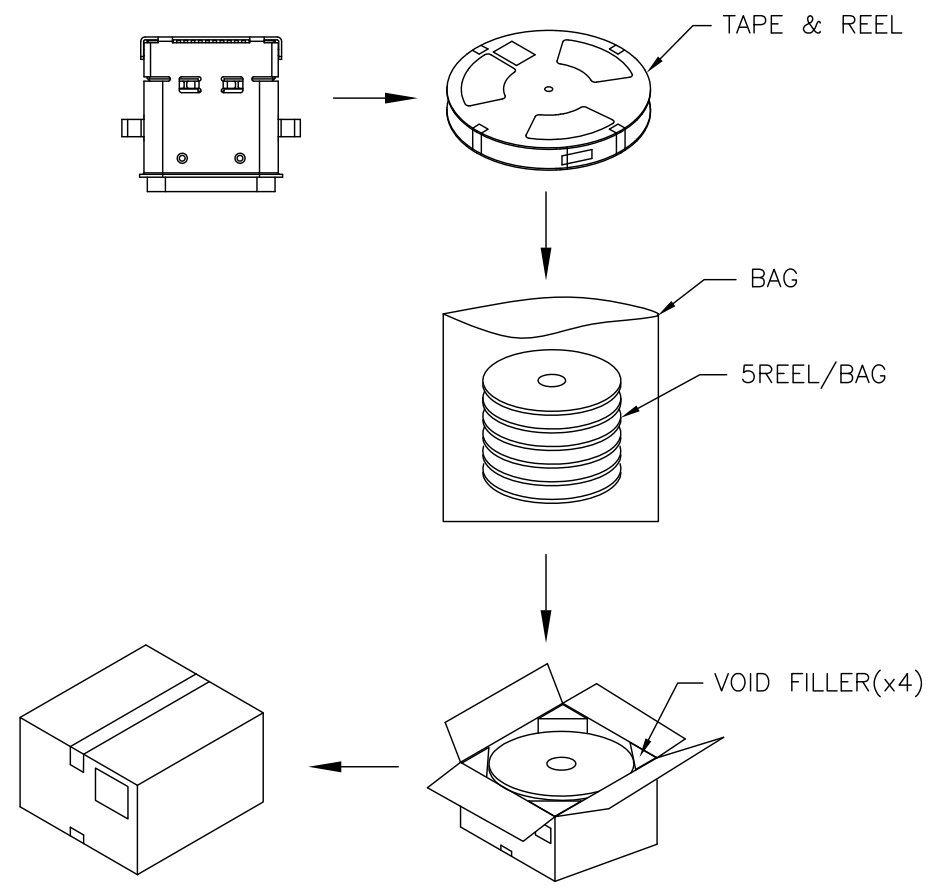
Astron	
WWW.ASTRON.COM.TW	
NAME	USB 3.1 C TYPE FEMALE 24P SMT+DIP TYPE, WATERPROOF MID MOUNT TYPE
DRAW NO.	237FC24-XN228T-H
T0123	

REV.	DESCRIPTION	DATE
1	PRELIMINARY	May. 14, 2018
2	DRAW. MODIFY	May. 17, 2018
3	DRAW. MODIFY	May. 30, 2018
4	DRAW. MODIFY	May. 31, 2018
5	WATERPROOF LEVEL	Oct. 05, 2018
6	DRAW. MODIFY	NOV. 20, 2018
7	DRAW. MODIFY	Dec. 06, 2018

F
E
D
C
B
A



- △ PACKAGE :
- 1000PCS/REEL
 - 5000PCS/5REEL/CARTON



TOLERANCE		DRAWER		Astron WWW.ASTRON.COM.TW
.0=±0.30		NFCOLE		
.00=±0.20		CHECK		NAME USB 3.1 C TYPE FEMALE 24P SMT+DIP TYPE, WATERPROOF MID MOUNT TYPE
.000=±		J08		
ANG.=±3°		APP'D		DRAW NO. 237FC24-XN228T-H
		ALAN		
UNITS : mm		PRODUCT SPEC.		T0123
SCALE	SIZE	SHEET	REV.	
NONE	A4	2 OF 2	7	

1 2 3 4 5 6 7 8