

REV.	DESCRIPTION	DATE
2	MODIFY DRAWING	Mar. 19, 2019
3	MODIFY DRAWING	Apr. 24, 2019
4	MODIFY DRAWING	Apr. 30, 2019

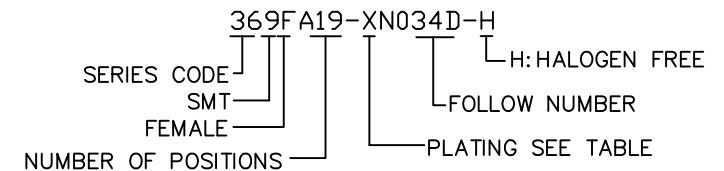
MATERIALS

- HOUSING : HI.-TEMP.PLASTIC(UL 94V-0), BLACK.
- TERMINAL : COPPER ALLOY,
PLATING : GOLD PLATED ON CONTACT AREA,
TIN PLATED ON SOLDER TAILS.
- SHELL : COPPER ALLOY,
PLATING : NICKEL PLATED OVERALL.
- EMI SHIELD : STEEL.


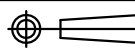
SPECIFICATION

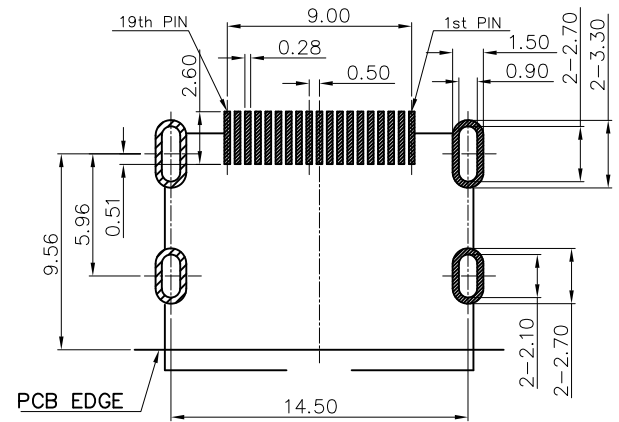
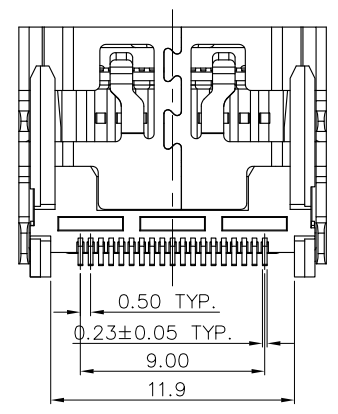
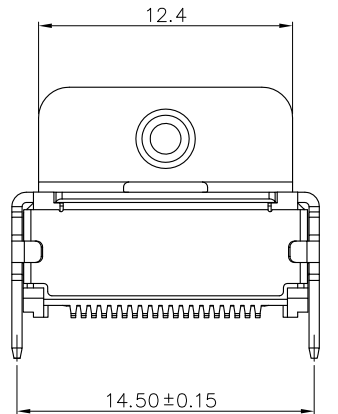
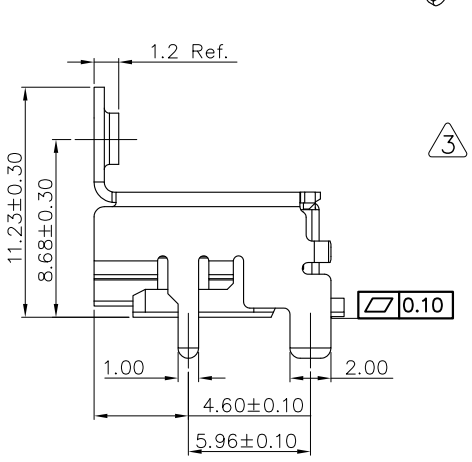
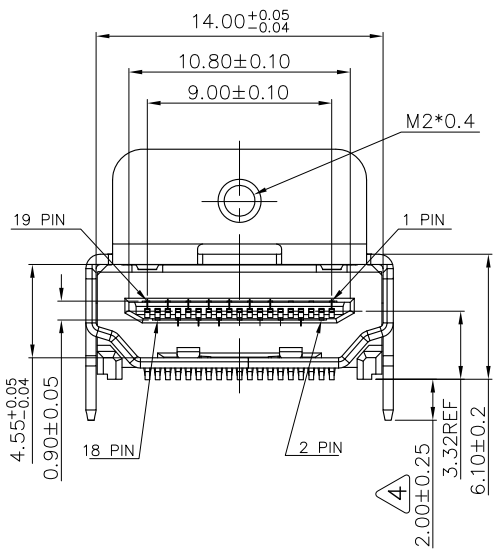
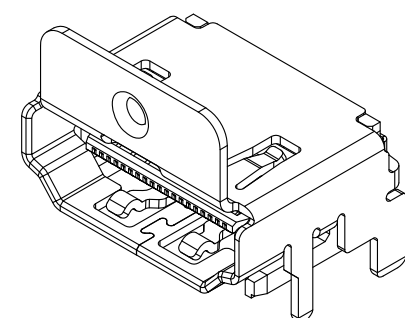
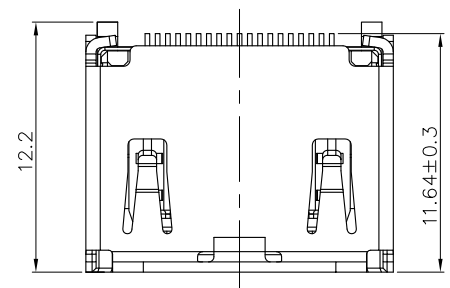
- CURRENT RATING : 0.5 A. MAX.
- DIELECTRIC WITHSTANDING VOLTAGE :
500V AC R.M.S. FOR 1 MINUTE.
- INSULATION RESISTANCE : 100MΩ MIN.AT 500V DC.
- CONTACT RESISTANCE : 30mΩ MAX.
- OPERATING TEMPERATURE : -25°C TO +85°C.
- INSERTION FORCE : 4.5Kgf MAX.
- WITHDRAWING FORCE : 1Kgf ~ 4Kgf.

PART NUMBER INFORMATION :



DESCRIPTION OF PLATING ON TERMINALS			
NO.	EXPLAIN	NO.	EXPLAIN
0	GOLD FLASH	3	GOLD 15u"
6	GOLD 30u"		

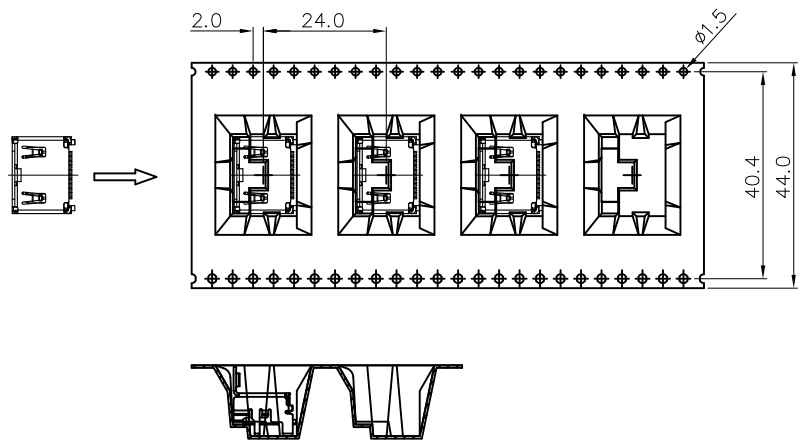
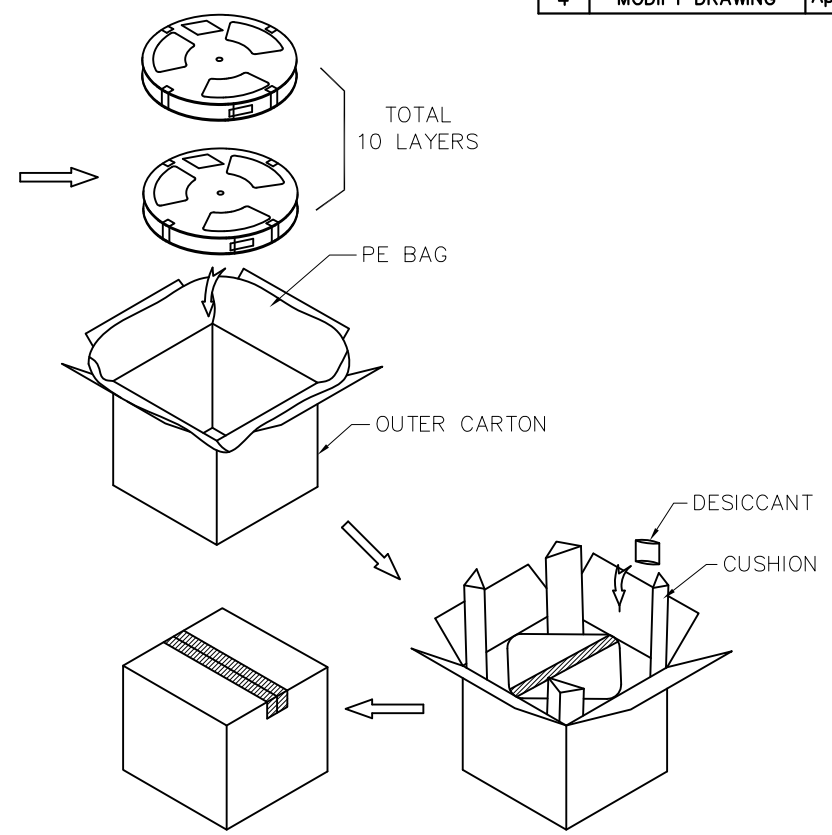
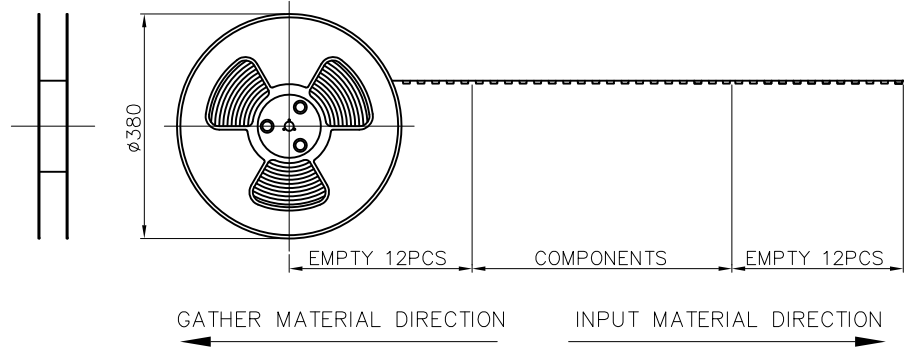
TOLERANCE .0=±0.25 .00=±0.15 .000=±0.05 ANG.=±3°	DRAWER <i>Shen</i> CHECK <i>Sheng</i> APP'D <i>Sheng</i>	 ASTRON TECHNOLOGY CORP.	
 UNITS : mm	PRODUCT SPEC. _____		
SCALE NONE	SIZE A7	SHEET 1 OF 2	REV. 4
			DRAW NO. 369FA19-XN034D-H



RECOMMEND PCB LAYOUT
TOLERANCE: ±0.05
TOP VIEW

REV.	DESCRIPTION	DATE
2	MODIFY DRAWING	Mar. 19, 2019
3	MODIFY DRAWING	Apr. 24, 2019
4	MODIFY DRAWING	Apr. 30, 2019

3



PACKAGE :

1. CORTON SIZE: 400x400x400mm (LxWxH)
2. 250 PCS/REEL
3. 10 REEL/CARTON = 2500PCS

TOLERANCE	
.0=±0.25	
.00=±0.15	
.000=±0.05	
ANG.=±3°	
UNITS : mm	
SCALE	SIZE
NONE	A7

DRAWER	Shen
CHECK	Sheny
APP'D	Sheny
PRODUCT SPEC.	—
SHEET	2 OF 2
REV.	4

Astron	
ASTRON TECHNOLOGY CORP.	
NAME	HDMI A 2.1 TYPE FEMALE WITH FLANGE(H=8.68)
DRAW NO.	R369FA19-XN034D-H