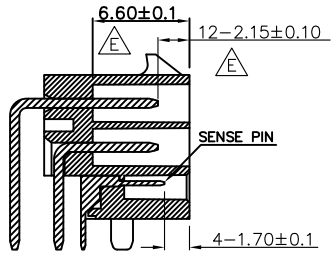
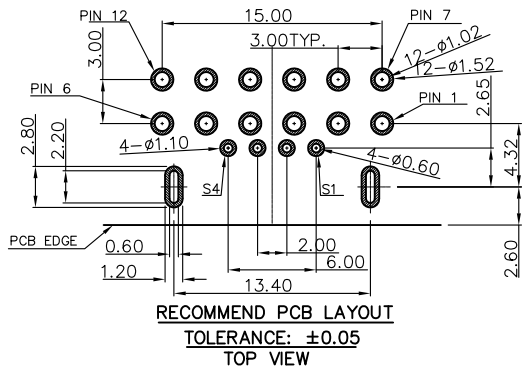
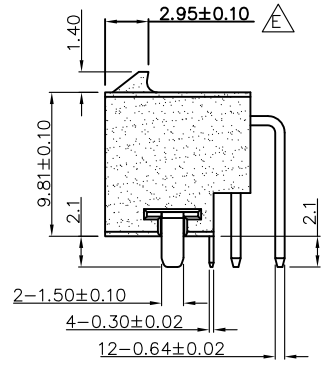
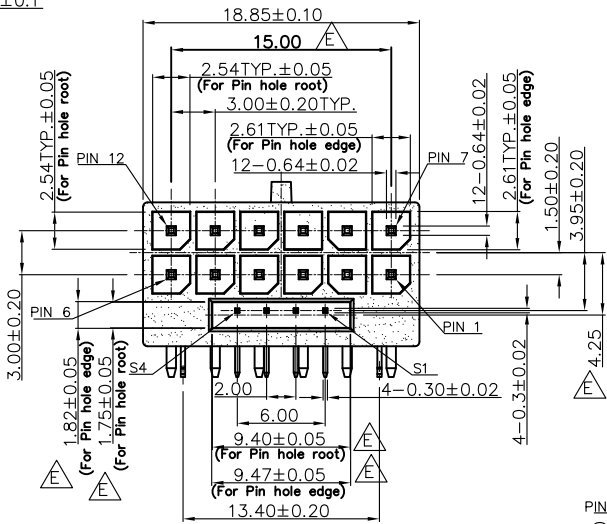
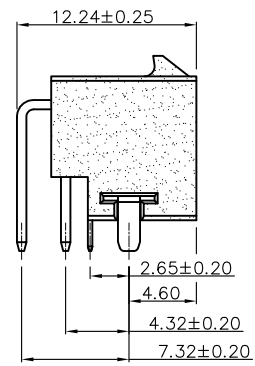
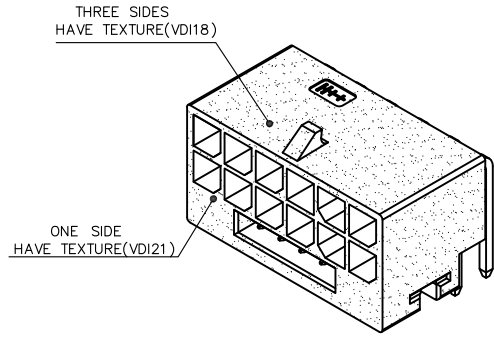
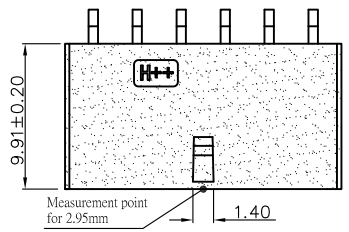


RoHS & HF Compliant

REV.	DESCRIPTION	DATE
B	ADD KEY OPTION	Dec.08, 2022
C	MODIFY	Jan.05, 2023
D	N23'02004	Feb.24, 2023
E	N23'05003	Mar.29, 2023



SECTION VIEW



RECOMMEND PCB LAYOUT  
TOLERANCE: ±0.05  
TOP VIEW

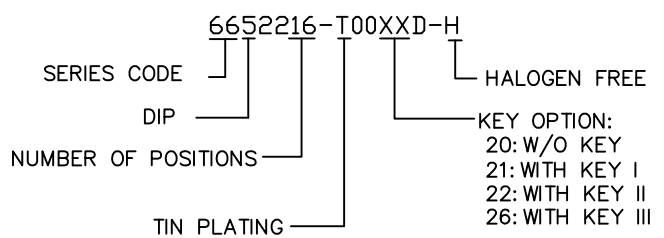
**MATERIALS:**

- HOUSING : HTN (UL94 V-0)(E41938), BLACK.
- TERMINAL:  
PWR&GND PIN : C1100.  
SENSE PIN : C5191R-EH.  
BOARD LOCK : C2680.  
PLATING: 80u"MIN TIN PLATED OVERALL,  
30u"~100u" NICKEL UNDER PLATED.

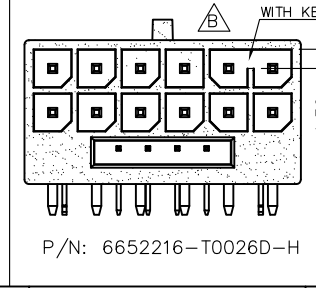
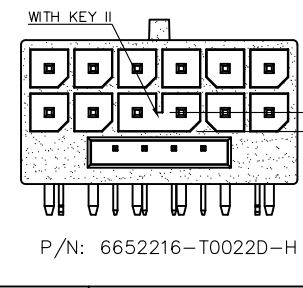
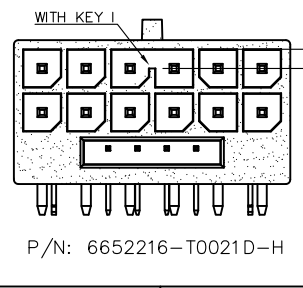
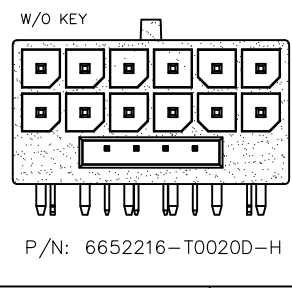
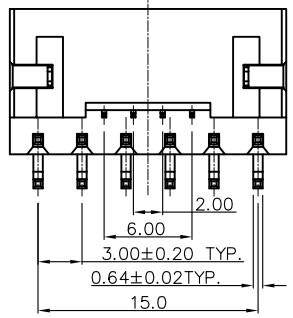
**SPECIFICATION**

- CURRENT RATING : 9.5A PER PIN(1~12PIN).  
1.0A PER PIN(S1~S4).
- OPERATING VOLTAGE RATING : 12V DC.
- DIELECTRIC WITHSTANDING VOLTAGE :  
1500V AC R.M.S. FOR ONE MINUTE.(1~12PIN).  
500V AC R.M.S. FOR ONE MINUTE.(S1~S4).
- CONTACT RESISTANCE : 6mΩ MAX (INITIAL) (1~12PIN).  
10mΩ MAX (INITIAL) (S1~S4).
- INSULATION RESISTANCE :  
1000MΩ MIN. AT 500V DC.
- INSERTION FORCE: 0.71Kgf MAX/PER PIN
- WITHDRAWAL FORCE: 0.14Kgf MIN/PER PIN
- DURABILITY: 50 CYCLES.
- OPERATING TEMPERATURE : -40°C TO +105°C.
- MAX. PROCESSING TEMP.:230°C FOR 60 SECONDS.  
260°C FOR 10 SECONDS.

**PART NUMBER INFORMATION :**



PIN SIGNAL	PIN NO.
PWR PIN	1~6
GND PIN	7~12
S1	CARD_PWR_STABLE
S2	CARD_CBL_PRES#
S3	SENSE0
△ S4	SENSE1



TOLERANCE
.0=±0.25
.00=±0.15
.000=±0.05
ANG.=±3°

DRAWER
Chen
CHECK
Chen
APP'D
Stony
PRODUCT SPEC.
—
SCALE
NONE
SIZE
A4
SHEET
1 OF 2
REV.
E

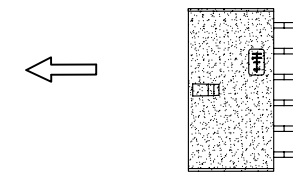
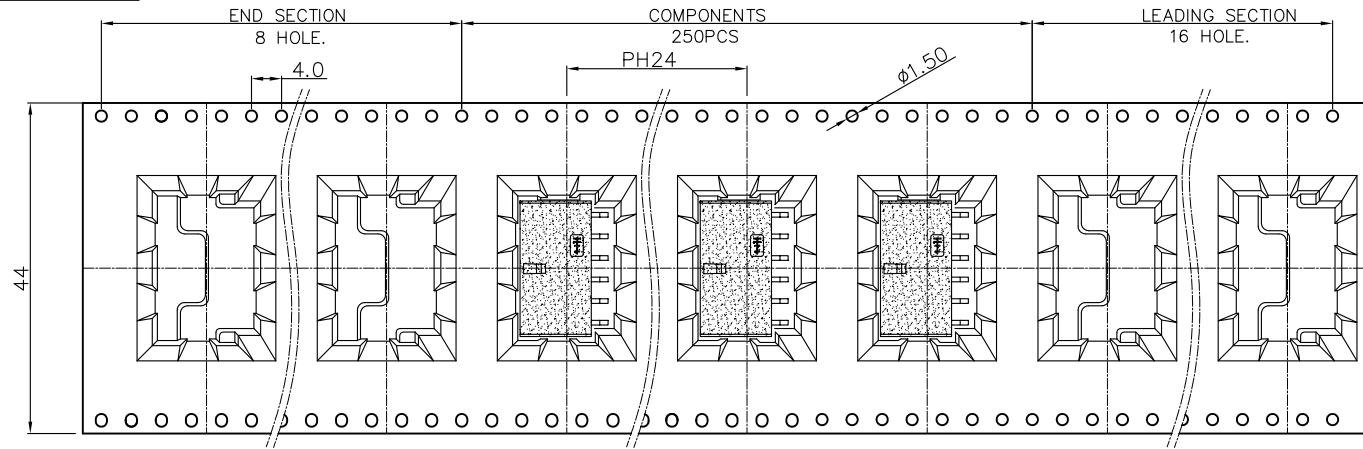
**Astron**  
ASTRON TECHNOLOGY CORP.

NAME  
PCI-E CEM5.0 12V2x6 CONNECTOR  
3.0mm PITCH, R/A DIP TYPE

DRAW NO.  
R6652216-T0020(21,22,26)D-H

RoHS & HF Compliant

REV.	DESCRIPTION	DATE
B	ADD KEY OPTION	Dec.08, 2022
C	MODIFY	Jan.05, 2023
D	N23'02004	Feb.24, 2023
E	N23'05003	Mar.29, 2023



**TAPE & PACKAGE :**

**MATERIAL :**

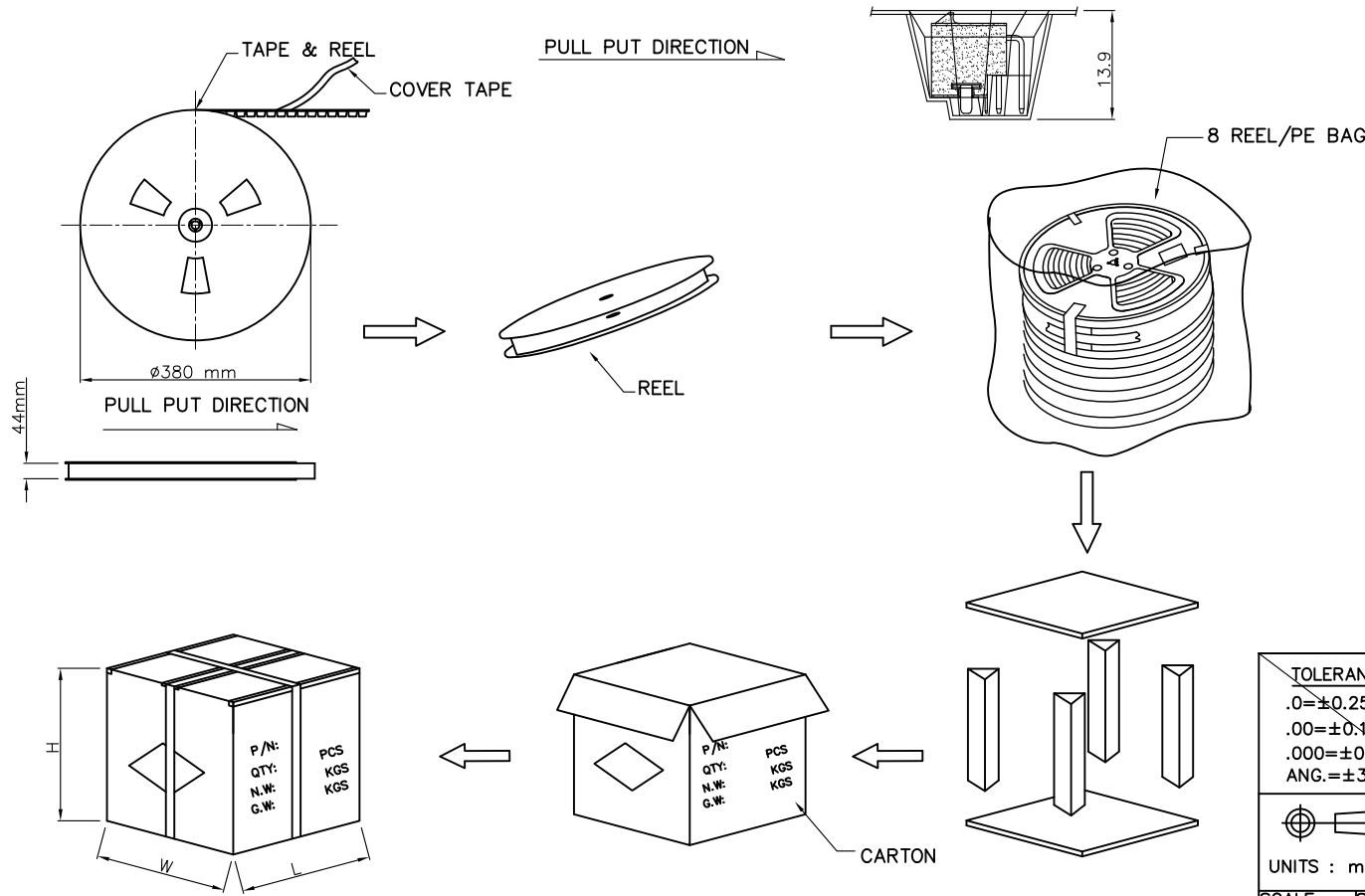
1. CARRIER TAPE : PS
2. COVER TAPE: PE
3. REEL : PS

**QUANTITY:**

1. 250 PCS/REEL.
2. 8 REEL/CARTON: 2,000 PCS.

**DIMENSION :**

- REEL SIZE :  
 DIA=380.0mm, W=44.0mm  
 CARTON :  
 L=400mm, W=400mm, H=420mm



TOLERANCE .0=±0.25 .00=±0.15 .000=±0.05 ANG.=±3°	DRAWER <i>Chen</i>	<b>Astron</b> ASTRON TECHNOLOGY CORP.
	CHECK <i>Chen</i>	
UNITS : mm SCALE NONE SIZE A4	APP'D <i>Stony</i>	NAME PCI-E CEM5.0 12V2x6 CONNECTOR 3.0mm PITCH, R/A DIP TYPE
	SHEET 2 OF 2 REV. E	PACKAGE SPEC. _____
		DRAW NO. R6652216-T0020(21,22,26)D-H