

**RoHS & HF COMPLIANT**

REV.	DESCRIPTION	DATE
1	PRELIMINARY	Aug. 11, 2023
2	APPEARANCE CORRECT	Aug. 17, 2023
3	APPEARANCE CORRECT	Aug. 21, 2023

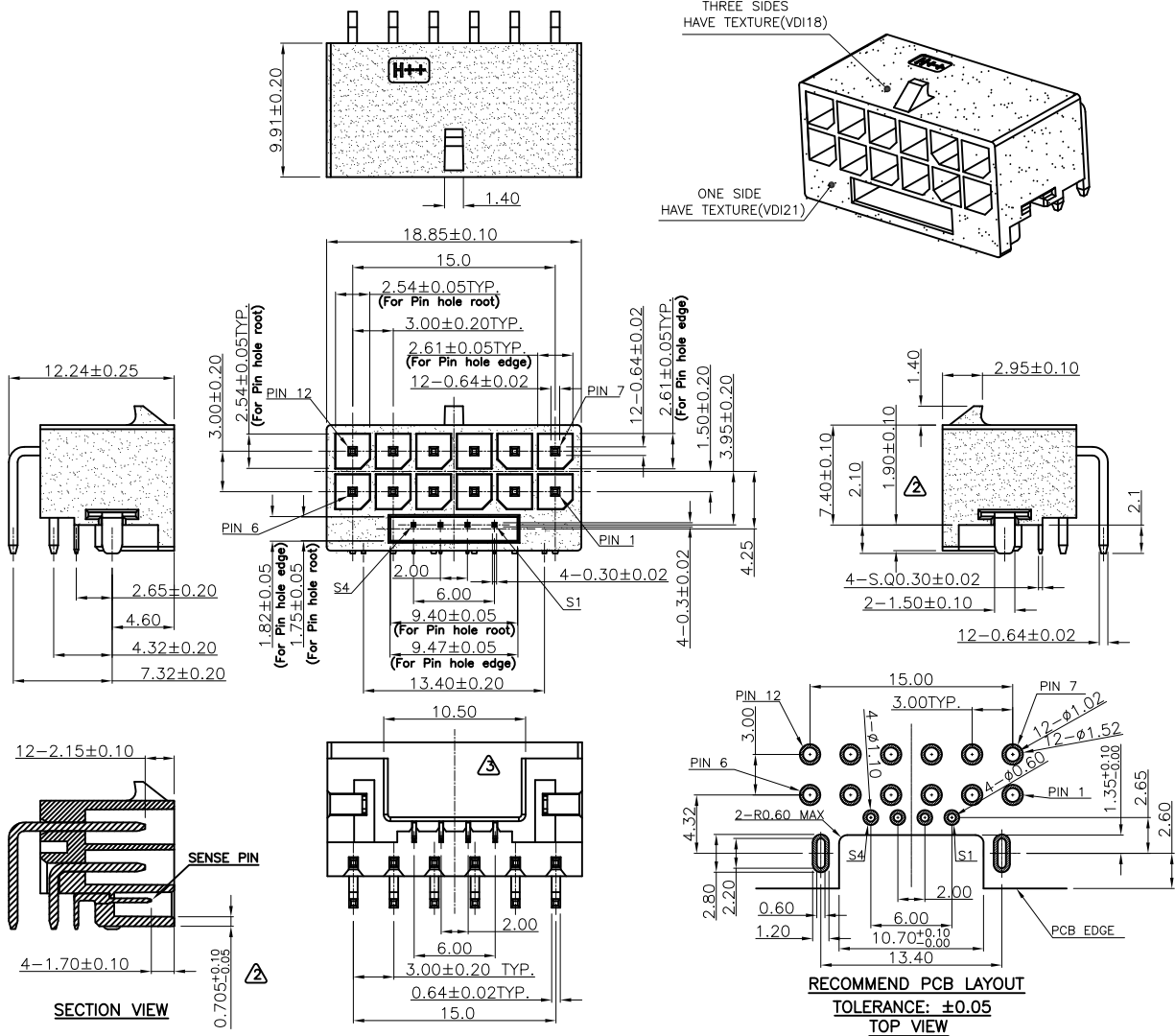
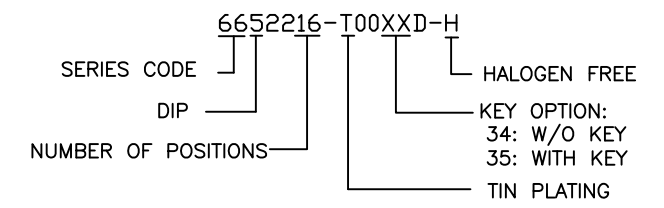
**MATERIALS:**

- HOUSING: HTN, UL94 V-0(E41938), BLACK.
- TERMINAL:  
PWR & GND PIN: C1100.  
SENSE PIN: C5191R-EH.  
BOARD LOCK: C2680.  
PLATING: 80u" MIN TIN TIN PLATED OVERALL,  
30u"~100u" NICKEL UNDER PLATED.

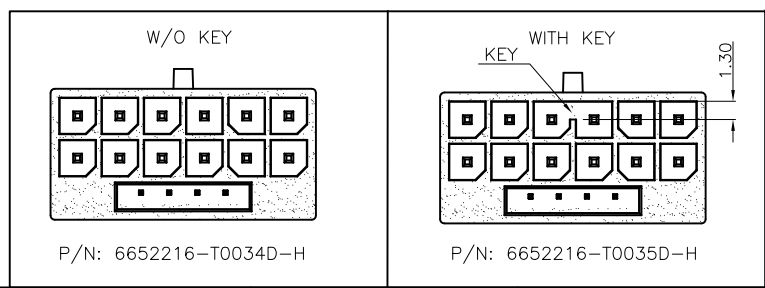
**SPECIFICATION**

- CURRENT RATING : 9.5A PER PIN(1~12PIN).  
1.0A PER PIN(S1~S4).
- OPERATING VOLTAGE RATING : 12V DC.
- DIELECTRIC WITHSTANDING VOLTAGE :  
1500V AC R.M.S. FOR ONE MINUTE.(1~12PIN)  
500V AC R.M.S. FOR ONE MINUTE.(S1~S4)
- CONTACT RESISTANCE : 6mΩ MAX.(INITIAL)(1~12PIN)  
10mΩ MAX.(INITIAL)(S1~S4)
- INSULATION RESISTANCE : 1000 MΩ MIN. AT 500V DC.
- INSERTION FORCE: 0.71Kgf MAX/PER PIN
- WITHDRAWAL FORCE: 0.14Kgf MIN/PER PIN
- DURABILITY: 50 CYCLES.
- OPERATING TEMPERATURE : -40°C TO +105°C.
- MAX. PROCESSING TEMP.: 230°C FOR 60 SECONDS.  
260°C FOR 10 SECONDS.

**PART NUMBER INFORMATION :**



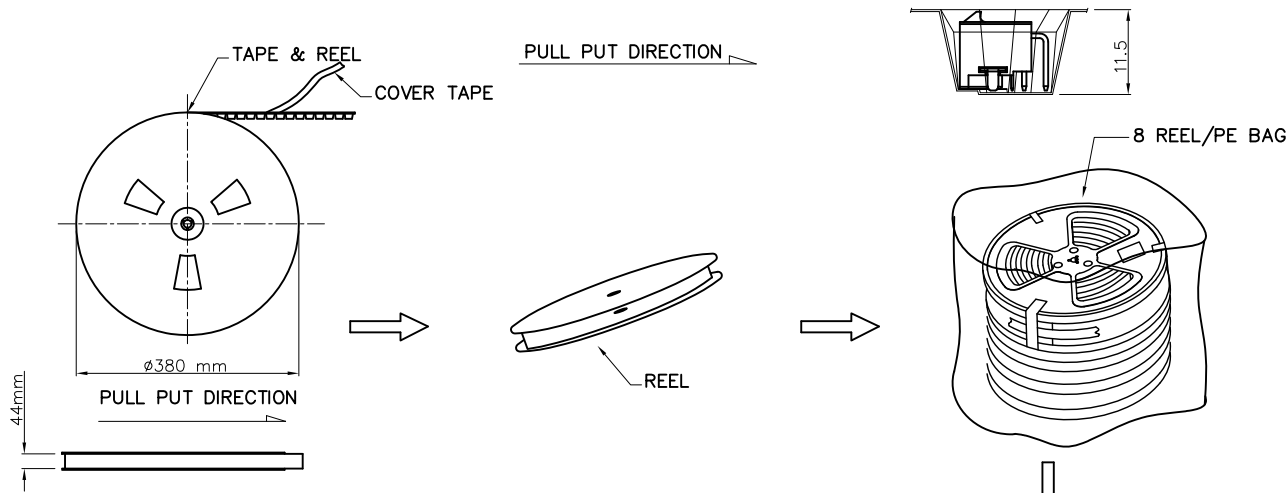
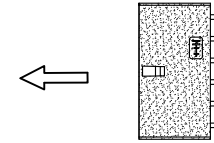
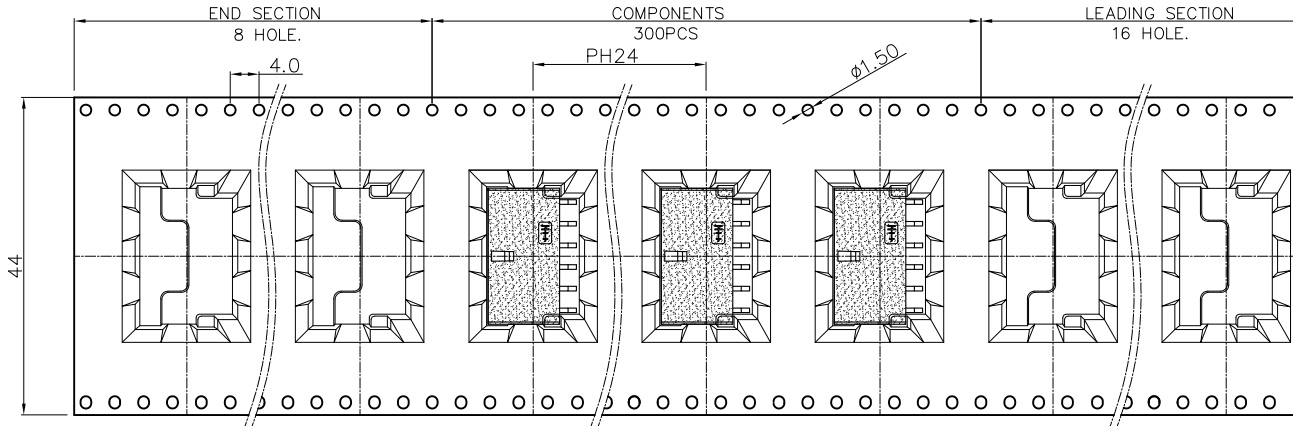
PIN SIGNAL	PIN NO.
PWR PIN	1~6
GND PIN	7~12
S1	CARD_PWR_STABLE
S2	CARD_CBL_PRES#
S3	SENSE0
S4	SENSE1



GENERAL TOLERANCE		DRAWER		<b>ASTRON</b> connectivity	
DIM.	.0 = ±0.25 .00 = ±0.15 .000 = ±0.05	Chen	Stony		
ANG.	0° = ±5° .0° = ±3° .00° = ±1°	APP'D	Stony	PCI-E CEM5.0 12V2x6 CONNECTOR 3.0mm PITCH, R/A DIP TYPE	
3rd ANGLE PROJECTION		CONFIDENTIAL		P/N. 6652216-T0034(35)D-H	
UNITS : mm	SCALE	SHEET	REV.	14026	C NO.
NONE	A4	1 OF 2	3		

**RoHS & HF COMPLIANT**

REV.	DESCRIPTION	DATE
1	PRELIMINARY	Aug. 11, 2023
2	APPEARANCE CORRECT	Aug. 17, 2023
3	APPEARANCE CORRECT	Aug. 21, 2023



**TAPE & PACKAGE :**

**MATERIAL :**

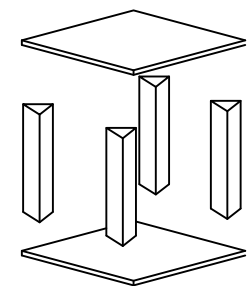
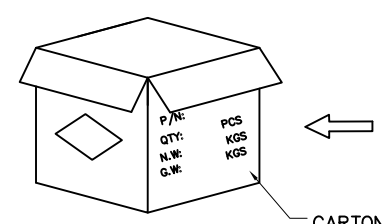
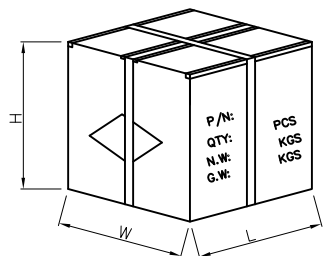
1. CARRIER TAPE : PS
2. COVER TAPE: PE
3. REEL : PS

**QUANTITY:**

1. 300 PCS/REEL.
2. 8 REEL/CARTON: 2400PCS.

**DIMENSION :**

- REEL SIZE :  
 DIA=380.0mm, W=44.0mm  
 CARTON :  
 L=400mm, W=400mm, H=420mm



GENERAL TOLERANCE		DRAWER <i>Chen</i>		<b>ASTRON</b> connectivity	
DIM. .0 = $\pm 0.25$ .00 = $\pm 0.15$ .000 = $\pm 0.05$		CHECK <i>Stony</i>			
ANG. 0° = $\pm 5'$ .0° = $\pm 3'$ .00° = $\pm 1'$		APP'D <i>Stony</i>		NAME	
3rd ANGLE PROJECTION		PRODUCT SPEC.		PCI-E CEM5.0 12V2x6 CONNECTOR 3.0mm PITCH, R/A DIP TYPE	
UNITS : mm		<b>CONFIDENTIAL</b>		P/N. 6652216-T0034(35)D-H	
SCALE NONE	SIZE A4	SHEET 2 OF 2	REV. 3	14026	C NO.