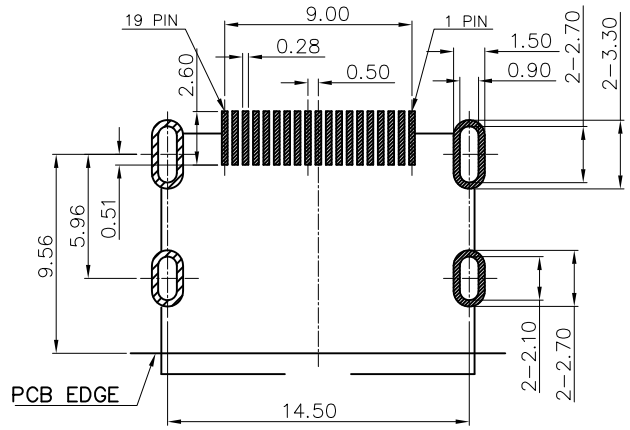
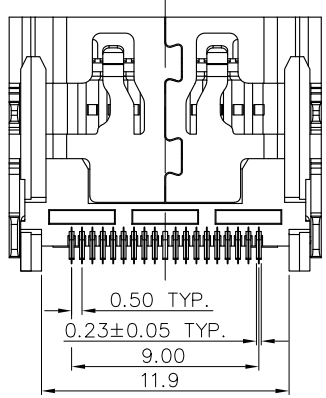
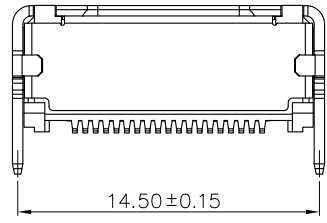
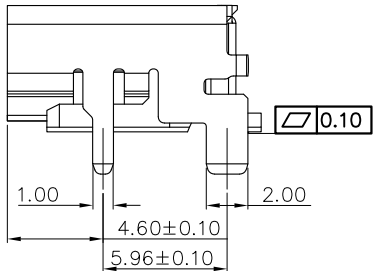
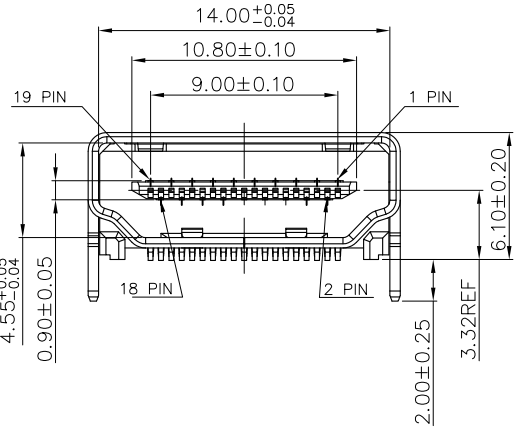
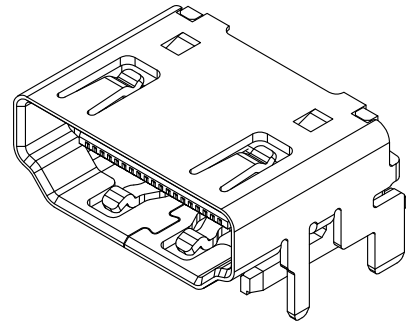
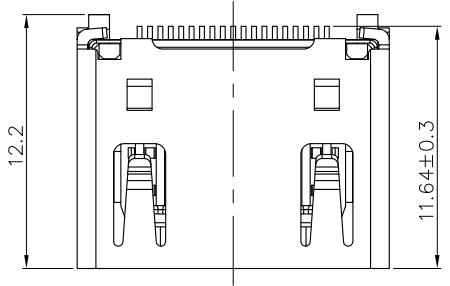


| REV. | DESCRIPTION | DATE |
|------|-------------|--------------|
| A | N19'05007 | May.15, 2019 |
| B | N23'03004 | Mar.17, 2023 |



RECOMMEND PCB LAYOUT
TOLERANCE: ±0.05
TOP VIEW

MATERIALS

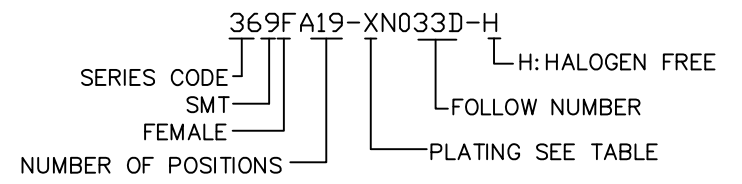
- HOUSING : HI.-TEMP.PLASTIC(UL 94V-0), BLACK.
- TERMINAL : COPPER ALLOY,
PLATING : GOLD PLATED ON CONTACT AREA,
TIN PLATED ON SOLDER TAILS.
NICKEL PLATED OVERALL.
- SHELL : COPPER ALLOY,
PLATING : NICKEL PLATED OVERALL.
- EMI SHIELD : STEEL.

SPECIFICATION

- CURRENT RATING : 0.5 A. MAX.
- DIELECTRIC WITHSTANDING VOLTAGE :
500V AC R.M.S. FOR 1 MINUTE.
- INSULATION RESISTANCE : 100MΩ MIN.AT 500V DC.
- CONTACT RESISTANCE : 30mΩ MAX.
- OPERATING TEMPERATURE : -40°C TO +85°C.
- INSERTION FORCE : 4.5Kgf MAX.
- WITHDRAWING FORCE : 1Kgf ~ 4Kgf.



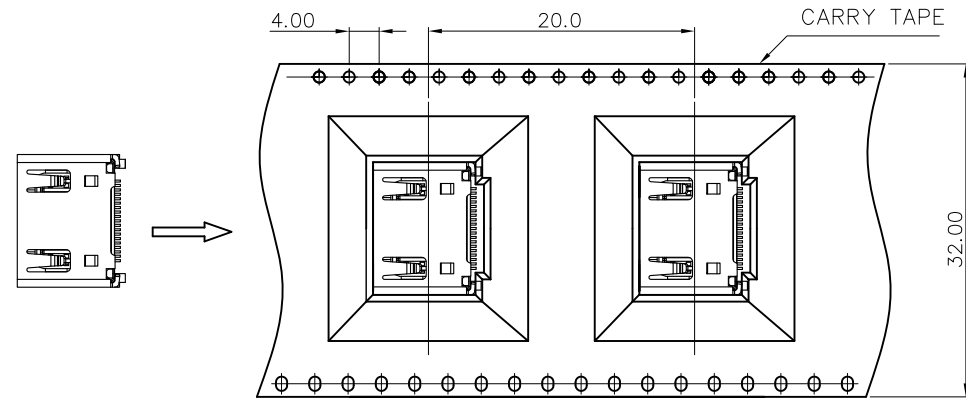
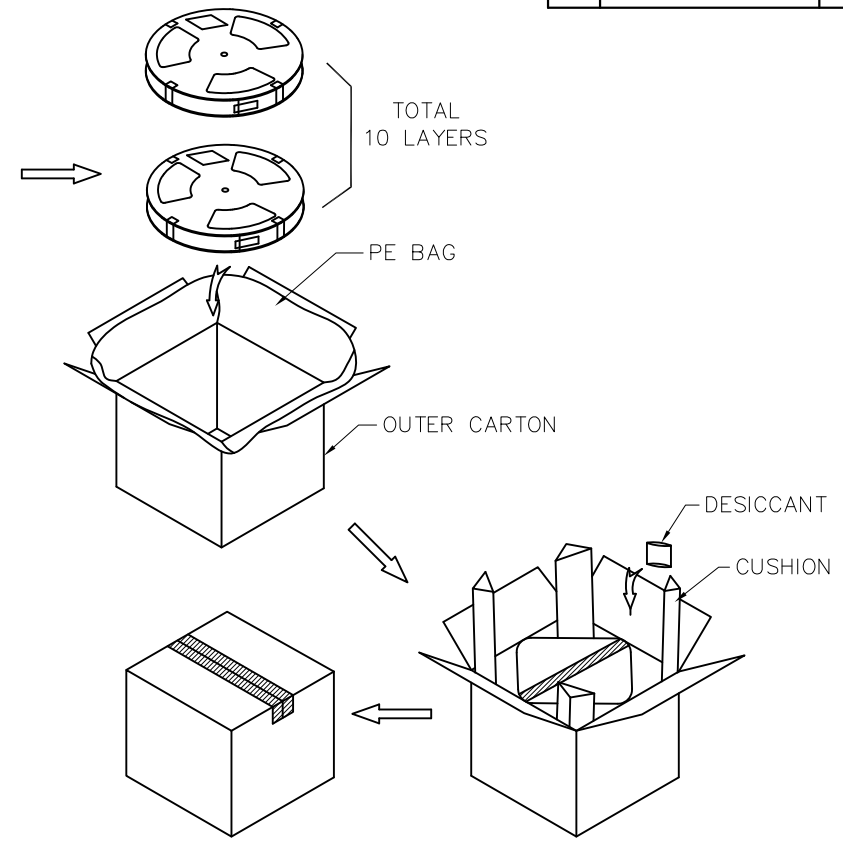
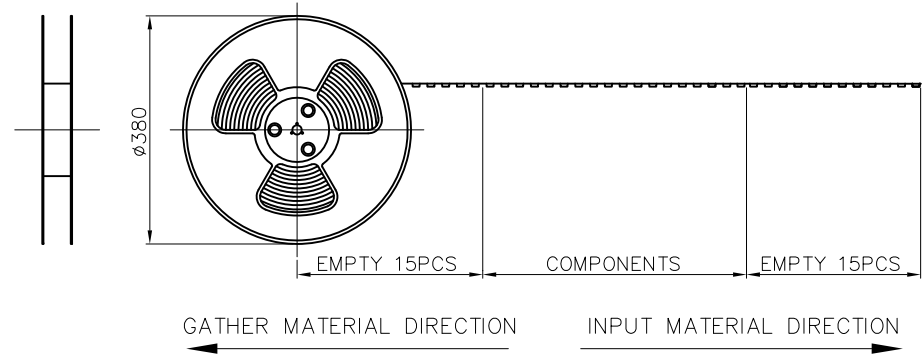
PART NUMBER INFORMATION :



| DESCRIPTION OF PLATING ON TERMINALS | | | |
|-------------------------------------|------------|-----|-----------|
| NO. | EXPLAIN | NO. | EXPLAIN |
| 0 | GOLD FLASH | 3 | GOLD 15u" |
| 6 | GOLD 30u" | | |

| | | | |
|--|--|---|--------|
| TOLERANCE .0=±0.25 .00=±0.15 .000=±0.05 ANG.=±3° | DRAWER <i>Ben</i> CHECK <i>Stony</i> APP'D <i>Stony</i> | ASTRON TECHNOLOGY CORP. NAME HDMI A 2.1 TYPE FEMALE DRAW NO. R369FA19-XN033D-H | |
| UNITS : mm | PRODUCT SPEC. | | |
| SCALE NONE | SIZE A7 | SHEET 1 OF 2 | REV. B |

| REV. | DESCRIPTION | DATE |
|------|-------------|--------------|
| A | N19'05007 | May.15, 2019 |
| B | N23'03004 | Mar.17, 2023 |



PACKAGE :

1. CORTON SIZE: 400x400x400mm (LxWxH)
2. 500 PCS/REEL
3. 10 REEL/CARTON = 5000PCS

| | | |
|---|-------------------------------|--------------------------------------|
| TOLERANCE .0=±0.25 .00=±0.15 .000=±0.05 ANG.=±3° | DRAWER <i>Ben</i> | ASTRON TECHNOLOGY CORP. |
| | CHECK <i>Stony</i> | |
| UNITS : mm | APP'D <i>Stony</i> | HDMI A 2.1 TYPE FEMALE |
| | PRODUCT SPEC. _____ | DRAW NO. R369FA19-XN033D-H |
| SCALE NONE | SIZE A7 | SHEET 2 OF 2 |
| | REV. B | |