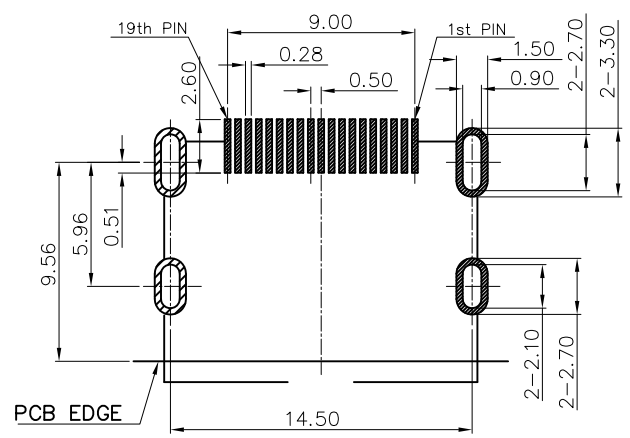
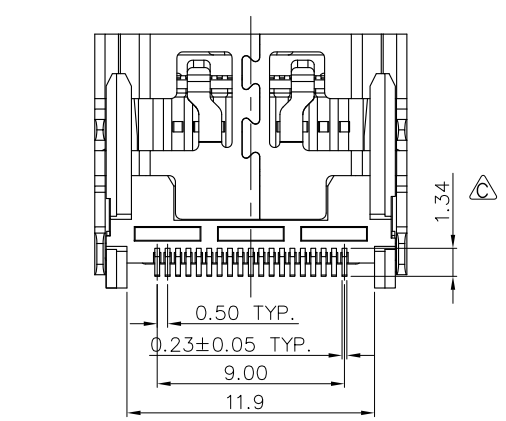
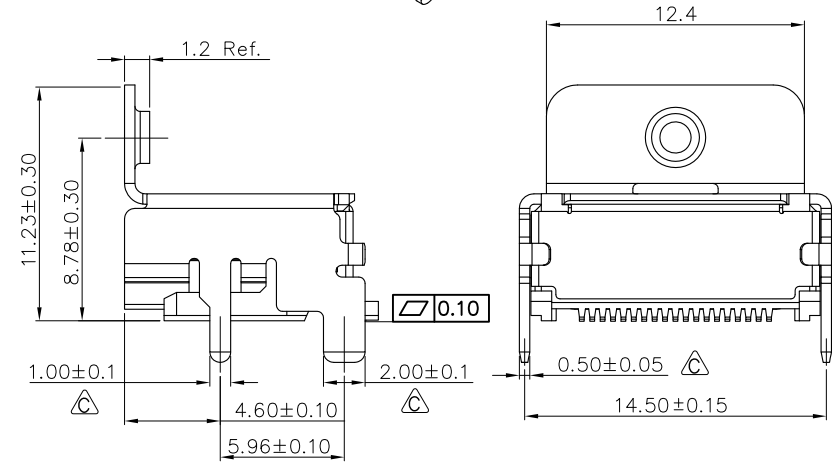
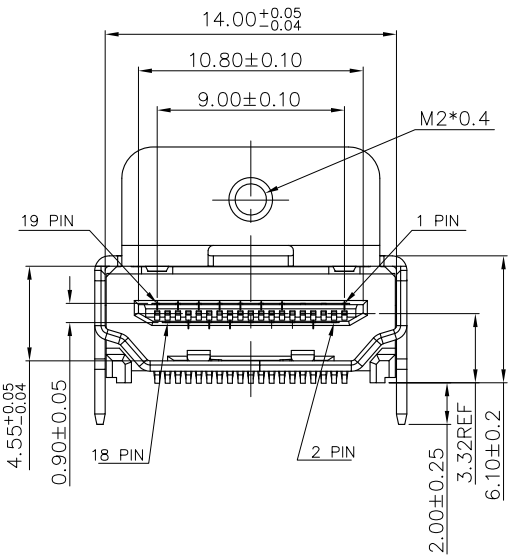
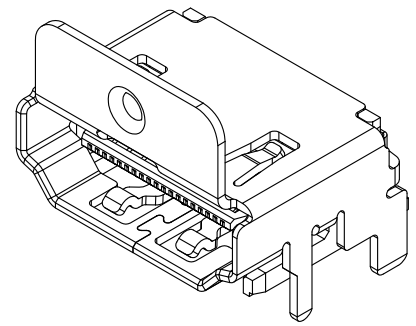
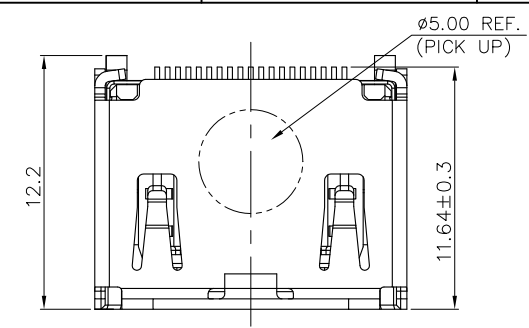


REV.	DESCRIPTION	DATE
A	RELEASE	Jul.11, 2019
B	N19'11003	Nov.04, 2019
C	N20'09007	Sep.23, 2020



RECOMMEND PCB LAYOUT
TOLERANCE: ±0.05
TOP VIEW

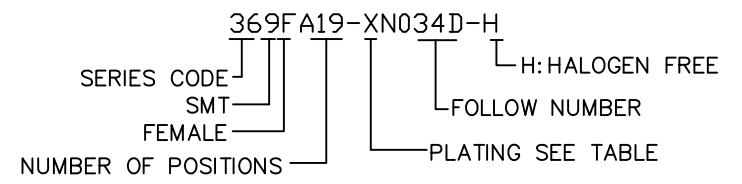
MATERIALS

- △ 1. HOUSING : LCP (UL 94V-0), BLACK.
- 2. TERMINAL : BRASS,
PLATING : GOLD PLATED ON CONTACT AREA,
TIN PLATED ON SOLDER TAILS.
- △ 3. SHELL : BRASS,
PLATING : NICKEL PLATED OVERALL.
- 4. EMI SHIELD : STEEL.

SPECIFICATION

- 1. CURRENT RATING : 0.5 A. MAX.
- 2. DIELECTRIC WITHSTANDING VOLTAGE :
500V AC R.M.S. FOR 1 MINUTE.
- 3. INSULATION RESISTANCE : 100MΩ MIN.AT 500V DC.
- 4. CONTACT RESISTANCE : 30mΩ MAX.
- 5. OPERATING TEMPERATURE : -25°C TO +85°C.
- 6. INSERTION FORCE : 4.5Kgf MAX.
- 7. WITHDRAWING FORCE : 1Kgf ~ 4Kgf.

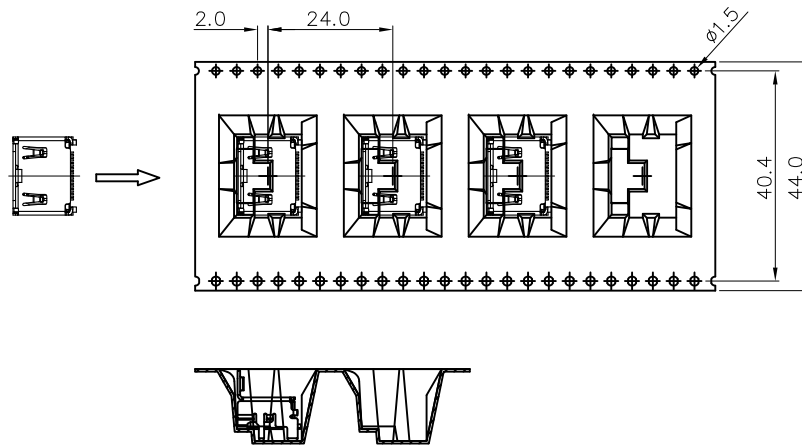
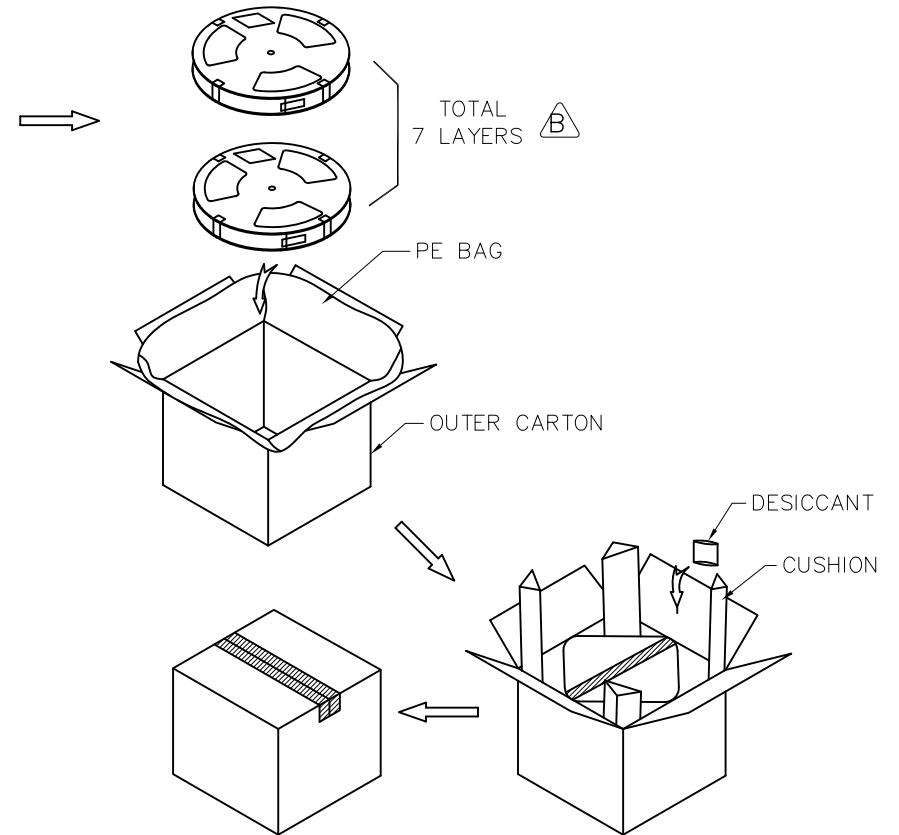
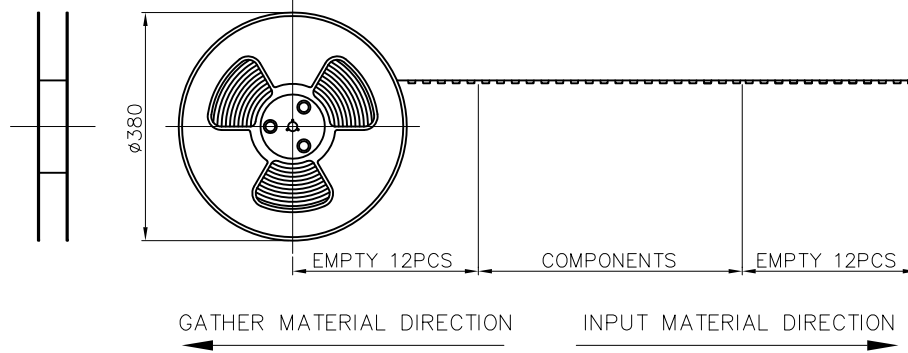
PART NUMBER INFORMATION :



DESCRIPTION OF PLATING ON TERMINALS			
NO.	EXPLAIN	NO.	EXPLAIN
0	GOLD FLASH	3	GOLD 15u"
6	GOLD 30u"		

TOLERANCE .0=±0.25 .00=±0.15 .000=±0.05 ANG.=±3°	DRAWER <i>Shen</i> CHECK <i>Stony</i> APP'D <i>Stony</i>	 ASTRON TECHNOLOGY CORP. NAME HDMI A 2.1 TYPE FEMALE WITH FLANGE (H=8.78)
UNITS : mm	PRODUCT SPEC.	
SCALE NONE	SIZE A7	DRAW NO. 369FA19-XN034D-H
SHEET 1 OF 2	REV. C	

REV.	DESCRIPTION	DATE
A	RELEASE	Jul.11, 2019
B	N19'11003	Nov.04, 2019
C	N20'09007	Sep.23, 2020



PACKAGE :

1. CORTON SIZE: 400x400x380mm (LxWxH)
2. 250 PCS/REEL
3. 7 REEL/CARTON = 1750PCS

TOLERANCE .0=±0.25 .00=±0.15 .000=±0.05 ANG.=±3°		DRAWER <i>Ben</i> CHECK <i>Stony</i> APP'D <i>Stony</i>	 ASTRON TECHNOLOGY CORP. NAME HDMI A 2.1 TYPE FEMALE WITH FLANGE (H=8.78)
UNITS : mm SCALE NONE SIZE A7		PRODUCT SPEC. _____	
SHEET 2 OF 2	REV. C		