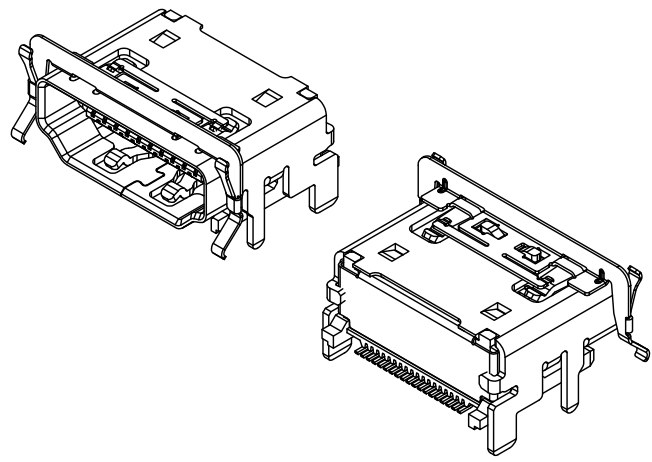


RoHS & HF Compliant

REV.	DESCRIPTION	DATE
B	MODIFY DRAW	Aug.11, 2022
C	MODIFY DRAW	Aug.16, 2022
D	N22'11003	Nov.09, 2022
E	MODIFY DRAW	Nov.22, 2022



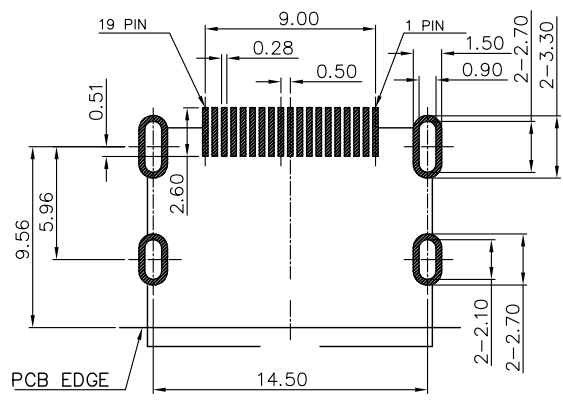
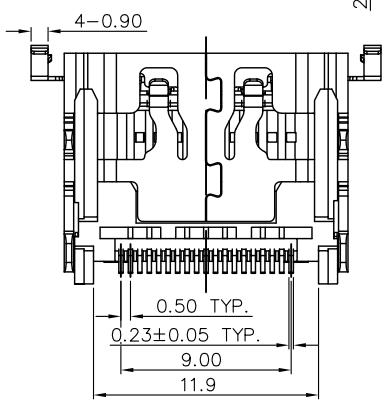
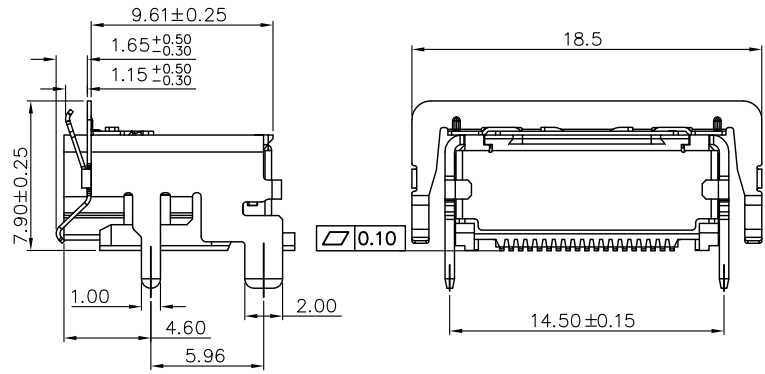
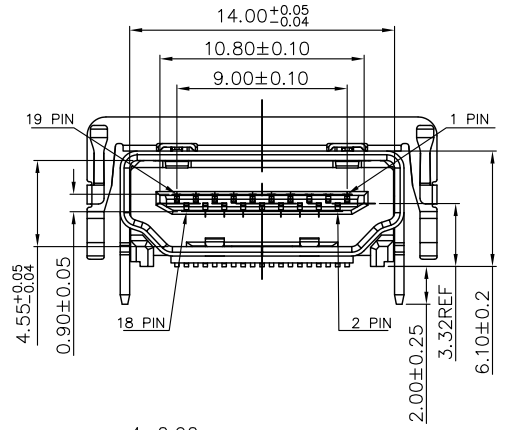
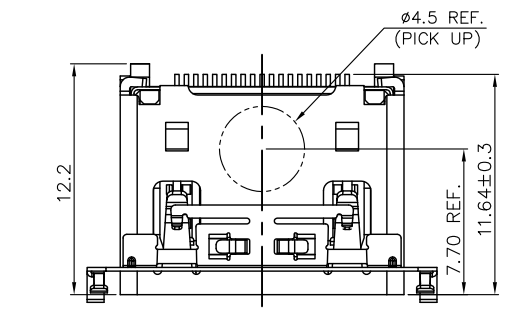
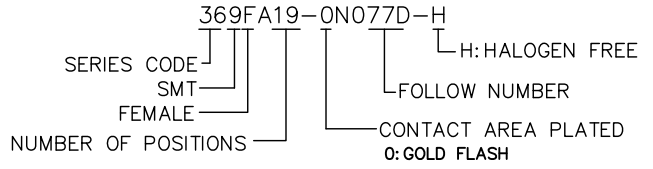
MATERIALS

- HOUSING : LCP (E106764), UL 94V-0, BLACK.
- TERMINAL : COPPER ALLOY, T=0.20mm, GOLD FLASH ON CONTACT AREA, TIN PLATED 50u"Min. ON SOLDER TAILS, UNDER NICKEL PLATED 30u"Min.
- SHELL : COPPER ALLOY, T=0.5mm, 50u" NICKEL PLATED.
- EMI SPRING : SUS301-1/2H, T=0.20mm.
- EMI SHIELD : STAINLESS STEEL, T=0.15mm.

SPECIFICATION

- CURRENT RATING : 0.5 A. MAX.
- DIELECTRIC WITHSTANDING VOLTAGE : 500V AC R.M.S. FOR 1 MINUTE.
- INSULATION RESISTANCE : 100MΩ MIN. AT 500V DC.
- CONTACT RESISTANCE : 10mΩ MAX.
- OPERATING TEMPERATURE : -25°C TO +85°C.
- INSERTION FORCE : 4.5Kgf MAX.
- WITHDRAWING FORCE : 1Kgf ~ 4Kgf.
- DURABILITY : 10000 CYCLES.
- EMI SPRING FORCE : 600gf MIN.
- SOLDERING HEAT RESISTANCE REFLOW SOLDERING 260°C/5sec.

PART NUMBER INFORMATION :

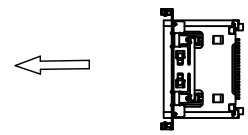
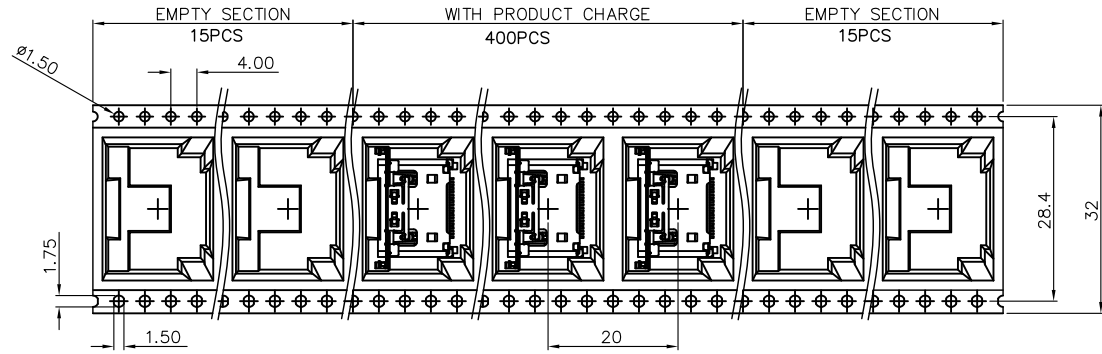


RECOMMEND PCB LAYOUT
TOLERANCE: ±0.05
TOP VIEW

TOLERANCE .0=±0.25 .00=±0.15 .000=±0.05 ANG.=±3°	DRAWER <i>Chan</i> CHECK <i>Stony</i> APP'D <i>Stony</i>	 ASTRON TECHNOLOGY CORP. NAME HDMI 2.1 TYPE A FEMALE WITH SPRING
 UNITS : mm SCALE NONE SIZE A7 SHEET 1 OF 2 REV. E	PRODUCT SPEC. DRAW NO. R369FA19-0N077D-H	

RoHS & HF Compliant

REV.	DESCRIPTION	DATE
B	MODIFY DRAW	Aug.11, 2022
C	MODIFY DRAW	Aug.16, 2022
D	N22'11003	Nov.09, 2022
E	MODIFY DRAW	Nov.22, 2022



PULL PUT DIRECTION →

TAPE & REEL PACKAGE :

SIZE

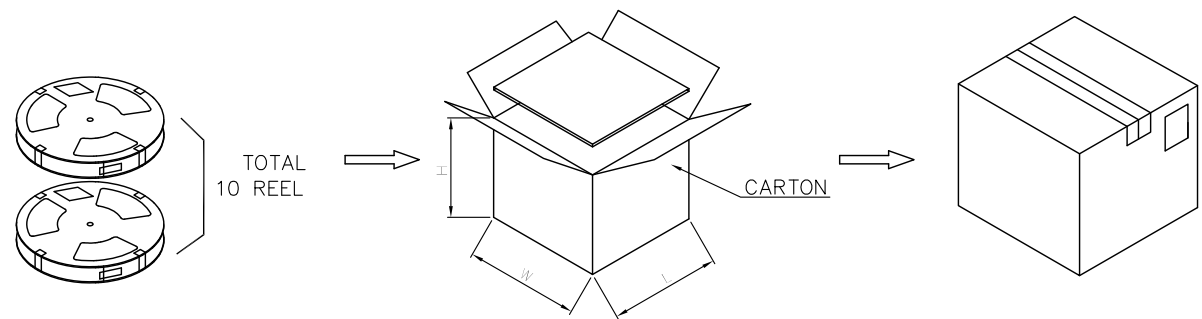
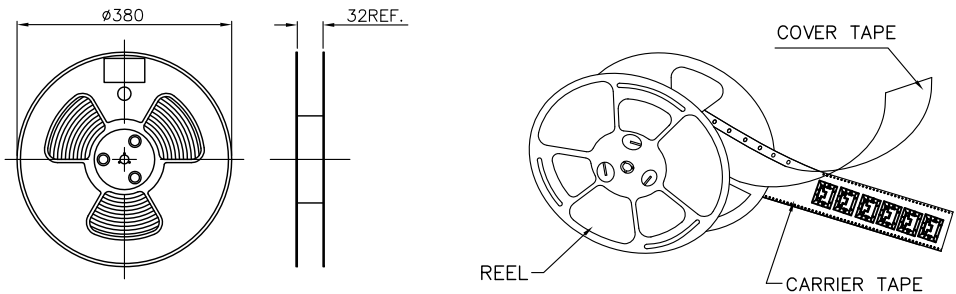
- 1. REEL : $\phi 380 \times 32$ mm
- CARTON : L=400mm, W=400mm, H=400mm

QUANTITY

- 1. 400 PCS PER REEL.
- 2. 10 REEL PER CARTON (4000 PCS PER CARTON).

MATERIALS

- 1. CARRIER TAPE: POLYSTYREN (PS)
- 2. COVER TAPE: POLYSTYREN (PS)
- 3. REEL: POLYSTYREN (PS)
- 4. APPLICABLE DOCUMENTS : EIA-481-C



TOLERANCE .0=±0.25 .00=±0.15 .000=±0.05 ANG.=±3°	DRAWER <i>Shen</i>	 ASTRON TECHNOLOGY CORP. NAME HDMI 2.1 TYPE A FEMALE WITH SPRING DRAW NO. R369FA19-0N077D-H
	CHECK <i>Stony</i>	
APP'D <i>Stony</i>	PRODUCT SPEC. _____	
UNITS : mm SCALE NONE SIZE A7 SHEET 2 OF 2 REV. E		