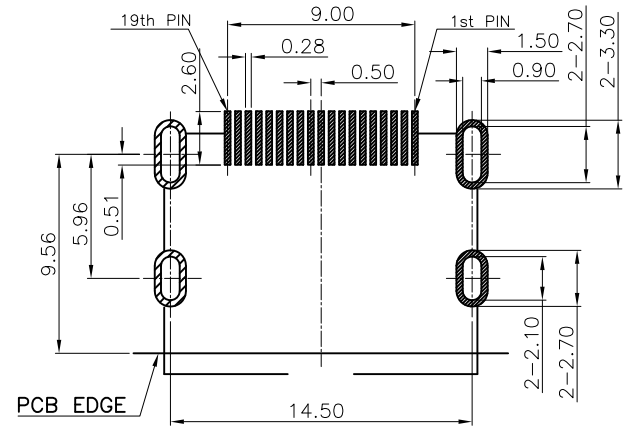
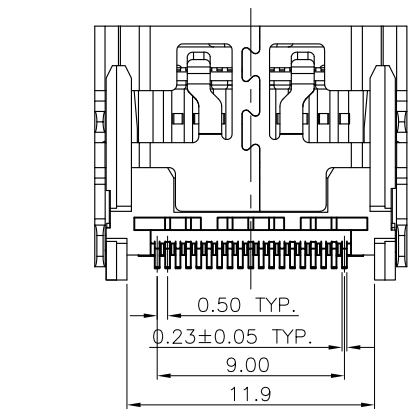
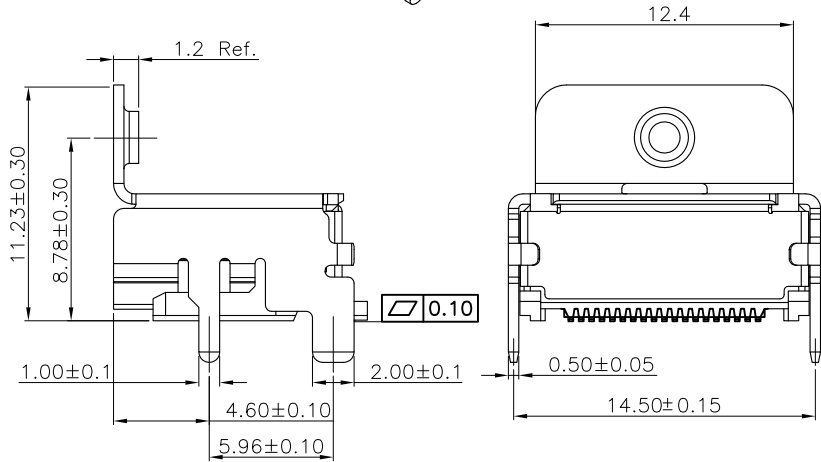
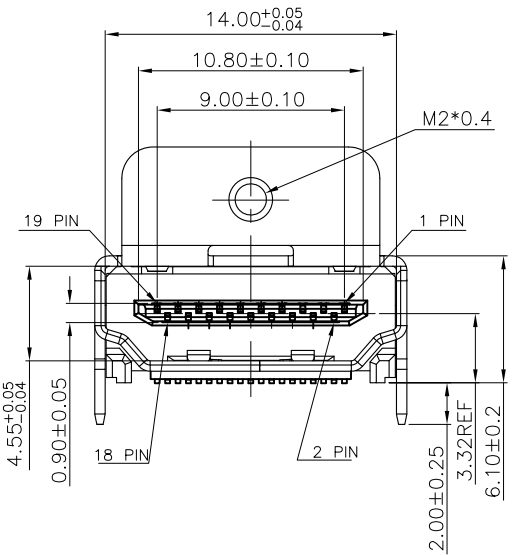
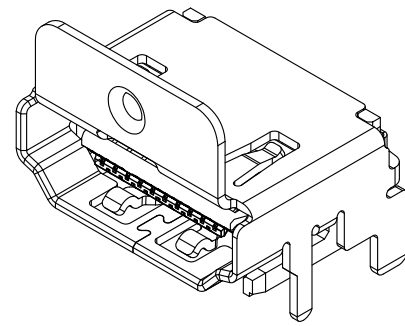
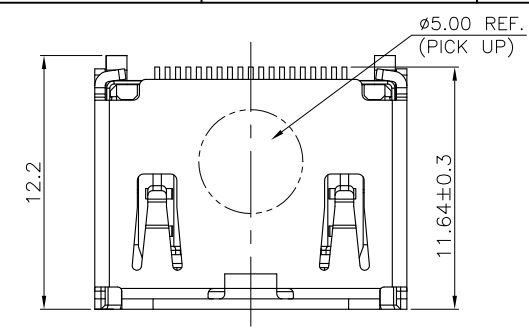


REV.	DESCRIPTION	DATE
A	RELEASED	Apr.19, 2023



RECOMMEND PCB LAYOUT
TOLERANCE: ±0.05
TOP VIEW

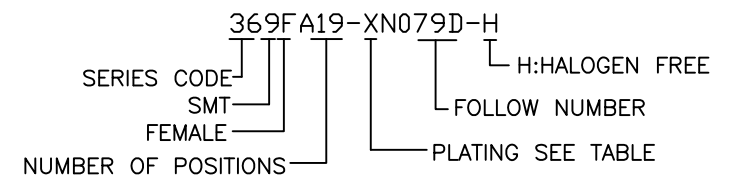
MATERIALS

- HOUSING : LCP (UL 94V-0), BLACK.
- TERMINAL : BRASS,
PLATING : GOLD PLATED ON CONTACT AREA,
TIN PLATED ON SOLDER TAILS.
- SHELL : BRASS,
PLATING : NICKEL PLATED OVERALL.
- EMI SHIELD : STEEL.

SPECIFICATION

- CURRENT RATING : 0.5 A. MAX.
- DIELECTRIC WITHSTANDING VOLTAGE :
500V AC R.M.S. FOR 1 MINUTE.
- INSULATION RESISTANCE : 100MΩ MIN.AT 500V DC.
- CONTACT RESISTANCE : 30mΩ MAX.
- OPERATING TEMPERATURE : -25°C TO +85°C.
- INSERTION FORCE : 4.5Kgf MAX.
- WITHDRAWING FORCE : 1Kgf ~ 4Kgf.

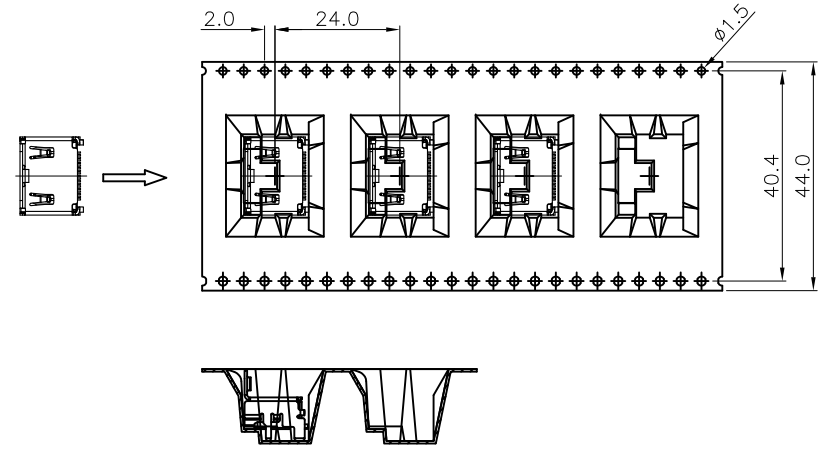
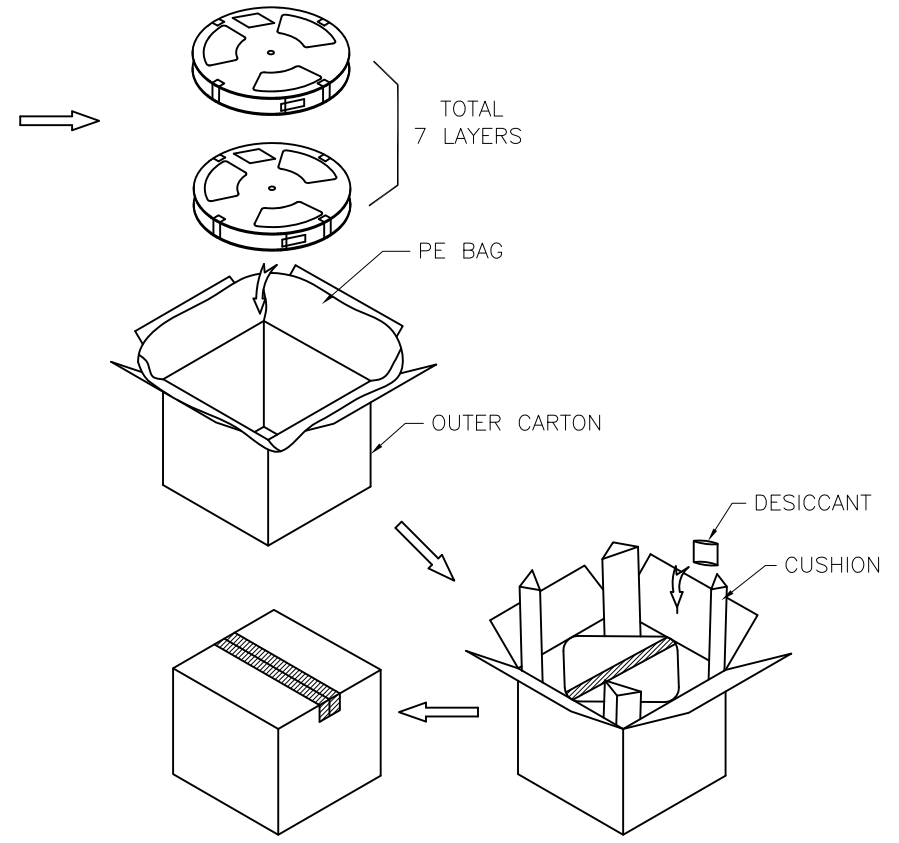
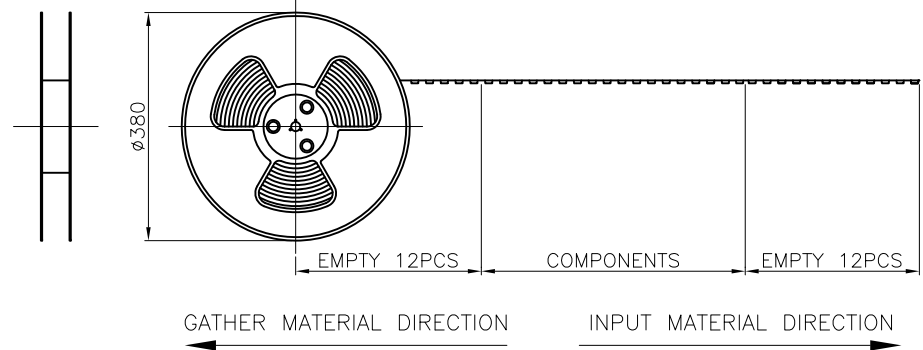
PART NUMBER INFORMATION :



DESCRIPTION OF PLATING ON TERMINALS			
NO.	EXPLAIN	NO.	EXPLAIN
0	GOLD FLASH	3	GOLD 15u"
6	GOLD 30u"		

TOLERANCE .0=±0.25 .00=±0.15 .000=±0.05 ANG.=±3°	DRAWER <i>Shen</i> CHECK <i>Stony</i>	 ASTRON TECHNOLOGY CORP. NAME HDMI A 2.1 TYPE FEMALE WITH FLANGE (H=8.78)
	APP'D <i>Stony</i>	
PRODUCT SPEC. _____	DRAW NO. 369FA19-XN079D-H	
UNITS : mm SCALE NONE SIZE A7 SHEET 1 OF 2 REV. A		

REV.	DESCRIPTION	DATE
A	RELEASED	Apr.19, 2023



PACKAGE :

1. CORTON SIZE: 400x400x380mm (LxWxH)
2. 250 PCS/REEL
3. 7 REEL/CARTON = 1750PCS

TOLERANCE .0=±0.25 .00=±0.15 .000=±0.05 ANG.=±3°		DRAWER <i>Shen</i> CHECK <i>Sheny</i> APP'D <i>Sheny</i>		 ASTRON TECHNOLOGY CORP. NAME HDMI A 2.1 TYPE FEMALE WITH FLANGE (H=8.78)	
 UNITS : mm		PRODUCT SPEC. _____			
SCALE NONE	SIZE A7	SHEET 2 OF 2	REV. A	DRAW NO. 369FA19-XN079D-H	