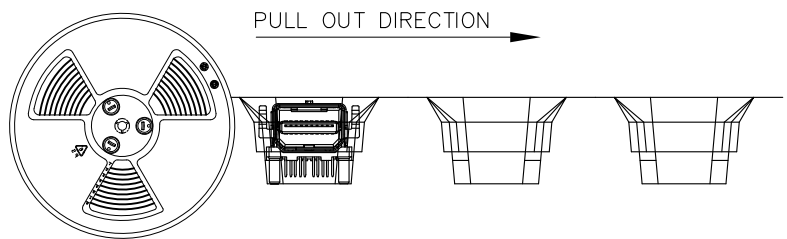
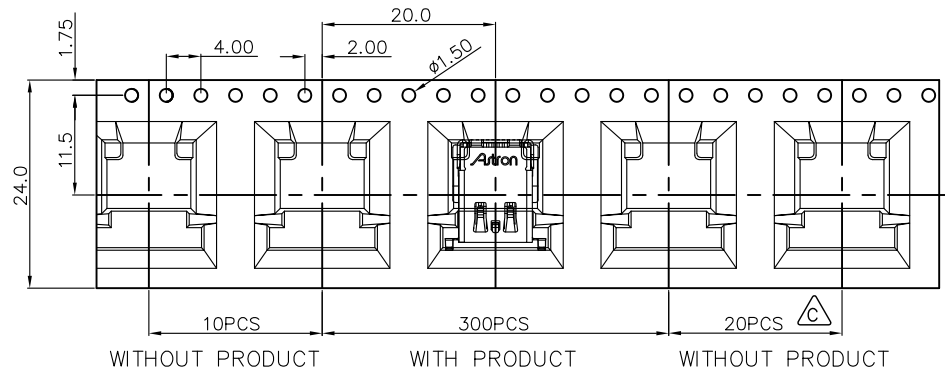


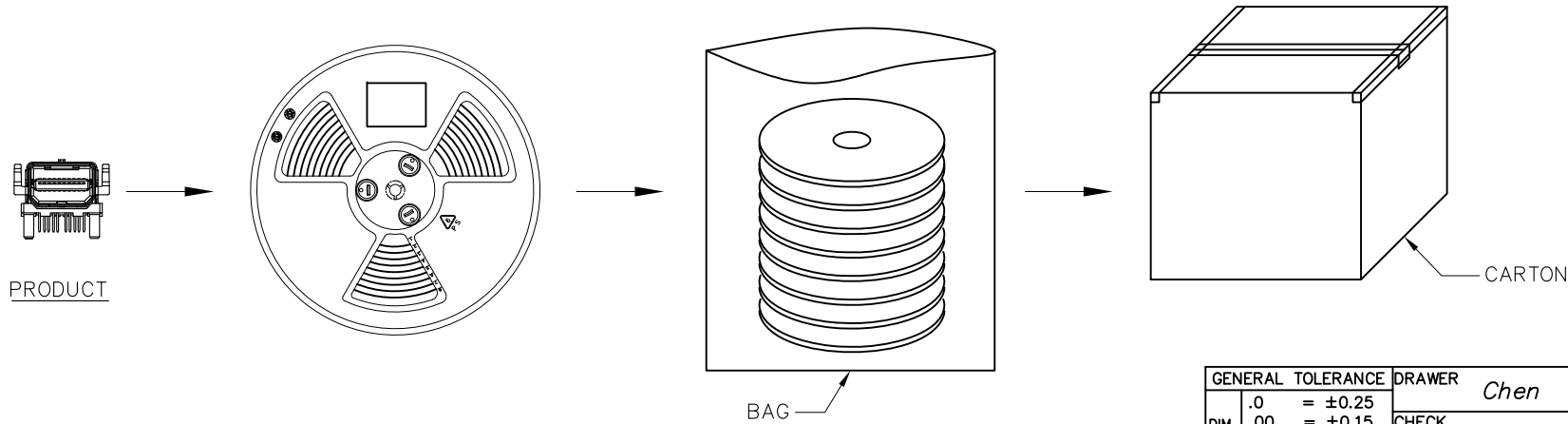


REV.	DESCRIPTION	DATE
B	REVISED DIMENSION	May. 18, 2021
C	N21'06001	Jun. 05, 2021
D	DIMENSION CORRECT	Jul. 07, 2023
E	NARRATE CORRECT	Jul. 25, 2023



**PACKAGE**

1. SIZE :  
 REEL : DIA.=330mm  
 CORTON : 350x350x340mm (LxWxH)
2. QUANTITY :  
 300 PCS/REEL  
 11 REEL/CARTON = 3300PCS



GENERAL TOLERANCE		DRAWER <i>Chen</i>		<b>ASTRON</b> connectivity	
DIM.	.0 = ±0.25 .00 = ±0.15 .000 = ±0.05	CHECK <i>Stony</i>			
ANG.	0° = ±5° .0° = ±3° .00° = ±1°	APP'D <i>Stony</i>		NAME MINI DISPLAYPORT RECEPTACLE R/A DIP+SMT TYPE WITH EMI SPRING 3.8MM CENTER HEIGHT	
3rd ANGLE PROJECTION 		PACKAGE SPEC.		P/N. 699FB20-XN021D-H	
UNITS : mm		<b>CONFIDENTIAL</b>		14026	
SCALE	SIZE	SHEET	REV.	C NO.	
NONE	A4	2 OF 3	E	8	



# 東莞肯上精密五金有限公司

## DongGuan Astron Precision Hardware Co.,LTD

### 溫昇測試報告

### Temperature Rise Test Report

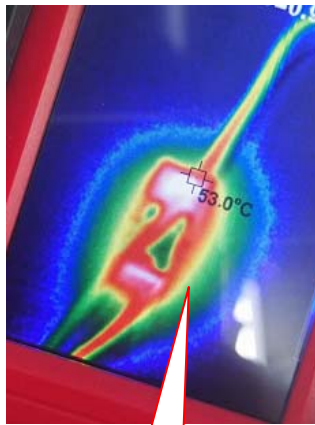
客戶 Customer Name	----	產品名稱 Product Name	MDP 1.4		
批號 LOT NO.	----	產品料號 Part NO.	699FB20-0N021D-H		
批量 LOT Q'TY	----	樣品數量 Sample Q'TY	3PCS	樣品狀況 Sample Status	正常 [Normal]
開始檢驗日期 Start Test Date	2023.07.15	送檢單位 Applicant	-----	工令批號 Order NO.	----
完成檢驗日期 Finish Test Date	2023.07.15	檢驗結論 Conclusion of Test	本檢驗報告共檢驗 2 項。 [The test report include 2 test items.] 所檢驗之項目 符合EIA-364-70 要求。 [All test items accorded with EIA-364-70.]		
檢驗依據 Test Standards	EIA-364-70				
檢驗地點 Test place	肯上實驗室 [Astron lab]				

試驗設備:溫昇測試機

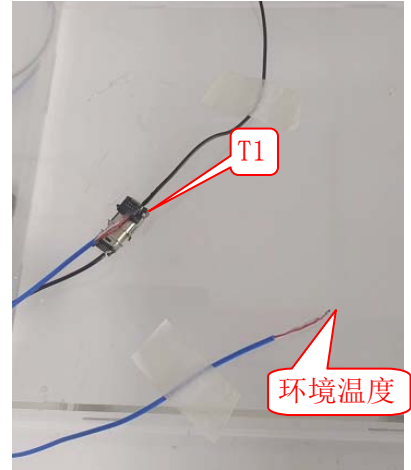
[Test Procedures:Test Equipment:Temperature Rise Chamber]

测试条件:在流通安培的額定電流條件下測試端子的負載溫升。

[measure the contact temperature rise at the rated DC current applied.]



紅外線看  
發熱區域



測點圖示說明

測試項目 Test Item	測試條件 Test Condition	檢測設備 Inspection Equipment	測試結果 Test Result				判定	
							OK	NG
1 外觀 [Appearance]	無明顯損傷現象 [No evidence]	A	符合要求[accorded with requirements]				✓	
2 樣品 [Sample]	常溫 3.0A 3.3V for 第20pin , 產品第20pin用24AWG線串聯 △T: 30°C Max. [3.0A 3.3V for #20pin in ambient temperature ,The 20pin is connected in series with 24AWG wire, △T: 30°C Max..]	B	測點 [measure point]	環境溫度(°C) [ambient temperature]	測點溫度(°C) [test temperature]	溫升[△T] Temperature rise		
			T1	30	57.7	27.7	✓	
			T1	30.2	59.5	29.3	✓	
			T1	30	58.1	28.1	✓	

備注:測試設備:A顯微鏡 B:數位溫度計 C:2.5次元影像測試儀

[remark: Test Equipment A: microscopes B:digital thermometer C:2.5 dimensional image tester]

批准:  
Approved by: 胡卡兵

審核:  
Checked by: /

檢驗員:  
Test by: 文華平