

REV.	DESCRIPTION	DATE
A	RELEASED	Aug.04, 2022
B	MODIFY DRAWING	Dec.20, 2022
C	N23'04002	Apr.12, 2023

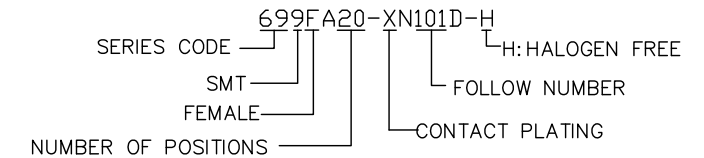
MATERIALS

1. HOUSING : LCP (UL94V-0), BLACK.
2. TERMINAL : COPPER ALLOY,
GOLD PLATED ON CONTACT AREA.
TIN PLATED ON SOLDER TAIL,
UNDER NICKEL PLATED.
3. SHELL : STAINLESS STEEL, NICKEL PLATED.

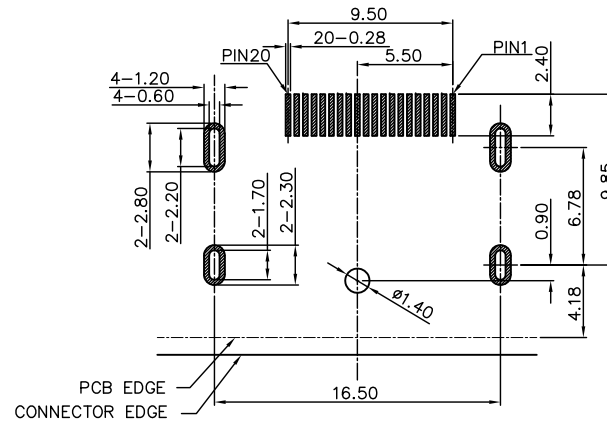
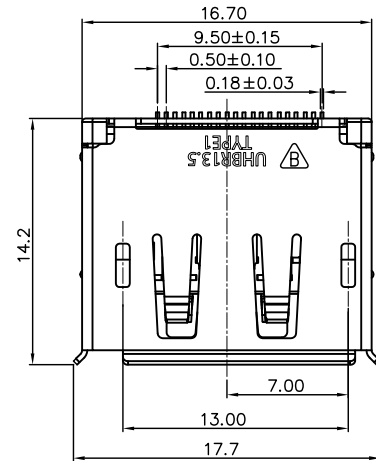
SPECIFICATION

1. CURRENT RATING : 0.5A. MAX.
2. DIELECTRIC WITHSTANDING VOLTAGE :
500V AC R.M.S. FOR ONE MINUTE.
3. INSULATION RESISTANCE : 100MΩ MIN. AT 500V DC.
4. CONTACT RESISTANCE : 30mΩ MAX.
5. OPERATING TEMPERATURE : -25°C TO +85°C.
6. DURABILITY : 10000 CYCLES.
7. MATING FORCE : 4.5kgf MAX.
8. UNMATING FORCE : 1.0kgf MIN.

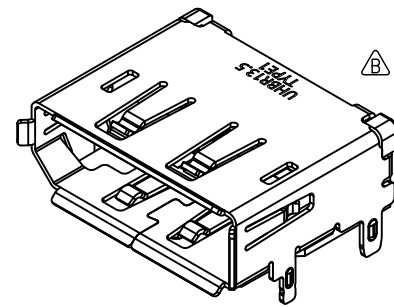
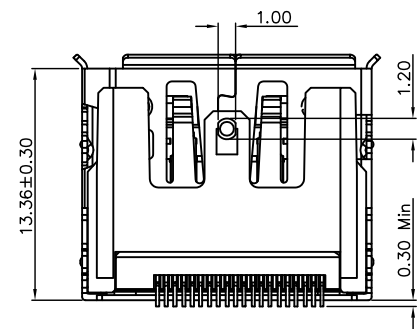
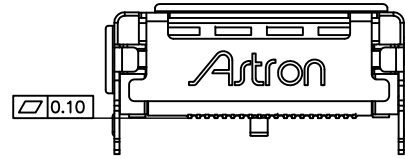
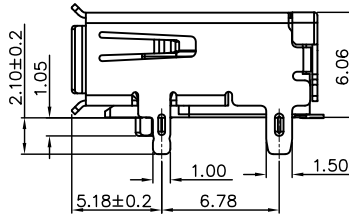
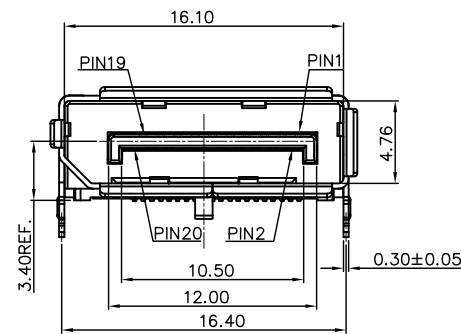
PART NUMBER INFORMATION



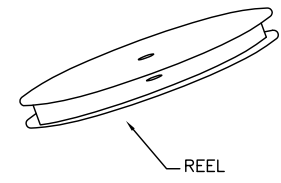
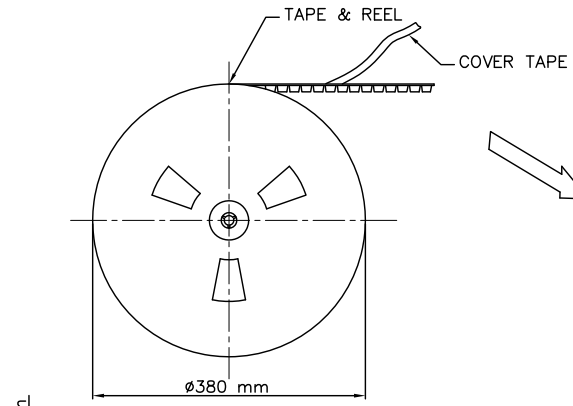
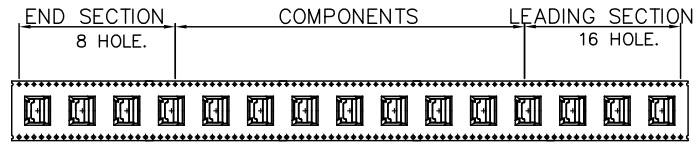
DESCRIPTION OF PLATING ON TERMINALS			
NO.	EXPLAIN	NO.	
0	GOLD FLASH	3	GOLD 15u"
6	GOLD 30u"		
TOLERANCE .0=±0.25 .00=±0.15 .000=±0.05 ANG.=±3°		DRAWER <i>Shen</i> CHECK <i>Hony</i> APP'D <i>Hony</i>	
UNITS : mm		PRODUCT SPEC.	
SCALE NONE		DRAW NO.	
SIZE A4	SHEET 1 OF 2	REV. C	R699FA20-XN101D-H



RECOMMEND PCB LAYOUT
TOLERANCE: ±0.05
TOP VIEW

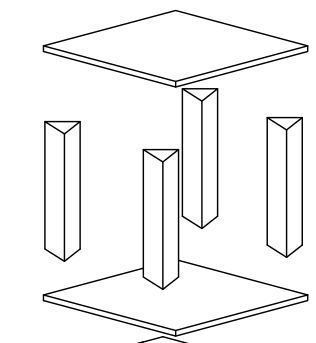
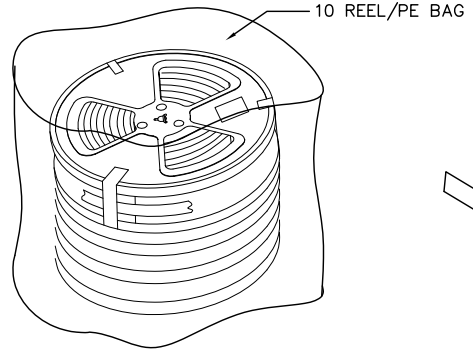
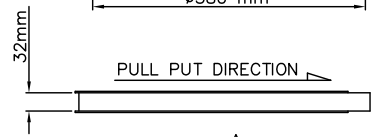


REV.	DESCRIPTION	DATE
A	RELEASED	Aug.04, 2022
B	MODIFY DRAWING	Dec.20, 2022
C	N23'04002	Apr.12, 2023

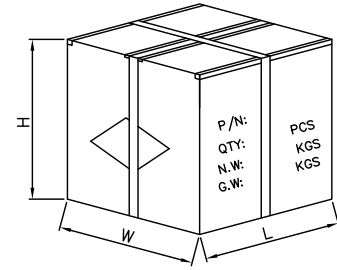
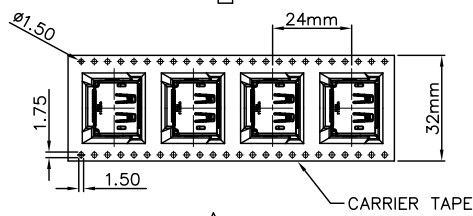
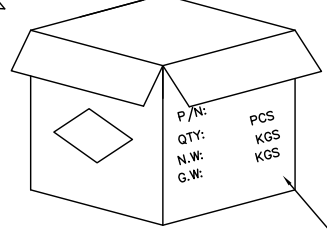


PULL PUT DIRECTION

- TAPE & PACKAGE :**
- MATERIAL :**
- CARRIER TAPE : PS
 - COVER TAPE: PE
 - REEL : PS
- QUANTITY:**
- 350 PCS/REEL
 - 10 REEL/CARTON: 3000PCS



- DIMENSION :**
- REEL SIZE :
DIA=380.0mm, W=32.0mm
- CARTON :
L=400mm, W=400mm, H=400mm



TOLERANCE .0= ± 0.25 .00= ± 0.15 .000= ± 0.05 ANG.= $\pm 3'$	DRAWER <i>Chen</i>	 ASTRON TECHNOLOGY CORP.	
	CHECK <i>Flony</i>		NAME Enh FS DP Receptacle Connector (Type1), SMT TYPE
APP'D <i>Flony</i>	PRODUCT SPEC. —		DRAW NO. R699FA20-XN101D-H
UNITS : mm 	SCALE NONE SIZE A4 SHEET 2 OF 2 REV. C		

F
E
D
C
B
A

1 2 3 4 5 6 7 8

1 2 3 4 5 6 7 8