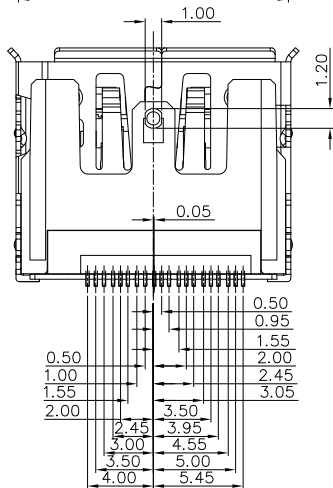
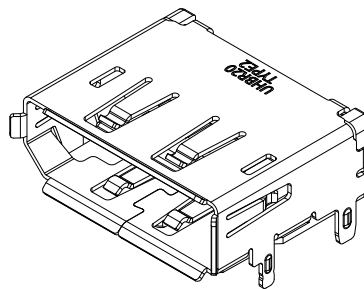
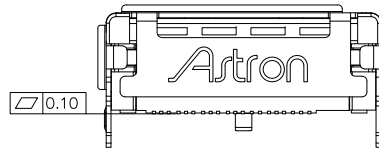
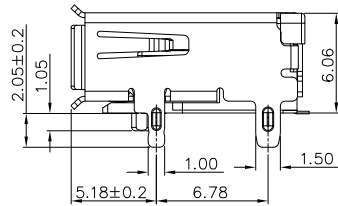
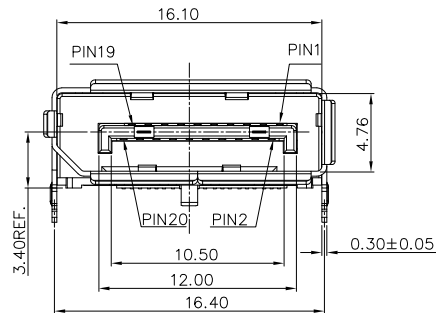
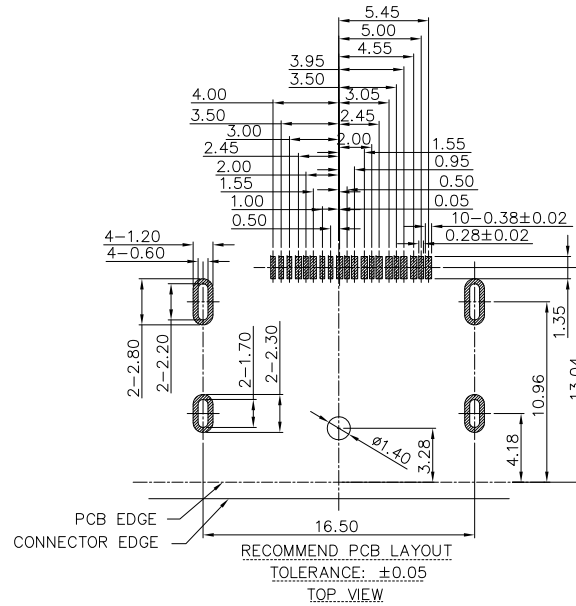
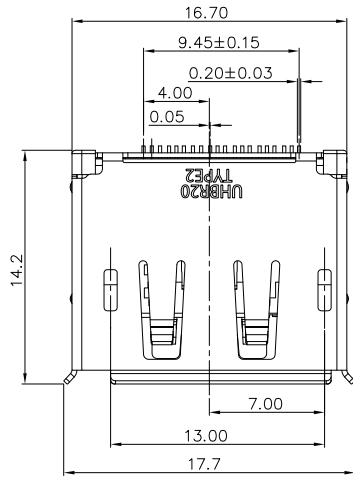


REV.	DESCRIPTION	DATE
3	MODIFY DRAWING	Dec. 20, 2022
4	ADD P/N	Feb. 21, 2023
A	RELEASED	Aug. 17, 2023



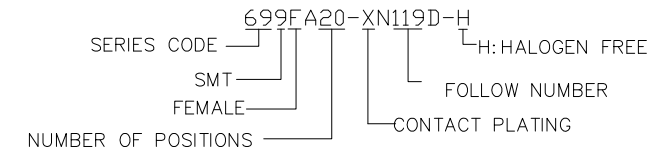
MATERIALS

- HOUSING : LCP (UL94V-0), BLACK.
- TERMINAL : BRASS, T=0.15mm
GOLD PLATED ON CONTACT AREA.
TIN PLATED ON SOLDER TAIL,
UNDER NICKEL PLATED.
- SHELL : STAINLESS STEEL, T=0.30mm, NICKEL PLATED.
- EMI : STAINLESS STEEL, T=0.12mm.

SPECIFICATION

- CURRENT RATING : 0.5A. MAX.
- DIELECTRIC WITHSTANDING VOLTAGE :
500V AC R.M.S. FOR ONE MINUTE.
- INSULATION RESISTANCE : 100MΩ MIN. AT 500V DC.
- CONTACT RESISTANCE : 30mΩ MAX.
- OPERATING TEMPERATURE : -25°C TO +85°C.
- DURABILITY : 10000 CYCLES.
- MATING FORCE : 4.5kgf MAX.
- UNMATING FORCE : 1.0kgf MIN.

PART NUMBER INFORMATION

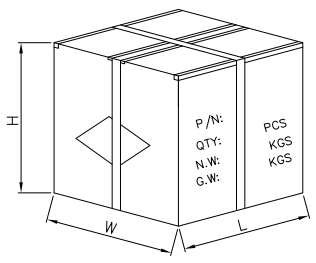
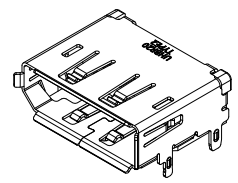
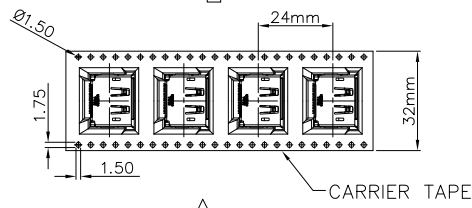
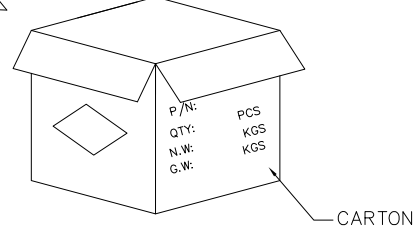
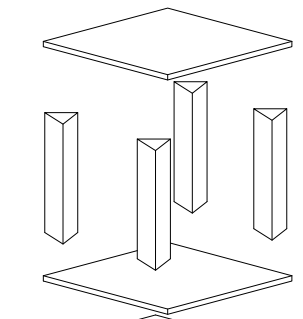
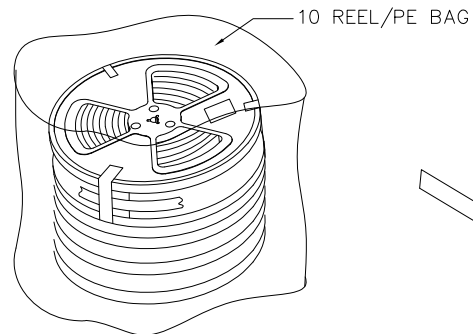
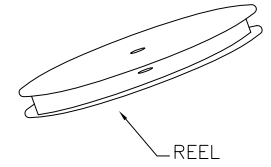
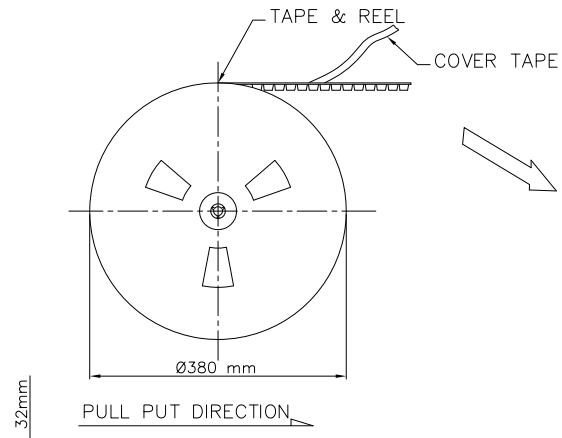
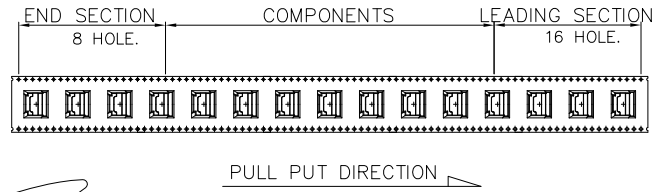


DESCRIPTION OF PLATING ON TERMINALS			
NO.	EXPLAIN	NO.	
0	GOLD FLASH	1	GOLD 5u"
3	GOLD 15u"	6	GOLD 30u"
GENERAL TOLERANCE		DRAWER <i>Chen</i>	
DIM.	.0 = ±0.25 .00 = ±0.15 .000 = ±0.05	CHECK <i>Stony</i>	
ANG. 0° = ±5° .0° = ±3° .00° = ±1°		APP'D <i>Stony</i>	
3rd ANGLE PROJECTION		PRODUCT SPEC.	
UNITS : mm		NAME	
SCALE SIZE		P/N.	
SHEET REV.		699FA20-XN119D-H	
NONE A4		14026 C NO.	

ASTRON
connectivity

CONFIDENTIAL

REV.	DESCRIPTION	DATE
3	MODIFY DRAWING	Dec. 20, 2022
4	ADD P/N	Feb. 21, 2023
A	RELEASED	Aug. 17, 2023



TAPE & PACKAGE :

MATERIAL :

- 1. CARRIER TAPE : PS
- 2. COVER TAPE: PE
- 3. REEL : PS

QUANTITY:

- 1. 300 PCS/REEL
- 2. 10 REEL/CARTON: 3000PCS

DIMENSION :

- REEL SIZE :
- DIA=380.0mm, W=32.0mm
- CARTON :
- L=400mm, W=400mm, H=400mm

GENERAL TOLERANCE		DRAWER <i>Chen</i>		ASTRON connectivity	
DIM.	.0 = ±0.25 .00 = ±0.15 .000 = ±0.05	CHECK <i>Stony</i>			
ANG.	0° = ±5° .0° = ±3° .00° = ±1°	APP'D <i>Stony</i>		NAME Enh FS DP Receptacle Connector (Type2), SMT TYPE	
3rd ANGLE PROJECTION 		PRODUCT SPEC.		P/N. 699FA20-XN119D-H	
UNITS : mm		CONFIDENTIAL		14026 C NO.	
SCALE	SIZE	SHEET	REV.		
NONE	A4	2 OF 2	A		