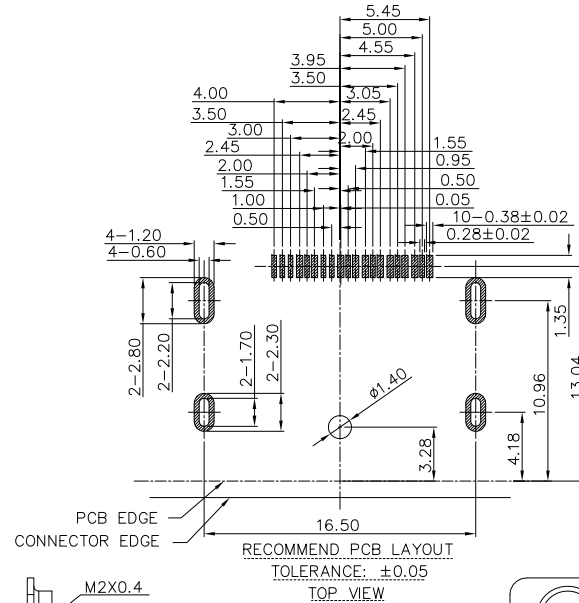
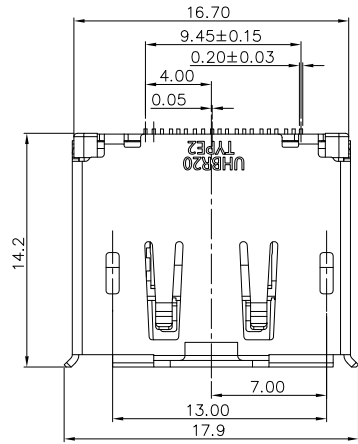


REV.	DESCRIPTION	DATE
1	PRELIMINARY	Feb. 14, 2023
2	ADD P/N	Feb. 20, 2023
A	RELEASED	Aug. 17, 2023

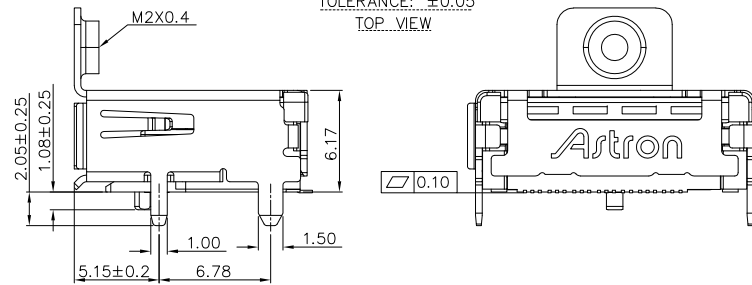
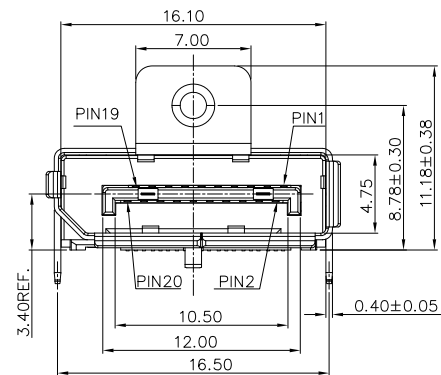


MATERIALS

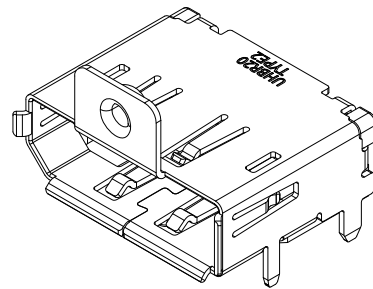
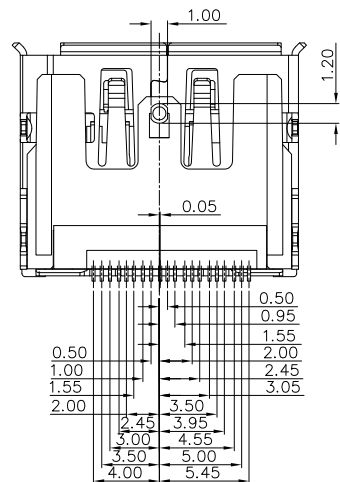
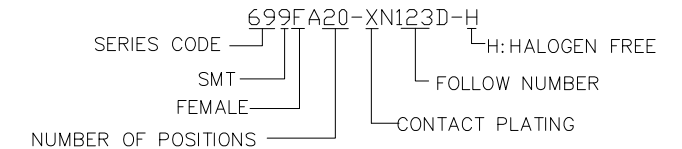
- HOUSING : LCP (UL94V-0), BLACK.
- TERMINAL : BRASS, T=0.15mm
GOLD PLATED ON CONTACT AREA.
TIN PLATED ON SOLDER TAIL,
UNDER NICKEL PLATED.
- SHELL : BRASS, T=0.40mm, NICKEL PLATED.
- EMI : STAINLESS STEEL, T=0.12mm.

SPECIFICATION

- CURRENT RATING : 0.5A. MAX.
- DIELECTRIC WITHSTANDING VOLTAGE :
500V AC R.M.S. FOR ONE MINUTE.
- INSULATION RESISTANCE : 100MΩ MIN. AT 500V DC.
- CONTACT RESISTANCE : 30mΩ MAX.
- OPERATING TEMPERATURE : -25°C TO +85°C.
- DURABILITY : 10000 CYCLES.
- MATING FORCE : 4.5kgf MAX.
- UNMATING FORCE : 1.0kgf MIN.

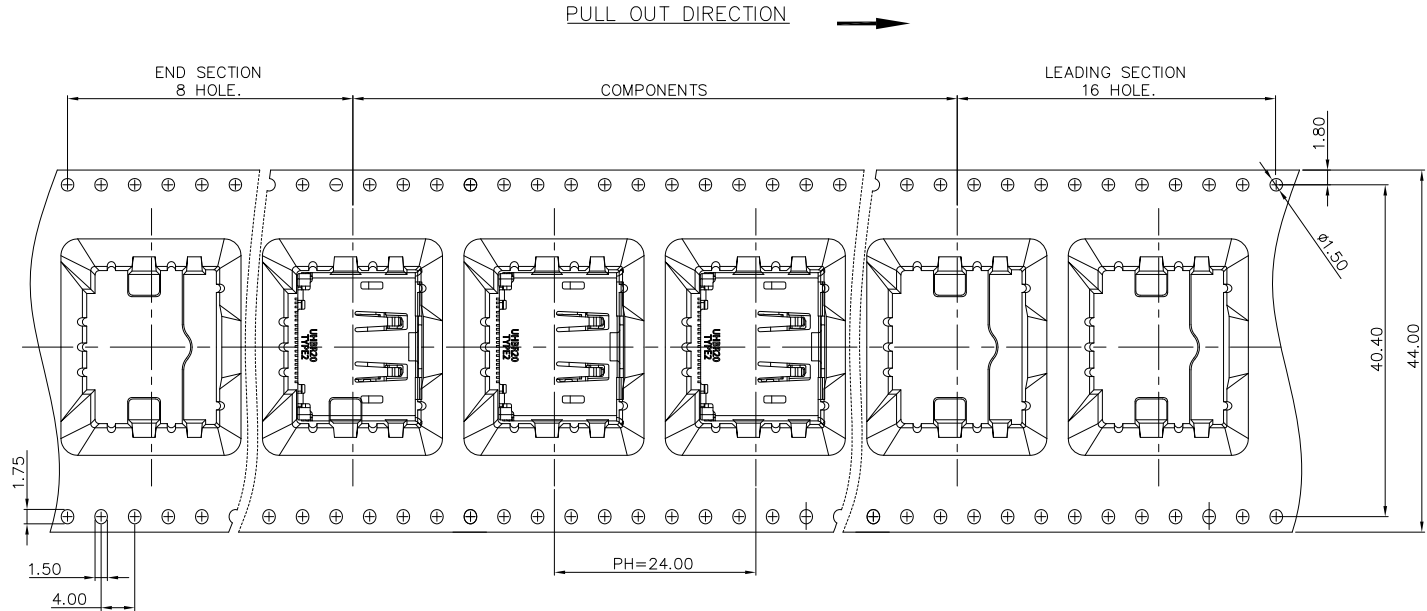


PART NUMBER INFORMATION



DESCRIPTION OF PLATING ON TERMINALS			
NO.	EXPLAIN	NO.	
0	GOLD FLASH	1	GOLD 3u"
3	GOLD 15u"	6	GOLD 30u"
GENERAL TOLERANCE		DRAWER: Chen	
DIM.	.0 = ±0.25 .00 = ±0.15 .000 = ±0.05	CHECK: Stony	
ANG.	0° = ±5° .0° = ±3° .00° = ±1°	APP'D: Stony	
3rd ANGLE PROJECTION		PRODUCT SPEC.	
UNITS : mm		NAME: Enh FS DP Receptacle Connector (Type2), SMT TYPE	
SCALE: NONE		P/N: 699FA20-XN123D-H	
SIZE: A4		CONFIDENTIAL	
SHEET: 1 OF 2		REV.: A	
		14026	
		C NO.	

REV.	DESCRIPTION	DATE
1	PRELIMINARY	Feb. 14, 2023
2	ADD P/N	Feb. 20, 2023
A	RELEASED	Aug. 17, 2023



PULL OUT DIRECTION →

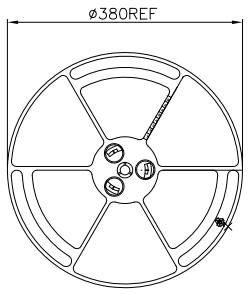
TAPE & REEL PACKAGE :

MATERIALS

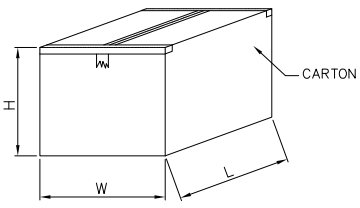
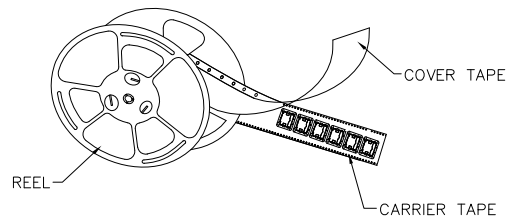
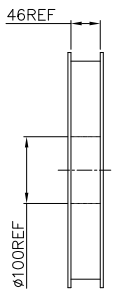
1. CARRIER TAPE: POLYSTYREN (PS)
2. COVER TAPE: POLYSTYREN (PS)
3. REEL: POLYSTYREN (PS)

QUANTITY

1. 250PCS PER REEL
2. 5 REEL PER CARTON(1250PCS PER CARTON)
(CARTON :L=400mm, W=400mm, H=270mm)



REEL FOR CARRIER TAPE



GENERAL TOLERANCE		DRAWER <i>Chen</i>		ASTRON connectivity	
DIM.	.0 = ±0.25	CHECK <i>Stony</i>			
	.00 = ±0.15	APP'D <i>Stony</i>			
	.000 = ±0.05	PRODUCT SPEC.			
ANG.		NAME		Enh FS DP Receptacle Connector (Type2), SMT TYPE	
0.° = ±5°		PRODUCT SPEC.		(SCREW THREAD M2)–8.78mm	
.0° = ±3°		CONFIDENTIAL		P/N. 699FA20–XN123D–H	
.00° = ±1°				14026	
3rd ANGLE PROJECTION		SHEET		8	
UNITS : mm		REV.			
SCALE		2 OF 2			
SIZE		A			
NONE		A4			